



接线端子选型手册

Terminal Selection Manual



浙江雷欣特科技有限公司
ZHEJIANG LEIXINTE TECHNOLOGY CO.,LTD.



科技无限 共创辉煌

Infinite Technology To Create Brilliant



公司简介

浙江雷欣特科技有限公司位于电器之都——柳市。公司始创于2008年，是一家专业设计、模具开发、制造、销售为一体的科技型企业。十几年的改善优化，公司建立了一套完善、规范的管理体系，并通过了ISO9001质量管理体系认证。产品符合欧盟ROHS环保要求，并通过了美国UL认证，欧盟CE安全认证。

公司主要生产的接线端子、冷压端子、铜管端子、绝缘端子、热缩端子、方形端子、尼龙端子、接插件、电缆附件、电力金具已超100个系列，3000个品种。产品广泛应用于家用电器、汽车、通讯、自动化、机械设备、医院设备、户外照明、造船、铁路、电力、通信、等等众多行业领域。

公司始终以创新为源动力，先后引进先进生产设备，检测设备。公司以“质量求生存，以科技求发展，以管理取效益，以信誉赢顾客”为质量方针，我们将竭诚欢迎国内外各界人士前来指导、洽谈、合作、共创事业的繁荣与发展。

About Us

Zhejiang Leixinte Technology Co., Ltd. was founded in 2008 and located in Liushi. Our company is a scientific and technological enterprise, which professionally specializes in design, development, manufacture and sales. We never stop improving and establish a completed and standard management system.

Our company produces over 100 series, 3000 varieties terminals and connectors, including Insulated Terminals, Nylon Terminals, Heat Shrink Terminals, Bare Terminals, Cable Lugs and Wire Accessories. They are widely used in all kinds of equipment, transportation, communications and other industries. Besides, they have passed ISO9001, ROHS, UL and CE.

Our company always keeps innovating and possess advanced equipment and testing equipment. "Quality for production. Technology for development. Management to gain benefits, and reputation to win customers" as the quality approach. We wholeheartedly welcome people come to exchange and cooperation!

公司理念

- 我们视品质为生命 —▶ 为客户提供优秀的产品
- 我们以客户为本 —▶ 用心服务是永久的承诺
- 我们重视合作 —▶ 友好合作是事业的基石
- 我们不断成长 —▶ 动力来源于持续改进

Company Philosophy

We regard the quality as life—to provide customers with excellent products
 We are customer oriented—wholehearted service is our permanent promise
 We attach importance to cooperation—friendly cooperation is the basic of our career
 We develop constantly—the motivation comes from continuous improvement



订制各种端子组合套装

Customized Kinds Of Terminal Kits





产品总述

Product Overview 01

绝缘端子系列

Insulated Terminal Series 04-23

叉形绝缘端子 PVC-Insulated Fork Terminal	05
圆形绝缘端子 PVC-Insulated Ring Terminal	08
片形绝缘端子 PVC-Insulated Blade Terminal	13
针形绝缘端子 PVC-Insulated Pin Terminal	14
凸形绝缘端子 PVC-Insulated Convex Fork Terminal	15
钩形绝缘端子 PVC-Insulated Hook Terminal	16
锁扣形绝缘端子 PVC-Insulated Lock Fork Terminal	17
(短)形全绝缘中间接头 PVC-Insulated Short Butt Connector	18
(长)形全绝缘中间接头 PVC-Insulated Long Butt Connector	18
凹形绝缘端子 PVC-Insulated Convex Blade Terminal	19
肩背形(公母)绝缘接头 PVC-Insulated Piggy Male & Female Connector	19
子弹形(公)绝缘接头 PVC-Insulated Male Bullet Connector	20
子弹形(母)绝缘接头 PVC-Insulated Female Bullet Connector	20
母预绝缘接头 PVC-Insulated Female Connector	21
公预绝缘接头 PVC-Insulated Male Connector	22
母全绝缘接头 Fully-PVC-Insulated Female Connector	23

易捷形绝缘端子系列

Easy-Joint Insulated Terminal Series 24-33

(易捷形)叉形绝缘端子 Easy-Joint PVC-Insulated Fork Terminal	25
(易捷形)圆形绝缘端子 Easy-Joint PVC-Insulated Ring Terminal	27
(易捷形)片形绝缘端子 Easy-Joint PVC-Insulated Blade Terminal	30
(易捷形)针形绝缘端子 Easy-Joint PVC-Insulated Pin Terminal	31
(易捷形)母绝缘接头 Easy-Joint PVC-Insulated Female Connector	32
(易捷形)公绝缘接头 Easy-Joint PVC-Insulated Male Connector	33

尼龙绝缘端子系列

Nylon-Insulated Terminal Series 34-57

叉形(尼龙)绝缘端子 Nylon-Insulated Fork Terminal	35
圆形(尼龙)绝缘端子 Nylon-Insulated Ring Terminal	38
片形(尼龙)绝缘端子 Nylon-Insulated Blade Terminal	43
针形(尼龙)绝缘端子 Nylon-Insulated Pin Terminal	44
凸形(尼龙)绝缘端子 Nylon-Insulated Convex Fork Terminal	45
钩形(尼龙)绝缘端子 Nylon-Insulated Hook Terminal	46
锁扣形(尼龙)绝缘端子 Nylon-Insulated Lock Fork Terminal	47
凹形(尼龙)绝缘端子 Nylon-Insulated Convex Blade Terminal	48
肩背形公母(尼龙)绝缘接头 Nylon-Insulated Piggy Male & Female Connector	48
旗形(尼龙)母绝缘接头 Nylon-Insulated Flag Terminal	49
母(尼龙)绝缘接头 Nylon-Insulated Female Connector	50
公(尼龙)绝缘接头 Nylon-Insulated Male Connector	51
母(尼龙)全绝缘接头 Fully-Nylon-Insulated Female Connector	52
公(尼龙)全绝缘接头 Fully-Nylon-Insulated Male Connector	52
子弹形公(尼龙)全绝缘接头 Fully-Nylon-Insulated Male Bullet Connector	56
子弹形母(尼龙)全绝缘接头 Fully-Nylon-Insulated Female Bullet Connector	56
长形(尼龙)全绝缘中间接头 Nylon-Insulated Long Butt Connector	57

裸端子系列

Non-Insulated Terminal Series 58-98

叉形裸端子 Non-Insulated Fork Terminal	59
叉形裸端子(90D) Non-Insulated Fork Terminal 90-Degree	62
圆形裸端子 Non-Insulated Ring Terminal	65
圆形裸端子(90D) Non-Insulated Ring Terminal 90-Degree	76
片形裸端子 Non-Insulated Blade Terminal	82
片形裸端子(90D) Non-Insulated Blade Terminal 90-Degree	83
针形裸端子 Non-Insulated Pin Terminal	84

针形裸端子 (90D) Non-Insulated Pin Terminal 90-Degree	85
凸形裸端子 Non-Insulated Convex Fork Terminal	87
钩形裸端子 Non-Insulated Hook Terminal	88
凹形裸端子 Non-Insulated Convex Blade Terminal	89
(C45N) 铜管端子 C45N Cable Lug	89
锁扣形裸端子 Non-Insulated Lock Fork Terminal	90
中间裸接头 (长形) Non-Insulated Long Butt Connector	91
中间裸接头 (短形) Non-Insulated Short Butt Connector	92
高压铜管端子 BL Cable Lug	93
方形裸端子 Non-Insulated Square Terminal	94
旗形裸端子 Non-Insulated Flag Terminal	98

铜管端子系列 SC Cable Lug Series 99-128

铜管端子 SC Cable Lug	100
铜管端子 (无孔) SC-N Cable Lug	105
铜管端子 (T形) T Cable Lug	110
美规铜管端子 AWG Cable Lug	115
铜管端子 (喇叭口) LT Bell-Mouth Cable Lug	117
高压 (单孔)铜管端子 CL-H Cable Lug	119
高压 (双孔)铜管端子 CL-2H Cable Lug	123
C形端子 C-Type Cable Lug	127
DT系列铜接线端子 Copper Connecting Terminals	128
双压式铜套 Double Crimp Tube	128

管形端子系列 Ferrule Terminal Series 129-135

单线管形绝缘端子 Ferrule Terminal	130
双线管形绝缘端子 Twin Terminal	132
管形裸端子 Non-Insulated Ferrule Terminal	133

热缩端子系列 Heat Shrink Terminal Series 136-154

BHT防水热缩中接端子 Heat Shrink Butt Connector	137
BHTD高强度防水热缩中间端子 High Strength Heat Shrink Butt Connector	138
HXT-H 高抗拉防水焊锡环热缩中间管 High Strength Heat Shrink Solder Connector	139
HXT防水焊锡环热缩中间管 Heat Shrink Solder Connector	140
叉形热缩防水端子 Heat Shrink Fork Terminal	141
凹形热缩防水端子 Heat Shrink Convex Blade Terminal	142
圆形热缩防水端子 Heat Shrink Ring Terminal	143
片形热缩防水端子 Heat Shrink Blade Terminal	146
针形热缩防水端子 Heat Shrink Pin Terminal	147
凸形热缩防水端子 Heat Shrink Convex Fork Terminal	148
肩背形 (公母) 热缩防水接头 Heat Shrink Piggy Male & Female Connector	148
钩形热缩防水端子 Heat Shrink Hook Terminal	149
锁扣形热缩防水端子 Heat Shrink Lock Fork Terminal	150
子弹形 (公) 热缩防水接头 Heat Shrink Male Bullet Connector	151
子弹形 (母) 热缩防水接头 Fully Heat Shrink Female Bullet Connector	151
(母) 热缩防水接头 Heat Shrink Female Connector	152
(公) 热缩防水接头 Heat Shrink Male Connector	153
(母) 全绝缘热缩防水接头 Fully Heat Shrink Female Connector	154

双压式绝缘端子(PVC)系列 PVC-Insulated Double Crimp Terminal Series 155-169

叉形 (双压式) 绝缘端子 PVC-Insulated Double Crimp Fork Terminal	156
凹形 (双压式) 绝缘端子 PVC-Insulated Double Crimp Convex Blade Terminal	157
圆形 (双压式) 绝缘端子 PVC-Insulated Double Crimp Ring Terminal	158
片形 (双压式) 绝缘端子 PVC-Insulated Double Crimp Blade Terminal	161
针形 (双压式) 绝缘端子 PVC-Insulated Double Crimp Pin Terminal	162
凸形 (双压式) 绝缘端子 PVC-Insulated Double Crimp Convex Fork Terminal	163

肩背形公母 (双压式) 绝缘接头 PVC-Insulated Double Crimp Piggy Male & Female Connector	163
钩形 (双压式) 绝缘端子 PVC-Insulated Double Crimp Hook Terminal	164
锁扣形 (双压式) 绝缘端子 PVC-Insulated Double Crimp Lock Fork Terminal	165
子弹形公 (双压式) 绝缘接头 PVC-Insulated Double Crimp Male Bullet Connector	166
子弹形母 (双压式) 绝缘接头 PVC-Insulated Double Crimp Female Bullet Connector	166
母 (双压式) 绝缘接头 PVC-Insulated Double Crimp Female Connector	167
公 (双压式) 绝缘接头 PVC-Insulated Double Crimp Male Connector	168
母 (双压式) 全绝缘接头 Fully-PVC-Insulated Double Crimp Female Connector	169

尼龙双压绝缘端子系列 170-186

Nylon-Insulated Double Crimp Terminal Series

叉形 (双压式尼龙) 绝缘端子 Nylon-Insulated Double Crimp Fork Terminal	171
凹形 (双压式尼龙) 绝缘端子 Nylon-Insulated Double Crimp Convex Blade Terminal	172
圆形 (双压式尼龙) 绝缘端子 Nylon-Insulated Double Crimp Ring Terminal	173
片形 (双压式尼龙) 绝缘端子 Nylon-Insulated Double Crimp Blade Terminal	176
针形 (双压式尼龙) 绝缘端子 Nylon-Insulated Double Crimp Pin Terminal	177
凸形 (双压式尼龙) 绝缘端子 Nylon-Insulated Double Crimp Convex Fork Terminal	178
肩背形公母 (双压式尼龙) 绝缘接头 Nylon-Insulated Double Crimp Piggy Male & Female Connector	178
钩形 (双压式尼龙) 绝缘端子 Nylon-Insulated Double Crimp Hook Terminal	179
锁扣形 (双压式尼龙) 绝缘端子 Nylon-Insulated Double Crimp Lock Fork Terminal	180
母 (双压式尼龙) 绝缘接头 Nylon-Insulated Double Crimp Female Connector	181
公 (双压式尼龙) 绝缘接头 Nylon-Insulated Double Crimp Male Connector	182
母 (双压式尼龙) 全绝缘接头 Fully-Nylon-Insulated Double Crimp Female Connector	183
汽车灯座 Auto Lamp Holders	183
公 (双压式尼龙) 全绝缘接头 Fully-Nylon-Insulated Double Crimp Male Connector	184
肩背形公母 (双压式尼龙) 全绝缘接头 Nylon-Insulated Double Crimp Piggy Male & Female Connector	184
子弹形母 (双压式尼龙) 绝缘接头 Fully-Nylon-Insulated Double Crimp Female Bullet Connector	185
子弹形公 (双压式尼龙) 绝缘接头 Fully-Nylon-Insulated Double Crimp Male Bullet Connector	185

端子 (德标)系列 187-186

Terminal (DIN Type)

叉形绝缘端子 (德标) PVC-Insulated Fork Terminal (DIN Type)	188
圆形绝缘端子 (德标) PVC-Insulated Ring Terminal (DIN Type)	189
叉形尼龙绝缘端子 (德标) Nylon-Insulated Fork Terminal (DIN Type)	191
圆形尼龙绝缘端子 (德标) Nylon-Insulated Ring Terminal (DIN Type)	192
叉形裸端子 (德标) Non-Insulated Fork Terminal (DIN Type)	194
圆形裸端子 (德标) Non-Insulated Ring Terminal (DIN Type)	195
叉形双压式绝缘端子 (德标) PVC-Insulated Double Crimp Fork Terminal (DIN Type)	199
圆形双压式绝缘端子 (德标) PVC-Insulated Double Crimp Ring Terminal (DIN Type)	200
叉形双压式尼龙绝缘端子 (德标) Nylon-Insulated Double Crimp Fork Terminal (DIN Type)	201
圆形双压式尼龙绝缘端子 (德标) Nylon-Insulated Double Crimp Ring Terminal (DIN Type)	202

配线器材料系列 203-209

Wire Accessories Series

快速连接器 Fast Connector	204
终端绝缘接头 Closed End Connector	205
螺旋式压线帽 Wire Nut	206
配线固定纽 Cable Clamp	206
扎带固定座 Tie Mount	207
扣式塞头 Hole Plug	208
扣式护线套 Cable Snap	208
绝缘软管套 Soft Sleeve	209

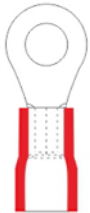
产品总述

Product Overview



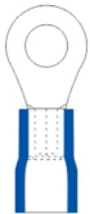
NB类:端头(裸)尾部焊缝

NB Series: End of the terminal is soldered



V类:端头尾部套PVC绝缘套

V Series: End of the terminal with PVC sleeve



NY类:端头尾部套PA绝缘套

NY Series: End of the terminal with PA sleeve



D类:端头尾部镶铜套再套PVC绝缘套

D Series: End of the terminal with copper tube and PVC sleeve



NYD类:端头尾部镶铜套再套PA绝缘套

NYD Series: End of the terminal with copper tube and PA sleeve

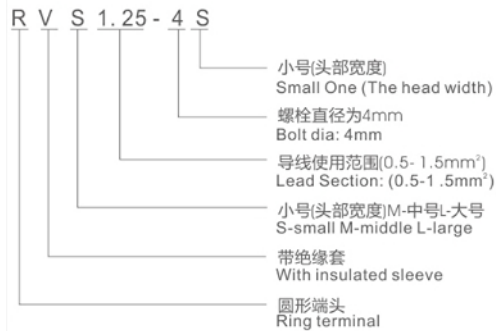


NID类:端头尾部镶铜套再套PC绝缘套

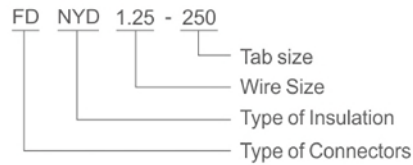
NID Series: End of the terminal with copper tube and PC sleeve

命名规则 Naming rules

端头类型说明 Terminal Introduction












连接器类型说明 Connectors Introduction



说明 Description

导线号 Cable No.	使用导线截面 Lead Section(mm ²)	美国线规 A.W.G
1.25	0.5-1.5	22-16
2	1.5-2.5	16-14
3.5	2.5-4	14-12
5.5	4-6	12-10
8	6-10	8
14	10-16	6
22	16-25	4
38	25-35	2
60	50-70	1/0
70	70-95	2/0
80	95-120	3/0
100	120- 150	4/0
150	150- 185	250/300MCM
180	185-240	300/350MCM
200	240-300	400/500MCM
325	300-400	500/600MCM

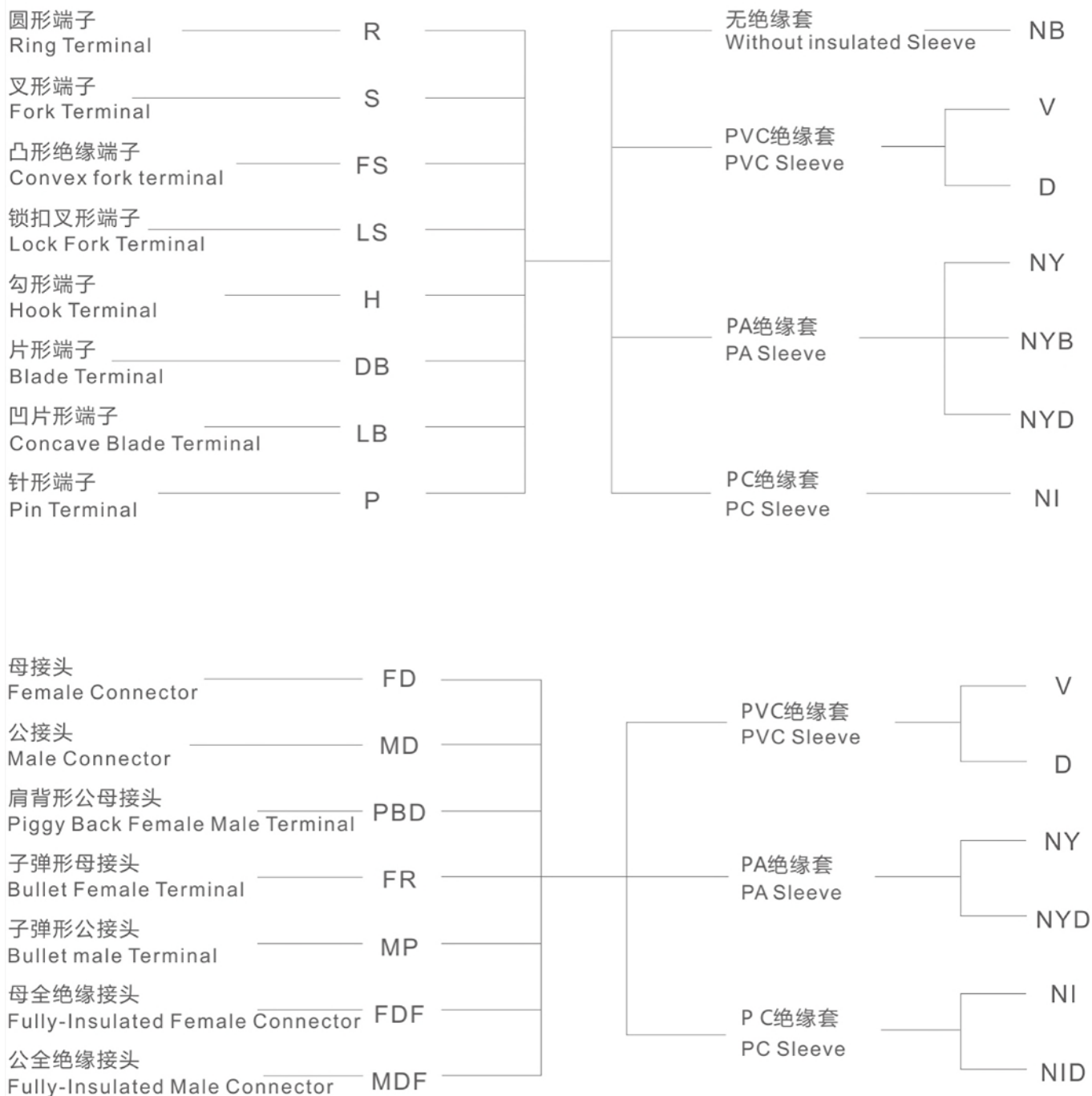
螺栓通过口直径 Bolt Dia.(mm)	美制螺栓号 USA Bolt No.
3.2	#4
3.7	#6
4.3	#8
5.3	#10
6.4	1/4
8.4	5/16
10.5	3/8
11.0	7/6
13.0	1/2
15.0	9/16
17.0	5/8
18.0	11/16
21.0	3/4
23.0	7/8
25.0	15/16
28.0	1

系列 Series	接插尺寸 Tab Size(w)	
	(Inch)	(mm)
110	 .110×.020 "	2.8×0.5
	 .110×.032 "	2.8×0.8
187	 .187×.020 "	4.75×0.5
	 .187×.032 "	4.75×0.8
205	 .205×.020 "	5.2×0.5
	 .205×.032 "	5.2×0.8
250	 .250×.032 "	6.35×0.8
312	 .312×.032 "	8.0×0.8
375	 .375×.047 "	9.4×1.2



选择端头类型和端头尾部类型

Selecting Terminal And Terminal End Type



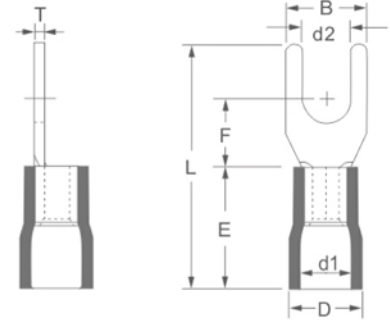


绝缘端子系列

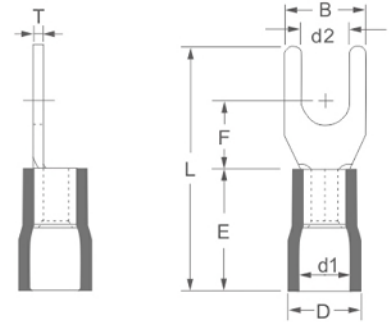
Insulated Terminal Series



叉形绝缘端子 PVC-Insulated Fork Terminal

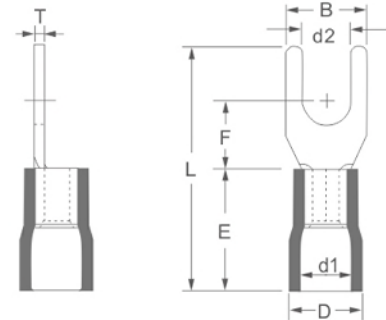


型号 ITEM NO.	STUD SIZE 美制螺栓号 螺栓口直径		尺寸 DIMENSION mm							包装 PCS/ PACK	颜色 COLOR	说明 EXPLANATION
	American	Metric d2	B	F	L	E	D	d1	T			
SV1.25-3	#4	3.2	5.7	6.5	21.5	10.3	6.0	4.6	0.7	1000	● 红 Red	导线截面:0.5~1.5mm ² (美国线规22~16) 最大电流: I _{max} =19A 材质:紫铜 绝缘套管: PVC
SV1.25-3.5S	#6	3.7										
SV1.25-3.5L	#6	3.7	6.4									
SV1.25-4S	#8	4.3										
SV1.25-4M	#8	4.3	7.2									
SV1.25-4L	#8	4.3										
SV1.25-5S	#10	5.3	8.1									
SV1.25-5L	#10	5.3										
SV1.25-6S	1/4	6.5	9.5									
SV1.25-6L	1/4	6.5										
SV1.25-8	5/16	8.5	12.0	11.0	27.5							
SV2-3	#4	3.2	5.7	6.5	21.5	10.3	6.6	5.2	0.8	1000	● 蓝 Blue	导线截面:1.5~2.5mm ² (美国线规16~14) 最大电流: I _{max} =27A 材质:紫铜 绝缘套管: PVC
SV2-3.5S	#6	3.7										
SV2-3.5L	#6	3.7	6.5									
SV2-4S	#8	4.3										
SV2-4M	#8	4.3	7.2									
SV2-4L	#8	4.3										
SV2-5S	#10	5.3	8.2									
SV2-5L	#10	5.3										
SV2-6S	1/4	6.5	9.5									
SV2-6L	1/4	6.5										
SV2-8	5/16	8.5	12.0	11.0	27.5							
SV2-8	5/16	8.5	14.0	12.5	28.7							

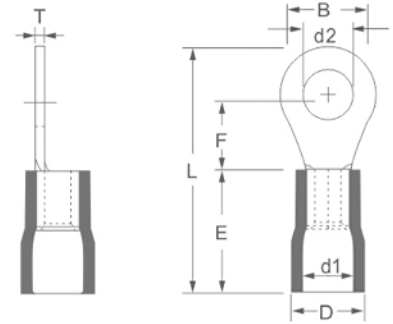
叉形绝缘端子
PVC-Insulated Fork Terminal


型号 ITEM NO.	STUD SIZE 美制螺栓号 螺栓口直径		尺寸 DIMENSION mm							包装 PCS/ PACK	颜色 COLOR	说明 EXPLANATION
	American	Metric d2	B	F	L	E	D	d1	T			
SV3.5-3	#4	3.2	8.0	7.0	25.3	13.0	7.8	6.4	1.0	500	● 黑 Black	导线截面:2.5~4mm ² (美国线规14~12) 最大电流: I _{max} =37A 材质:紫铜 绝缘套管: PVC
SV3.5-3.5	#6	3.7										
SV3.5-4	#8	4.3										
SV3.5-5S	#10	5.3										
SV3.5-6S	1/4	6.5	9.0	7.5	26.0							
SV3.5-6L	1/4	6.5	12.0	9.1	28.5							
SV3.5-8	5/16	8.5	14.0	11.5	30.8							
SV3.5-10	3/8	10.5	17.5	12.5	33.5							
SV5.5-3	#4	3.2	8.3	7.5	26.0	13.3	8.2	6.5	1.0	500	● 黄 Yellow	导线截面:4~6mm ² (美国线规12~10) 最大电流: I _{max} =48A 材质:紫铜 绝缘套管: PVC
SV5.5-3.5	#6	3.7										
SV5.5-4S	#8	4.3	8.9		26.5							
SV5.5-4L	#8	4.3										
SV5.5-5	#10	5.3	9.0	26.0								
SV5.5-6S	1/4	6.5										
SV5.5-6L	1/4	6.5	12.0	12.0	31.6							
SV5.5-8	5/16	8.5	14.0									
SV5.5-10	3/8	10.5	17.5			12.5	33.5					

叉形绝缘端子 PVC-Insulated Fork Terminal

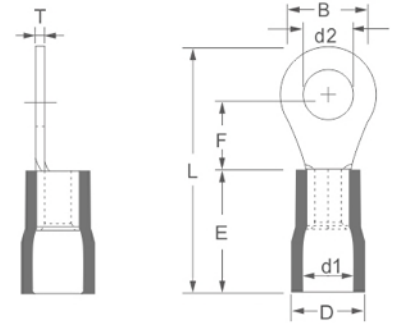


型号 ITEM NO.	STUD SIZE 美制螺栓号 螺栓口直径		尺寸 DIMENSION mm							包装 PCS/ PACK	颜色 COLOR	说明 EXPLANATION			
	American	Metric d2	B	F	L	E	D	d1	T						
SV8-4S	#8	4.3	8.0	7.2	30.0	15.5	10.2	8.3	1.2	500	● 红 Red	导线截面:8~10mm ² (美国线规8) 最大电流: I _{max} =62A 材质:紫铜 绝缘套管: PVC Lead Section: 8~10mm ² (A.W. G.8) Max Current:I _{max} =62A Material;Copper Insulation: PVC			
SV8-4M	#8	4.3	9.0	7.5	30.5										
SV8-4L	#8	4.3	10.5	9.0	30.0										
SV8-5S	#10	5.3	9.0	7.5	28.2										
SV8-5M	#10	5.3			30.5										
SV8-5L	#10	5.3	10.8	7.2	30.0										
SV8-6	1/4	6.5			11.0								35.0		
SV8-8	5/16	8.5												14.5	
SV8-10	3/8	10.5	16.0												
SV14-4	#8	4.3	9.0	12.0	37.8								21.5	12.0	10.5
SV14-5	#10	5.3	11.0	10.2	38.7										
SV14-6	1/4	6.5			10.7	39.0									
SV14-8	5/16	8.5	13.8												
SV14-10	3/8	10.5	15.9												
SV22-5	#10	5.3	12.8	13.5	44.5	23.5	15.8	13.3	1.8	100	● 黄 Yellow	导线截面:16~25mm ² (美国线规4) 最大电流: I _{max} =115A 材质:紫铜 绝缘套管: PVC Lead Section: 16~25mm ² (A.W. G.4) Max Current:I _{max} =115A Material;Copper Insulation: PVC			
SV22-6	1/4	6.5													
SV22-8S	5/16	8.5													
SV22-8	5/16	8.5											16.5	13.7	45.0
SV22-10	3/8	10.5													

圆形绝缘端子
PVC-Insulated Ring Terminal


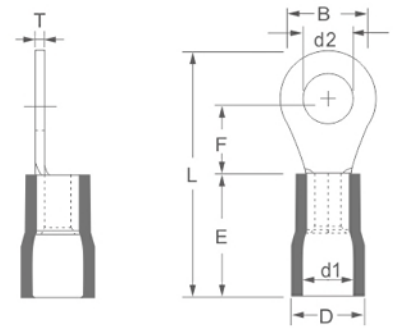
型号 ITEM NO.	STUD SIZE 美制螺栓号 螺栓口直径		尺寸 DIMENSION mm							包装 PCS/ PACK	颜色 COLOR	说明 EXPLANATION
	American	Metric d2	B	F	L	E	D	d1	T			
RV1.25-3	#4	3.2	5.7	5.0	18.3	10.3	6.0	4.6	0.7	1000	● 红 Red	导线截面:0.5~1.5mm ² (美国线规22~16) 最大电流: I _{max} =19A 材质:紫铜 绝缘套管: PVC Lead Section: 0.5~1.5mm ² (A.W. G.22-16) Max Current:I _{max} =19A Material:Copper Insulation: PVC
RV1.25-3.5S	#6	3.7										
RV1.25-3.5M	#6	3.7										
RV1.25-3.5L	#6	3.7	6.6	6.3	20.0							
RV1.25-4S	#8	4.3	6.6	6.3	20.0							
RV1.25-4L	#8	4.3	8.0	7.0	21.3							
RV1.25-5S	#10	5.3										
RV1.25-5L	#10	5.3	9.5	7.5	22.5							
RV1.25-5LL	#10	5.3	11.6	11.3	27.3							
RV1.25-6S	1/4	6.5	9.5	7.5	22.5							
RV1.25-6L	1/4	6.5	11.6	11.3	27.3							
RV1.25-8	5/16	8.5										
RV1.25-8L	5/16	8.5	13.7	13.9	31.2							
RV1.25-10	3/8	10.5										
RV1.25-10L	3/8	10.5										
RV1.25-12	1/2	13.0	18.0	15.0	34.3							
RV1.25-14	9/16	15.0										
RV1.25-16	5/8	17.0										
RV1.25-18	11/16	19.0										
RV1.25-20	3/4	21.0	27.0	21.0	44.8					500		

圆形绝缘端子 PVC-Insulated Ring Terminal



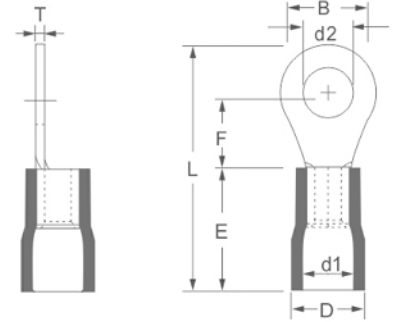
绝缘端子系列
Insulated Terminal Series

型号 ITEM NO.	STUD SIZE 美制螺栓号 螺栓口直径		尺寸 DIMENSION mm							包装 PCS/ PACK	颜色 COLOR	说明 EXPLANATION
	American	Metric d2	B	F	L	E	D	d1	T			
RV2-3	#4	3.2	6.6	4.3	17.8	10.3	6.6	5.2	0.8	1000	● 蓝 Blue	导线截面:1.5~2.5mm ² (美国线规16~14) 最大电流: I _{max} =27A 材质:紫铜 绝缘套管: PVC Lead Section: 1.5~2.5mm ² (A.W. G.16-14) Max Current:I _{max} =27A Material:Copper Insulation: PVC
RV2-3.5S	#6	3.7		6.3	19.8							
RV2-3.5M	#6	3.7		7.4	21.8							
RV2-3.5L	#6	3.7	8.5	7.4	21.8							
RV2-4S	#8	4.3	6.6	6.3	19.8							
RV2-4L	#8	4.3	8.5	7.4	21.8							
RV2-5S	#10	5.3	9.5	7.4	22.3							
RV2-5L	#10	5.3	12.0	11.0	26.8							
RV2-6S	1/4	6.5	13.6	13.9	30.8							
RV2-6L	1/4	6.5	18.2	15.0	34.6							
RV2-8	5/16	8.5	27.0	21.0	44.6							
RV2-8L	5/16	8.5	27.0	21.0	44.6							
RV2-10	3/8	10.5	27.0	21.0	44.6							
RV2-10L	3/8	10.5	27.0	21.0	44.6							
RV2-12	1/2	13.0	27.0	21.0	44.6							
RV2-14	9/16	15.0	27.0	21.0	44.6							
RV2-16	5/8	17.0	27.0	21.0	44.6							
RV2-18	11/16	19.0	27.0	21.0	44.6							
RV2-20	3/4	21.0	27.0	21.0	44.6							

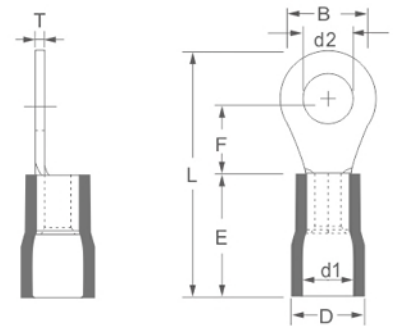
圆形绝缘端子
 PVC-Insulated Ring Terminal


型号 ITEM NO.	STUD SIZE 美制螺栓号 螺栓口直径		尺寸 DIMENSION mm							包装 PCS/ PACK	颜色 COLOR	说明 EXPLANATION
	American	Metric d2	B	F	L	E	D	d1	T			
RV3.5-3	#4	3.2	8.0	8.0	25.0	13.0	7.8	6.4	1.0	500	● 黑 Black	导线截面:2.5~4mm ² (美国线规14~12) 最大电流: I _{max} =37A 材质:紫铜 绝缘套管: PVC
RV3.5-3.5	#6	3.7										
RV3.5-4	#8	4.3										
RV3.5-4M	#8	4.3	9.5	8.3	27.0							
RV3.5-5S	#10	5.3	8.0	8.0	25.0							
RV3.5-5M	#10	5.3	9.5	8.3	27.0							
RV3.5-5L	#10	5.3	12.0	9.5	28.5							
RV3.5-6	1/4	6.5										
RV3.5-8	5/16	8.5	15.0	13.5	34.0							
RV3.5-10	3/8	10.5										
RV3.5-12	1/2	13.0										
RV5.5-3	#4	3.2	7.2	6.0	22.9	13.3	8.2	6.5	1.0	500	● 黄 Yellow	导线截面:4~6mm ² (美国线规12~10) 最大电流: I _{max} =48A 材质:紫铜 绝缘套管: PVC
RV5.5-3.5	#6	3.7										
RV5.5-4S	#8	4.3										
RV5.5-4L	#8	4.3	9.5	8.2	26.2							
RV5.5-5	#10	5.3										
RV5.5-6	1/4	6.5	12.0	10.5	29.6							
RV5.5-6M	1/4	6.5		13.0	32.0							
RV5.5-8	5/16	8.5	15.0	13.5	34.0							
RV5.5-10	3/8	10.5										
RV5.5-12	1/2	13.0										
RV5.5-14	9/16	15.0	32.0	25.2	54.3	200						
RV5.5-16	5/8	17.0										
RV5.5-18	11/16	19.0										
RV5.5-20	3/4	21.0										

圆形绝缘端子 PVC-Insulated Ring Terminal

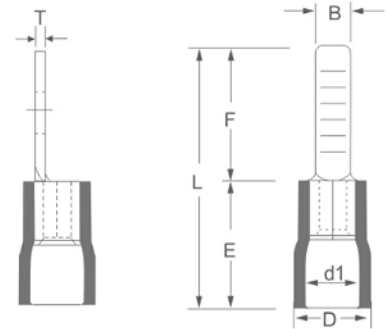


型号 ITEM NO.	STUD SIZE 美制螺栓号 螺栓口直径		尺寸 DIMENSION mm							包装 PCS/ PACK	颜色 COLOR	说明 EXPLANATION
	American	Metric d2	B	F	L	E	D	d1	T			
RV8-4S	#8	4.3	8.8	10.5	30.6	15.5	10.2	8.3	1.2	500	● 红 Red	导线截面:6~10mm ² (美国线规8) 最大电流: I _{max} =62A 材质:紫铜 绝缘套管: PVC
RV8-4L	#8	4.3	12.0	9.3	31.0							
RV8-5S	#10	5.3	8.8	10.5	30.6							
RV8-6S	1/4	6.5	12.0	9.3	31.0							
RV8-8	5/16	8.5	15.0	13.8	36.8							
RV8-10	3/8	10.5										
RV8-12	1/2	13.0	20.0	15.0	40.2							
RV8-14	9/16	15.0	31.7	25.5	56.8							
RV8-16	5/8	17.0										
RV8-18	11/16	19.0										
RV8-20	3/4	21.0										
RV14-4	#8	4.3	12.0	13.3	40.5	21.5	12.0	10.5	1.5	200	● 蓝 Blue	导线截面:10~16mm ² (美国线规6) 最大电流: I _{max} =88A 材质:紫铜 绝缘套管: PVC
RV14-5SS	#10	5.3	12.1	11.5	38.0							
RV14-5S	#10	5.3	12.0	13.3	40.5							
RV14-5L	#10	5.3	16.0	14.2	43.5							
RV14-6SS	1/4	6.5	12.1	11.5	38.0							
RV14-6S	1/4	6.5	12.0	13.3	40.5							
RV14-6L	1/4	6.5	16.0	14.2	43.5							
RV14-8	5/16	8.5										
RV14-10	3/8	10.5										
RV14-12	1/2	13.0										
RV14-14	9/16	15.0	31.7	25.5	62.0							
RV14-16	5/8	17.0										
RV14-18	11/16	19.0										
RV14-20	3/4	21.0										

圆形绝缘端子
PVC-Insulated Ring Terminal


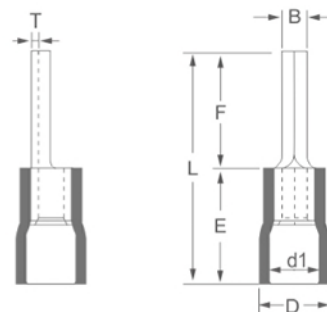
型号 ITEM NO.	STUD SIZE 美制螺栓号 螺栓口直径		尺寸 DIMENSION mm							包装 PCS/ PACK	颜色 COLOR	说明 EXPLANATION			
	American	Metric d2	B	F	L	E	D	d1	T						
RV22-4S	#8	4.3	12.1	14.5	44.2	23.5	15.8	13.3	1.8	200	● 黄 Yellow	导线截面:16~25mm ² (美国线规4) 最大电流: I _{max} =115A 材质:紫铜 绝缘套管: PVC			
RV22-5S	#10	5.3													
RV22-5L	#10	5.3	16.5	13.5	44.5										
RV22-6S	1/4	6.5	12.1	14.5	44.2										
RV22-6L	1/4	6.5	16.5	13.5	44.5										
RV22-8	5/16	8.5													
RV22-10	3/8	10.5	31.7	24.5	63.0										
RV22-12	1/2	13.0											22.0	19.7	53.8
RV22-14	9/16	15.0											28.0	17.4	53.0
RV22-16	5/8	17.0													
RV22-18	11/16	19.0													
RV22-20	3/4	21.0													
RV38-5	#10	5.3	15.3	17.4	53.0	28.0	18.8	13.5	1.8	100	● 红 Red	导线截面:30~50mm ² (美国线规2) 最大电流: I _{max} =160A 材质:紫铜 绝缘套管: PVC			
RV38-6S	1/4	6.5													
RV38-6L	1/4	6.5	22.0	17.7	56.5										
RV38-8S	5/16	8.5	15.3	17.4	53.0										
RV38-8L	5/16	8.5	22.0	17.7	56.5										
RV38-10S	3/8	10.5	15.3	17.4	53.0										
RV38-10L	3/8	10.5	22.0	17.7	56.5										
RV38-11	7/16	11.5													
RV38-12	1/2	13.0	31.7	23.5	66.0										
RV38-14	9/16	15.0													
RV38-16	5/8	17.0													
RV38-18	11/16	19.0													
RV38-20	3/4	21.0													

片形绝缘端子 PVC-Insulated Blade Terminal



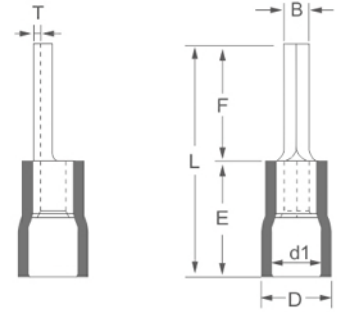
型号 ITEM NO.	尺寸 DIMENSION mm							包装 PCS/ PACK	颜色 COLOR	说明 EXPLANATION
	B	F	L	E	D	d1	T			
DBV1.25-10	2.3	10.0	20.3	10.3	6.0	4.6	0.7	1000	● 红 Red	导线截面:0.5~1.5mm ² (美国线规22~16) 最大电流: I _{max} =19A 材质:紫铜 绝缘套管: PVC
DBV1.25-11	3.0	11.0	21.3							
DBV1.25-14S	2.4	14.0	24.3							
DBV1.25-14L	3.0									
DBV1.25-18	2.3	18.0	28.3							
DBV2-9	2.8	9.0	19.3	10.3	6.6	5.2	0.8	1000	● 蓝 Blue	导线截面:1.5~2.5mm ² (美国线规16~14) 最大电流: I _{max} =27A 材质:紫铜 绝缘套管: PVC
DBV2-10	2.8	10.0	20.3							
DBV2-14S	2.4	14.0	24.3							
DBV2-14L	3.0									
DBV2-18	2.3	18.0	28.3							
DBV5.5-10	2.8	10.0	23.3	13.3	8.2	6.5	1.0	500	● 黄 Yellow	导线截面:4~6mm ² (美国线规12~10) 最大电流: I _{max} =48A 材质:紫铜 绝缘套管: PVC
DBV5.5-14S	3.0	14.0	27.3							
DBV5.5-14	4.5									
DBV5.5-18S	3.0	18.0	31.3							
DBV5.5-18	4.5									
DBV8-14	6.1	14.0	29.5	15.5	10.2	8.3	1.2	500	● 红 Red	材质:紫铜 绝缘套管: PVC
DBV14-16	6.1	16.0	37.2	21.5	12.0	10.5	1.5	200	● 蓝 Blue	
DBV22-17	7.1	17.0	40.5	23.5	15.8	13.3	1.8	200	● 黄 Yellow	
DBV38-17	7.7		45.0	28.0	18.8	13.5	1.8	100	● 红 Red	

针形绝缘端子 PVC-Insulated Pin Terminal



型号 ITEM NO.	尺寸 DIMENSION mm							包装 PCS/ PACK	颜色 COLOR	说明 EXPLANATION
	B	F	L	E	D	d1	T			
PTV1.25-7	1.9	7.0	17.3	10.3	6.0	4.6	0.7	1000	● 红 Red	导线截面:0.5~1.5mm ² (美国线规22~16) 最大电流: I _{max} =19A 材质:紫铜 绝缘套管: PVC Lead Section:0.5~1.5mm ² (A.W. G.22~16) Max Current:I _{max} =19A Material:Copper Insulation: PVC
PTV1.25-9		9.0	19.3							
PTV1.25-10		10.0	20.3							
PTV1.25-12		12.0	22.3							
PTV1.25-13		13.0	23.3							
PTV1.25-18		18.0	28.3							
PTV2-8	1.9	8.0	18.3	10.3	6.6	5.2	0.8	1000	● 蓝 Blue	导线截面:1.5~2.5mm ² (美国线规16~14) 最大电流: I _{max} =27A 材质:紫铜 绝缘套管: PVC Lead Section:1.5~2.5mm ² (A.W. G.16~14) Max Current:I _{max} =27A Material:Copper Insulation: PVC
PTV2-9		9.0	19.3							
PTV2-10		10.0	20.3							
PTV2-12		12.0	22.3							
PTV2-13		13.0	23.3							
PTV2-18		18.0	28.3							
PTV3.5-7	2.8	7.0	20.8	13.0	7.8	6.4	1.0	500	● 黑 Black	导线截面:2.5~4mm ² (美国线规14~12) 最大电流: I _{max} =48A 材质:紫铜 绝缘套管: PVC Lead Section:2.5~4mm ² (A.W. G.14~12) Max Current:I _{max} =48A Material:Copper Insulation: PVC
PTV3.5-10		10.0	23.8							
PTV3.5-13		13.0	26.8							
PTV5.5-7	2.8	7.0	20.8	13.3	8.2	6.5	1.0	500	● 黄 Yellow	导线截面:4~6mm ² (美国线规12~10) 最大电流: I _{max} =48A 材质:紫铜 绝缘套管: PVC Lead Section:4~6mm ² (A.W. G.12~10) Max Current:I _{max} =48A Material:Copper Insulation: PVC
PTV5.5-10		10.0	23.8							
PTV5.5-13		13.0	26.8							
PTV5.5-18		18.0	31.8							

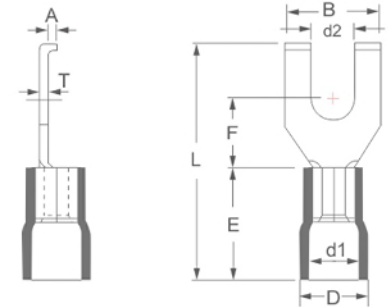
针形绝缘端子 PVC-Insulated Pin Terminal



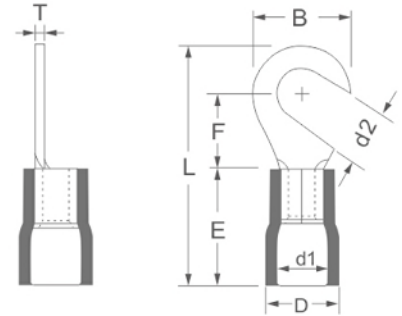
绝缘端子系列
Insulated Terminal Series

型号 ITEM NO.	尺寸 DIMENSION mm							包装 PCS/ PACK	颜色 COLOR	说明 EXPLANATION
	B	F	L	E	D	d1	T			
PTV10-12	4.3	12.0	29.4	15.4	10.2	8.2	1.1	500	● 红 Red	材质:紫铜 绝缘套管: PVC Material:Copper Insulation: PVC
PTV16-13	5.5	13.0	37.0	21.0	12.8	10.2	1.2	500	● 蓝 Blue	
PTV25-15	6.8	15.0	43.5	23.5	12.8	11.0	1.2	200	● 黄 Yellow	
PTV35-20	8.0	20.0	52.8	28.2	15.6	13.0	1.5	200	● 红 Red	
PTV50-20	9.5	20.0	54.6	28.0	18.5	15.2	1.8	100	● 黑 Black	

凸形绝缘端子 PVC-Insulated Convex Fork Terminal

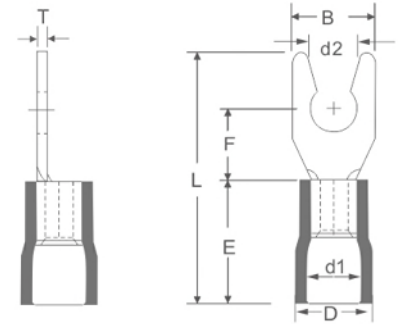


型号 ITEM NO.	STUD SIZE 美制螺栓号 螺栓口直径		尺寸 DIMENSION mm								包装 PCS/ PACK	颜色 COLOR	说明 EXPLANATION
	American	Metric d2	B	F	L	E	D	d1	A	T			
FSV1.25-3	#4	3.2	7.5	5.1	19.5	10.3	6.0	4.6	1.5	0.7	1000	● 红 Red	导线截面:0.5~1.5mm ² (美国线规22~16) 最大电流: I _{max} =19A 材质:紫铜 绝缘套管: PVC Lead Section:0.5~1.5mm ² (A.W. G.22~16) Max Current:I _{max} =19A Material:Copper Insulation: PVC
FSV1.25-3.5	#6	3.7											
FSV1.25-4	#8	4.3											
FSV1.25-5	#10	5.3											
FSV2-3.5	#6	3.7	7.5	5.2	20.2	10.3	6.6	5.2	1.5	0.8	1000	● 蓝 Blue	导线截面:1.5~2.5mm ² (美国线规16~14) 最大电流: I _{max} =27A 材质:紫铜 绝缘套管: PVC Lead Section:1.5~2.5mm ² (A.W. G.16~14) Max Current:I _{max} =27A Material:Copper Insulation: PVC
FSV2-4	#8	4.3											
FSV2-5	#10	5.3											
FSV5.5-3.5	#6	3.7	8.5	7.5	27.0	13.3	8.2	6.5	1.5	1.0	500	● 黄 Yellow	导线截面:4~6mm ² (美国线规12~10) 最大电流: I _{max} =48A 材质:紫铜 绝缘套管: PVC Lead Section:4~6mm ² (A.W. G.12~10) Max Current:I _{max} =48A Material:Copper Insulation: PVC
FSV5.5-4	#8	4.3											
FSV5.5-5	#10	5.3											

钩形绝缘端子
 PVC-Insulated Hook Terminal


型号 ITEM NO.	STUD SIZE 美制螺栓号 螺栓口直径		尺寸 DIMENSION mm							包装 PCS/ PACK	颜色 COLOR	说明 EXPLANATION
	American	Metric d2	B	F	L	E	D	d1	T			
HV1.25-3.5	#6	3.7	8.0	7.0	21.3	10.3	6.0	4.6	0.7	1000	● 红 Red	导线截面:0.5~1.5mm ² (美国线规22~16) 最大电流: I _{max} =19A 材质:紫铜 绝缘套管: PVC
HV1.25-4	#8	4.3										
HV1.25-5	#10	5.3										
HV1.25-6	1/4	6.5	11.6	11.0	27.3	10.3	6.6	5.2	0.8	1000	● 蓝 Blue	Lead Section:0.5~1.5mm ² (A.W. G.22~16) Max Current:I _{max} =19A Material:Copper Insulation: PVC
HV2-3.5	#6	3.7	8.5	7.4	22.3							
HV2-4	#8	4.3										
HV2-5	#10	5.3	9.5	7.3	22.3							
HV2-6	1/4	6.5	12.0	11.0	27.3	13.3	8.2	6.5	1.0	500	● 黄 Yellow	Lead Section:1.5~2.5mm ² (A.W. G.16~14) Max Current:I _{max} =27A Material:Copper Insulation: PVC
HV5.5-3.5	#6	3.7	9.5	9.5	27.1							
HV5.5-4	#8	4.3										
HV5.5-5	#10	5.3	12.0	10.3	29.8							
HV5.5-6	1/4	6.5										
HV5.5-8	5/16	8.5				15.0	13.5	34.3				

锁扣形绝缘端子
PVC-Insulated
Lock Fork Terminal

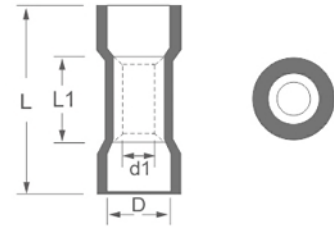


绝缘端子系列
Insulated Terminal Series

型号 ITEM NO.	STUD SIZE 美制螺栓号 螺栓口直径		尺寸 DIMENSION mm							包装 PCS/ PACK	颜色 COLOR	说明 EXPLANATION	
	American	Metric d2	B	F	L	E	D	d1	T				
LSV1.25-3.5	#6	3.7	6.4	6.5	21.5	10.3	6.0	4.6	0.7	1000	● 红 Red	导线截面:0.5~1.5mm ² (美国线规22~16) 最大电流: I _{max} =19A 材质:紫铜 绝缘套管: PVC Lead Section:0.5~1.5mm ² (A.W. G.22~16) Max Current:I _{max} =19A Material:Copper Insulation: PVC	
LSV1.25-4S	#8	4.3	7.2										
LSV1.25-4L	#8	4.3	8.1										
LSV1.25-5S	#10	5.3											
LSV1.25-5L	#10	5.3	9.5										
LSV2-3.5S	#6	3.7	6.0	6.5	21.5	10.3	6.6	5.2	0.8	1000	● 蓝 Blue	导线截面:1.5~2.5mm ² (美国线规16~14) 最大电流: I _{max} =27A 材质:紫铜 绝缘套管: PVC Lead Section:1.5~2.5mm ² (A.W. G.16~14) Max Current:I _{max} =27A Material:Copper Insulation: PVC	
LSV2-4S	#8	4.3	7.2										
LSV2-4L	#8	4.3	8.1										
LSV2-5S	#10	5.3											
LSV2-5L	#10	5.3	9.3										
LSV5.5-3.5	#6	3.7	8.3	7.0	25.5	13.3	8.2	6.5	1.0	500	● 黄 Yellow	导线截面:4~6mm ² (美国线规12~10) 最大电流: I _{max} =48A 材质:紫铜 绝缘套管: PVC Lead Section:4~6mm ² (A.W. G.12~10) Max Current:I _{max} =48A Material:Copper Insulation: PVC	
LSV5.5-4	#8	4.3											
LSV5.5-5	#10	5.3											9.0
LSV5.5-6	1/4	6.5											12.0

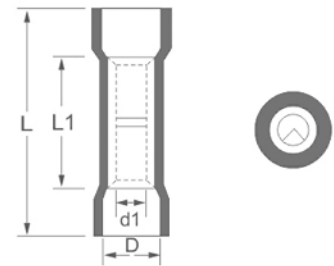
绝缘端子系列
 Insulated Terminal Series

(短) 形全绝缘中间接头 PVC-Insulated Short Butt Connector



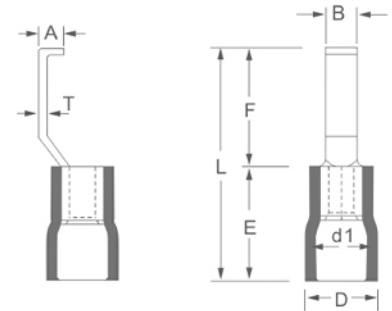
型号 ITEM NO.	导线面积 WIRE SECTION		尺寸 DIMENSION mm				最大电流 MAX CURRENT	包装 PCS/ PACK	颜色 COLOR	说明 EXPLANATION
	A. W. G	mm ²	L1	d1	D	L				
PVT 1.25	22-16	0.5-1.5	8.0	1.7	4.3	16.0	19A	1000	● 红Red	材质:紫铜 绝缘套管: PVC Material:Copper Insulation: PVC
PVT2	16-14	1.5-2.5	8.0	2.3	4.9	16.0	27A	1000	● 蓝Blue	
PVT5.5	10-12	4-6	8.5	3.4	6.3	20.5	48A	500	● 黄Yellow	

(长) 形全绝缘中间接头 PVC-Insulated Long Butt Connector



型号 ITEM NO.	导线面积 WIRE SECTION		尺寸 DIMENSION mm				最大电流 MAX CURRENT	包装 PCS/ PACK	颜色 COLOR	说明 EXPLANATION
	A. W. G	mm ²	L1	d1	D	L				
BV0.5	26-22	0.2-0.5	12.0	1.3	3.3	22.0	15A	1000	● 红Red	材质:紫铜 绝缘套管: PVC Material:Copper Insulation: PVC
BV1.25	22-16	0.5-1.5	15.0	1.7	4.3	25.0	19A	1000	● 红Red	
BV2	16-14	1.5-2.5	15.0	2.3	4.9	25.0	27A	1000	● 蓝Blue	材质:紫铜 绝缘套管: PVC Material:Copper Insulation: PVC
BV3.5	14-12	2.5-4	15.0	3.0	6.3	25.0	36A	500	● 黑Black	
BV5.5	12-10	4-6	15.0	3.4	6.7	25.0	48A	500	● 黄Yellow	材质:紫铜 绝缘套管: PVC Material:Copper Insulation: PVC
BV8	8	6-10	21.0	4.5	8.5	32.0	62A	200	● 红Red	
BV14	6	10-16	26.0	5.8	10.5	42.0	88A	200	● 蓝Blue	材质:紫铜 绝缘套管: PVC Material:Copper Insulation: PVC
BV22	4	16-25	29.0	7.7	13.0	50.0	115A	100	● 黄Yellow	
BV38	2	35-50	32.0	9.4	15.3	55.0	160A	100	● 红Red	材质:紫铜 绝缘套管: PVC Material:Copper Insulation: PVC

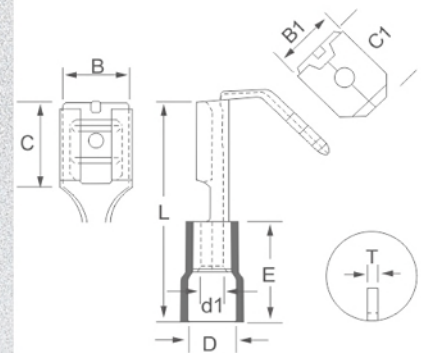
凹形绝缘端子 PVC-Insulated Convex Blade Terminal



绝缘端子系列
Insulated Terminal Series

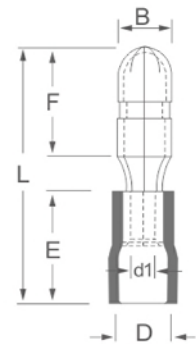
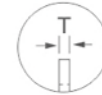
型号 ITEM NO.	尺寸 DIMENSION mm								包装 PCS/ PACK	颜色 COLOR	说明 EXPLANATION	
	B	F	L	E	D	d1	T	A				
LBV1.25-3	3.0	17.0	27.5	10.3	6.0	4.6	0.7	2.1	1000	● 红 Red	导线截面:0.5~1.5mm ² (美国线规22~16) 最大电流: I _{max} =19A 材质:紫铜 绝缘套管: PVC	Lead Section:0.5~1.5mm ² (A.W. G.22~16) Max Current:I _{max} =19A Material:Copper Insulation: PVC
LBV1.25-4.6	4.6											
LBV2-3	3.0	17.0	27.5	10.3	6.6	5.2	0.8	2.1	1000	● 蓝 Blue	导线截面:1.5~2.5mm ² (美国线规16~14) 最大电流: I _{max} =27A 材质:紫铜 绝缘套管: PVC	Lead Section:1.5~2.5mm ² (A.W. G.16~14) Max Current:I _{max} =27A Material:Copper Insulation: PVC
LBV2-4.6	4.6											
LBV5.5-3	3.0	17.5	30.5	13.3	8.2	6.5	1.0	2.75	500	● 黄 Yellow	导线截面:4~6mm ² (美国线规12~10) 最大电流: I _{max} =48A 材质:紫铜 绝缘套管: PVC	Lead Section:4~6mm ² (A.W. G.12~10) Max Current:I _{max} =48A Material:Copper Insulation: PVC
LBV5.5-4.6	4.6											

肩背形 (公母) 绝缘接头 PVC-Insulated Piggy Male & Female Connector



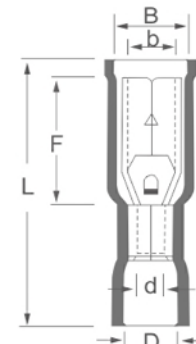
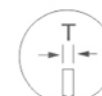
型号 ITEM NO.	接插规格 Nema Tab	尺寸 DIMENSION mm									包装 PCS/ PACK	颜色 COLOR	说明 EXPLANATION	
		B	B1	L	C	C1	E	d1	D	T				
PBDD1.25-250	0.8×6.35	6.6	6.3	22.5	8.1	8.3	10.8	1.7	3.8	0.4	500	● 红 Red	导线截面:0.5~1.5mm ² 材质:黄铜 绝缘套管: PVC	Lead Section:0.5~1.5mm ² Material:Brass Insulation: PVC
PBDD2-250	0.8×6.35	6.6	6.3	22.5	8.1	8.3	10.8	2.3	4.3	0.4	500	● 蓝 Blue	导线截面:1.5~2.5mm ² 材质:黄铜 绝缘套管: PVC	Lead Section:1.5~2.5mm ² Material:Brass Insulation: PVC
PBDD5.5-250	0.8×6.35	6.6	6.3	24.0	8.1	8.3	13.3	3.4	5.7	0.4	500	● 黄 Yellow	导线截面:4~6mm ² 材质:黄铜 绝缘套管: PVC	Lead Section:4~6mm ² Material:Brass Insulation: PVC

子弹形 (公) 绝缘接头 PVC-Insulated Male Bullet Connector



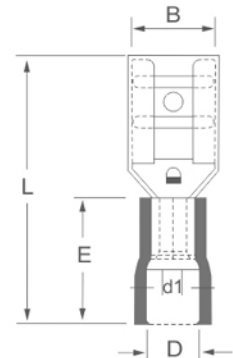
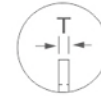
型号 ITEM NO.	尺寸 DIMENSION mm							包装 PCS/ PACK	颜色 COLOR	说明 EXPLANATION
	B	F	L	E	D	d1	T			
MPD1.25-156	4.0	9.0	21.5	10.5	3.8	1.7	0.4	1000	● 红Red	材质:黄铜 绝缘套管: PVC Material:Brass Insulation: PVC
MPD2-156	4.0		21.7	10.5	4.3	2.3			● 蓝Blue	
MPD2-195	5.0		21.7	10.5	4.3	2.3		500	● 黄Yellow	
MPD5.5-156	4.0		24.0	13.0	5.6	3.4				
MPD5.5-195	5.0		24.0	13.0	5.6	3.4				

子弹形 (母) 绝缘接头 PVC-Insulated Female Bullet Connector



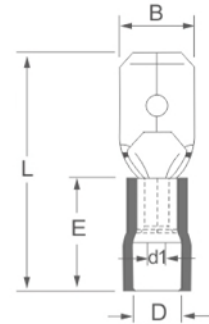
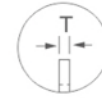
型号 ITEM NO.	尺寸 DIMENSION mm							包装 PCS/ PACK	颜色 COLOR	说明 EXPLANATION
	B	F	L	b	D	d1	T			
FRD1.25-156	5.2	13.0	23.3	3.9	3.8	1.7	0.4	1000	● 红Red	材质:黄铜 绝缘套管: PVC Material:Brass Insulation: PVC
FRD2-156	5.2	14.0	23.3	3.9	4.3	2.3			● 蓝Blue	
FRD2-195	6.2	14.0	23.3	4.9	4.3	2.3		500	● 黄Yellow	
FRD5.5-156	5.2	14.0	25.0	3.9	5.6	3.4				
FRD5.5-195	6.2	14.0	25.0	4.9	5.6	3.4				

母预绝缘接头
PVC-Insulated
Female Connector



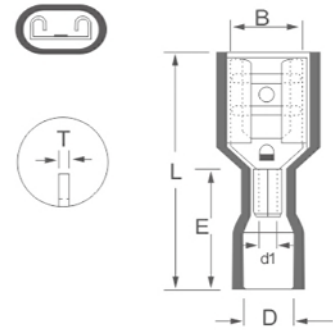
绝缘端子系列
Insulated Terminal Series

型号 ITEM NO.	接插规格 Nema Tab	尺寸 DIMENSION mm						包装 PCS/ PACK	颜色 COLOR	说明 EXPLANATION						
		B	L	E	D	d1	T									
FDD1.25-110(5)	0.5×2.8	3.3	18.5	10.0	3.8	1.7	0.3	1000	● 红Red	导线截面:0.5~1.5mm ² (美国线规22~16) 最大电流: I _{max} =19A 材质:黄铜 绝缘套管: PVC						
FDD1.25-110(8)	0.8×2.8															
FDD1.25-187(5)	0.5×4.75															
FDD1.25-187(8)	0.8×4.75															
FDD1.25-205	0.5×5.2															
FDD1.25-250	0.8×6.35															
FDD1.25-312	0.8×8.0															
FDD1.25-205	0.5×5.2	5.7	19.0	10.0	4.3	2.3	0.35	1000	● 蓝Blue	Lead Section:0.5~1.5mm ² (A.W. G.22~16) Max Current:I _{max} =19A Material:Brass Insulation: PVC						
FDD1.25-250	0.8×6.35															
FDD1.25-312	0.8×8.0															
FDD2-110(5)	0.5×2.8	3.3	18.5				10.0				4.3	2.3	0.3	1000	● 蓝Blue	导线截面:1.5~2.5mm ² (美国线规16~14) 最大电流: I _{max} =27A 材质:黄铜 绝缘套管: PVC
FDD2-110(8)	0.8×2.8															
FDD2-187(5)	0.5×4.75															
FDD2-187(8)	0.8×4.75															
FDD2-205	0.5×5.2															
FDD2-250	0.8×6.35															
FDD2-312	0.8×8.0															
FDD2-375	1.2×9.4	9.9	27.6	13.0	5.7	3.4	0.4	1000	● 黄Yellow	导线截面:4~6mm ² (美国线规12~10) 最大电流: I _{max} =48A 材质:黄铜 绝缘套管: PVC						
FDD2-205	0.5×5.2															
FDD2-250	0.8×6.35															
FDD2-312	0.8×8.0															
FDD2-375	1.2×9.4															
FDD5.5-110(5)	0.5×2.8	3.3	21.0				13.0				5.7	3.4	0.35	1000	● 黄Yellow	Lead Section:1.5~2.5mm ² (A.W. G.16~14) Max Current:I _{max} =27A Material:Brass Insulation: PVC
FDD5.5-110(8)	0.8×2.8															
FDD5.5-187(5)	0.5×4.75															
FDD5.5-187(8)	0.8×4.75															
FDD5.5-250	0.8×6.35															
FDD5.5-312	0.8×8.0															
FDD5.5-375	1.2×9.4															
FDD5.5-110(5)	0.5×2.8	3.3	21.0	13.0	5.7	3.4	0.35	500	● 黄Yellow	导线截面:4~6mm ² (美国线规12~10) 最大电流: I _{max} =48A 材质:黄铜 绝缘套管: PVC						
FDD5.5-110(8)	0.8×2.8															
FDD5.5-187(5)	0.5×4.75															
FDD5.5-187(8)	0.8×4.75															
FDD5.5-250	0.8×6.35															
FDD5.5-312	0.8×8.0															
FDD5.5-375	1.2×9.4															

公预绝缘接头
PVC-Insulated
Male Connector


型号 ITEM NO.	接插规格 Nema Tab	尺寸 DIMENSION mm						包装 PCS/ PACK	颜色 COLOR	说明 EXPLANATION			
		B	L	E	D	d1	T						
MDD1.25-110(5)	0.5×2.8	2.8	17.7	10.0	3.8	1.7	0.5	1000	● 红Red	导线截面:0.5~1.5mm ² (美国线规22~16) 最大电流: I _{max} =19A 材质:黄铜 绝缘套管: PVC			
MDD1.25-110(8)	0.8×2.8						0.8						
MDD1.25-187(5)	0.5×4.75	4.75	20.0				0.5						
MDD1.25-187(8)	0.8×4.75			0.4×2									
MDD1.25-187(8L)	0.8×4.75	4.75	20.0	10.0	4.3	2.3	0.8				1000	● 蓝Blue	Lead Section:0.5~1.5mm ² (A.W. G.22~16) Max Current:I _{max} =19A Material:Brass Insulation: PVC
MDD1.25-250	0.8×6.35	6.35	21.0	10.0	3.8	1.7	0.4×2						
MDD2-110(5)	0.5×2.8	2.8	17.7	10.0	4.3	2.3	0.5	1000	● 黄Yellow	导线截面:1.5~2.5mm ² (美国线规16~14) 最大电流: I _{max} =27A 材质:黄铜 绝缘套管: PVC			
MDD2-110(8)	0.8×2.8						0.8						
MDD2-187(5)	0.5×4.75	4.75	20.0				0.5						
MDD2-187(8)	0.8×4.75			0.4×2									
MDD2-187(8L)	0.8×4.75	4.75	20.0			3.4	0.8				1000	● 黄Yellow	Lead Section:1.5~2.5mm ² (A.W. G.16~14) Max Current:I _{max} =27A Material:Brass Insulation: PVC
MDD2-250	0.8×6.35	6.35	21.0			2.3	0.4×2						
MDD5.5-110(5)	0.5×2.8	2.8	20.0	13.0	5.7	3.4	0.5	1000	● 黄Yellow	导线截面:4~6mm ² (美国线规12~10) 最大电流: I _{max} =48A 材质:黄铜 绝缘套管: PVC			
MDD5.5-110(8)	0.8×2.8						0.8						
MDD5.5-187(5)	0.5×4.75	4.75	22.0				0.5						
MDD5.5-187(8)	0.8×4.75			0.4×2									
MDD5.5-250	0.8×6.35	6.35	23.0			0.4×2	500						Lead Section:4~6mm ² (A.W. G.12~10) Max Current:I _{max} =48A Material:Brass Insulation: PVC

母全绝缘接头
Fully-PVC-Insulated
Female Connector



绝缘端子系列
Insulated Terminal Series

型号 ITEM NO.	接插规格 Nema Tab	尺寸 DIMENSION mm						包装 PCS/ PACK	颜色 COLOR	说明 EXPLANATION	
		B	L	E	D	d1	T				
FDFD1.25-110(5)	0.5×2.8	3.3	20.0	10.0	3.8	1.7	0.3	1000	● 红Red	导线截面:0.5~1.5mm ² (美国线规22~16) 最大电流: I _{max} =19A 材质:黄铜 绝缘套管: PVC	
FDFD1.25-110(8)	0.8×2.8										5.0
FDFD1.25-187(5)	0.5×4.75	6.5	21.0				0.4				
FDFD1.25-187(8)	0.8×4.75										6.6
FDFD1.25-205	0.5×5.2	6.6	22.4				0.4				
FDFD1.25-250	0.8×6.35										10.0
FDFD2-110(5)	0.5×2.8	3.3	20.0	0.3							
FDFD2-110(8)	0.8×2.8				5.0	20.5	0.35				
FDFD2-187(5)	0.5×4.75	6.5	21.0	0.4							
FDFD2-187(8)	0.8×4.75				6.6	22.7					
FDFD2-205	0.5×5.2	6.6	22.7	0.4							
FDFD2-250	0.8×6.35				6.6	23.0	13.0	5.7	3.4	0.4	500
FDFD5.5-250	0.8×6.35										



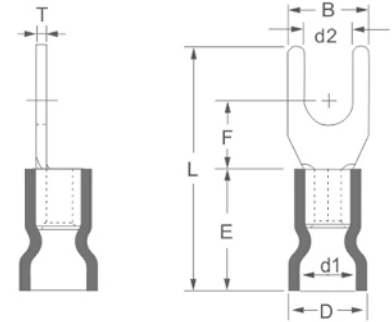
易捷形绝缘端子系列

Easy-Joint Insulated Terminal Series



Easy-Joint Insulated Terminal Series
易捷形绝缘端子系列

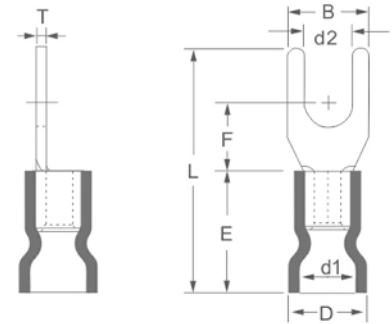
(易捷形) 叉形绝缘端子
Easy-Joint PVC-Insulated
Fork Terminal



易捷形绝缘端子系列
Terminal Series

型号 ITEM NO.	STUD SIZE 美制螺栓号 螺栓口直径		尺寸 DIMENSION mm							包装 PCS/ PACK	颜色 COLOR	说明 EXPLANATION		
	American	Metric d2	B	F	L	E	D	d1	T					
SE1.25-3	#4	3.2	5.7	6.5	22.0	10.7	5.8	4.2	0.7	1000	● 红 Red	导线截面:0.5~1.5mm ² (美国线规22~16) 最大电流: I _{max} =19A 材质:紫铜 绝缘套管: PVC		
SE1.25-3.5S	#6	3.7												
SE1.25-3.5L	#6	3.7	6.4											
SE1.25-4S	#8	4.3												
SE1.25-4M	#8	4.3	7.2											
SE1.25-4L	#8	4.3												
SE1.25-5S	#10	5.3	8.1											
SE1.25-5L	#10	5.3												
SE1.25-6S	1/4	6.5	9.5											
SE1.25-6L	1/4	6.5												
SE1.25-8	5/16	8.5	14.0	11.0	28.0	6.5	22.2	11.0	6.4	4.5	0.8	1000	● 蓝 Blue	导线截面:1.5~2.5mm ² (美国线规16~14) 最大电流: I _{max} =27A 材质:紫铜 绝缘套管: PVC
SE2-3	#4	3.2	5.7	21.5										
SE2-3.5S	#6	3.7												
SE2-3.5L	#6	3.7	6.5											
SE2-4S	#8	4.3												
SE2-4M	#8	4.3	7.2											
SE2-4L	#8	4.3												
SE2-5S	#10	5.3	8.2											
SE2-5L	#10	5.3												
SE2-6S	1/4	6.5	9.5											
SE2-6L	1/4	6.5												
SE2-8	5/16	8.5	14.0	12.5	29.5									

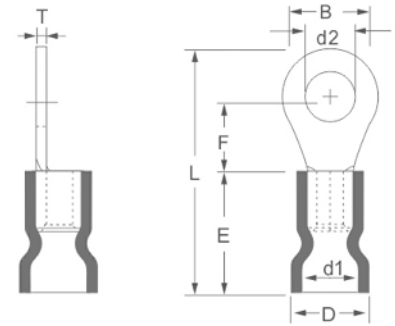
(易捷形) 叉形绝缘端子
Easy-Joint PVC-Insulated
Fork Terminal



Easy-Joint Insulated
Terminal Series
易捷形绝缘端子系列

型号 ITEM NO.	STUD SIZE 美制螺栓号 螺栓口直径		尺寸 DIMENSION mm							包装 PCS/ PACK	颜色 COLOR	说明 EXPLANATION
	American	Metric d2	B	F	L	E	D	d1	T			
SE3.5-3	#4	3.2	8.0	7.0	26.3	14.0	7.0	5.2	1.0	500	● 黑 Black	导线截面:2.5~4mm ² (美国线规14~12) 最大电流: I _{max} =37A 材质:紫铜 绝缘套管: PVC
SE3.5-3.5	#6	3.7										
SE3.5-4	#8	4.3										
SE3.5-5S	#10	5.3										
SE3.5-6S	1/4	6.5	9.0	7.5	27.0							
SE3.5-6L	1/4	6.5	12.0	9.1	29.5							
SE3.5-8	5/16	8.5	14.0	11.5	31.8							
SE3.5-10	3/8	10.5	17.5	12.5	34.5							
SE5.5-3	#4	3.2	8.3	7.5	27.0	14.2	7.5	5.8	1.0	500	● 黄 Yellow	导线截面:4~6mm ² (美国线规12~10) 最大电流: I _{max} =48A 材质:紫铜 绝缘套管: PVC
SE5.5-3.5	#6	3.7										
SE5.5-4S	#8	4.3	8.9		27.5							
SE5.5-4L	#8	4.3										
SE5.5-5	#10	5.3	9.0	27.0								
SE5.5-6S	1/4	6.5										
SE5.5-6L	1/4	6.5	12.0	12.0	32.5							
SE5.5-8	5/16	8.5	14.0									
SE5.5-10	3/8	10.5	17.5			12.5	34.5					

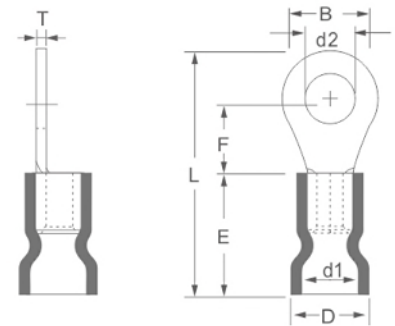
(易捷形) 圆形绝缘端子
Easy-Joint PVC-Insulated
Ring Terminal



易捷形绝缘端子系列
Terminal Series

型号 ITEM NO.	STUD SIZE 美制螺栓号 螺栓口直径		尺寸 DIMENSION mm							包装 PCS/ PACK	颜色 COLOR	说明 EXPLANATION
	American	Metric d2	B	F	L	E	D	d1	T			
RE1.25-3	#4	3.2	5.7	5.0	18.7	10.7	5.8	4.2	0.7	1000	● 红 Red	导线截面:0.5~1.5mm ² (美国线规22~16) 最大电流: I _{max} =19A 材质:紫铜 绝缘套管: PVC Lead Section: 0.5~1.5mm ² (A.W. G.22-16) Max Current:I _{max} =19A Material:Copper Insulation: PVC
RE1.25-3.5S	#6	3.7										
RE1.25-3.5M	#6	3.7										
RE1.25-3.5L	#6	3.7	6.6	6.3	20.4							
RE1.25-4S	#8	4.3	6.6	6.3	20.4							
RE1.25-4L	#8	4.3	8.0	7.0	21.7							
RE1.25-5S	#10	5.3										
RE1.25-5L	#10	5.3	9.5	7.5	23.0							
RE1.25-5LL	#10	5.3	11.6	11.3	27.7							
RE1.25-6S	1/4	6.5	9.5	7.5	23.0							
RE1.25-6L	1/4	6.5	11.6	11.3	27.7							
RE1.25-8	5/16	8.5										
RE1.25-8L	5/16	8.5	13.7	13.9	31.6							
RE1.25-10	3/8	10.5										
RE1.25-10L	3/8	10.5										
RE1.25-12	1/2	13.0	18.0	15.0	34.7							
RE1.25-14	9/16	15.0										
RE1.25-16	5/8	17.0										
RE1.25-18	11/16	19.0										
RE1.25-20	3/4	21.0	27.0	21.0	45.2	500						

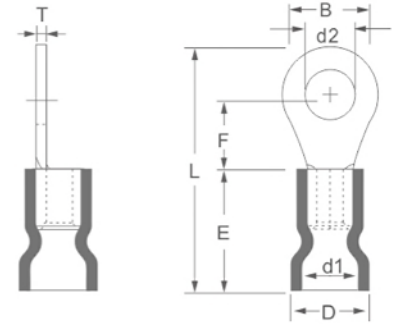
(易捷形) 圆形绝缘端子
Easy-Joint PVC-Insulated
Ring Terminal



Easy-Joint Insulated Terminal Series 易捷形绝缘端子系列

型号 ITEM NO.	STUD SIZE 美制螺栓号 螺栓口直径		尺寸 DIMENSION mm							包装 PCS/ PACK	颜色 COLOR	说明 EXPLANATION
	American	Metric d2	B	F	L	E	D	d1	T			
RE2-3	#4	3.2	6.6	4.3	18.4	11.0	6.4	4.5	0.8	1000	● 蓝 Blue	导线截面:1.5~2.5mm ² (美国线规16~14) 最大电流: I _{max} =27A 材质:紫铜 绝缘套管: PVC
RE2-3.5S	#6	3.7		6.3	20.4							
RE2-3.5M	#6	3.7		7.4	22.4							
RE2-3.5L	#6	3.7	8.5	23.0								
RE2-4S	#8	4.3	6.6	6.3	20.4							
RE2-4L	#8	4.3	8.5	7.4	22.4							
RE2-5S	#10	5.3	9.5	7.4	23.0							
RE2-5L	#10	5.3	12.0	11.0	27.4							
RE2-6S	1/4	6.5	13.6	13.9	31.4							
RE2-6L	1/4	6.5	18.2	15.0	35.2							
RE2-8	5/16	8.5	27.0	21.0	45.2	500						
RE2-8L	5/16	8.5	13.6	13.9	31.4							
RE2-10	3/8	10.5	18.2	15.0	35.2							
RE2-10L	3/8	10.5	27.0	21.0	45.2							
RE2-12	1/2	13.0	27.0	21.0	45.2							
RE2-14	9/16	15.0										
RE2-16	5/8	17.0										
RE2-18	11/16	19.0										
RE2-20	3/4	21.0										

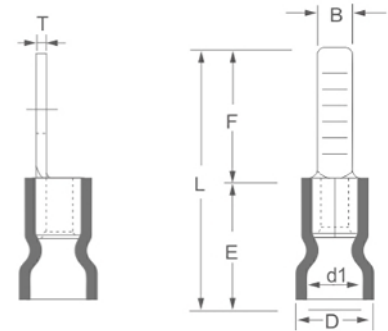
(易捷形) 圆形绝缘端子
Easy-Joint PVC-Insulated
Ring Terminal



易捷形绝缘端子系列
Terminal Series

型号 ITEM NO.	STUD SIZE 美制螺栓号 螺栓口直径		尺寸 DIMENSION mm							包装 PCS/ PACK	颜色 COLOR	说明 EXPLANATION
	American	Metric d2	B	F	L	E	D	d1	T			
RE3.5-3	#4	3.2	8.0	8.0	26.0	14.0	7.0	5.2	1.0	500	● 黑 Black	导线截面:2.5~4mm ² (美国线规14~12) 最大电流: I _{max} =37A 材质:紫铜 绝缘套管: PVC
RE3.5-3.5	#6	3.7										
RE3.5-4	#8	4.3										
RE3.5-4M	#8	4.3	9.5	8.3	28.0							
RE3.5-5S	#10	5.3	8.0	8.0	26.0							
RE3.5-5M	#10	5.3	9.5	8.3	28.0							
RE3.5-5L	#10	5.3	12.0	9.5	29.5							
RE3.5-6	1/4	6.5										
RE3.5-8	5/16	8.5	15.0	13.5	35.0							
RE3.5-10	3/8	10.5										
RE3.5-12	1/2	13.0										
RE5.5-3	#4	3.2	7.2	6.0	23.7	14.2	7.5	5.8	1.0	500	● 黄 Yellow	导线截面:4~6mm ² (美国线规12~10) 最大电流: I _{max} =48A 材质:紫铜 绝缘套管: PVC
RE5.5-3.5	#6	3.7										
RE5.5-4S	#8	4.3										
RE5.5-4L	#8	4.3	9.5	8.2	27.0							
RE5.5-5	#10	5.3										
RE5.5-6	1/4	6.5	12.0	10.5	30.3							
RE5.5-6M	1/4	6.5		13.0	33.0							
RE5.5-8	5/16	8.5	15.0	13.5	34.8							
RE5.5-10	3/8	10.5										
RE5.5-12	1/2	13.0										
RE5.5-14	9/16	15.0	32.0	25.2	55.2	200						
RE5.5-16	5/8	17.0										
RE5.5-18	11/16	19.0										
RE5.5-20	3/4	21.0										

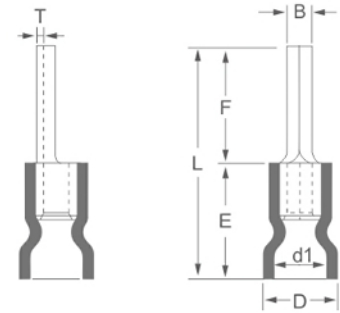
(易捷形) 片形绝缘端子
Easy-Joint PVC-Insulated
Blade Terminal



Easy-Joint Insulated
Terminal Series
易捷形绝缘端子系列

型号 ITEM NO.	尺寸 DIMENSION mm							包装 PCS/ PACK	颜色 COLOR	说明 EXPLANATION
	B	F	L	E	D	d1	T			
DE1.25-10	2.3	10.0	20.7	10.7	5.8	4.2	0.7	1000	● 红 Red	导线截面:0.5~1.5mm ² (美国线规22~16) 最大电流: I _{max} =19A 材质:紫铜 绝缘套管: PVC
DE1.25-11	3.0	11.0	21.7							
DE1.25-14S	2.4	14.0	24.7							
DE1.25-14L	3.0									
DE1.25-18	2.3	18.0	28.7							
DE2-9	2.8	9.0	20.0	11.0	6.4	4.5	0.8	1000	● 蓝 Blue	导线截面:1.5~2.5mm ² (美国线规16~14) 最大电流: I _{max} =27A 材质:紫铜 绝缘套管: PVC
DE2-10	2.8	10.0	21.0							
DE2-14S	2.4	14.0	25.0							
DE2-14L	3.0									
DE2-18	2.3	18.0	29.0							
DE5.5-10	2.8	10.0	24.2	14.2	7.5	5.8	1.0	500	● 黄 Yellow	导线截面:4~6mm ² (美国线规12~10) 最大电流: I _{max} =48A 材质:紫铜 绝缘套管: PVC
DE5.5-14S	3.0	14.0	28.2							
DE5.5-14	4.5									
DE5.5-18S	3.0	18.0	32.2							
DE5.5-18	4.5									

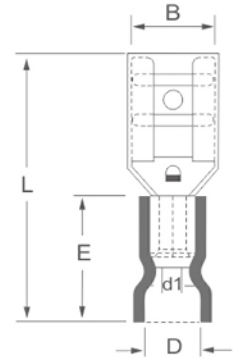
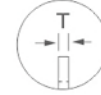
(易捷形) 针形绝缘端子
Easy-Joint PVC-Insulated
Pin Terminal



易捷形绝缘端子系列
Easy-Joint Insulated
Terminal Series

型号 ITEM NO.	尺寸 DIMENSION mm							包装 PCS/ PACK	颜色 COLOR	说明 EXPLANATION
	B	F	L	E	D	d1	T			
PE1.25-7	1.9	7.0	17.8	10.7	5.8	4.2	0.7	1000	● 红 Red	导线截面:0.5~1.5mm ² (美国线规22~16) 最大电流: I _{max} =19A 材质:紫铜 绝缘套管: PVC Lead Section:0.5~1.5mm ² (A.W. G.22~16) Max Current:I _{max} =19A Material:Copper Insulation: PVC
PE1.25-9		9.0	19.8							
PE1.25-10		10.0	20.8							
PE1.25-12		12.0	22.8							
PE1.25-13		13.0	23.8							
PE1.25-18		18.0	28.8							
PE2-8	1.9	8.0	19.0	11.0	6.4	4.5	0.8	1000	● 蓝 Blue	导线截面:1.5~2.5mm ² (美国线规16~14) 最大电流: I _{max} =27A 材质:紫铜 绝缘套管: PVC Lead Section:1.5~2.5mm ² (A.W. G.16~14) Max Current:I _{max} =27A Material:Copper Insulation: PVC
PE2-9		9.0	20.0							
PE2-10		10.0	21.0							
PE2-12		12.0	23.0							
PE2-13		13.0	24.0							
PE2-18		18.0	29.0							
PE3.5-7	2.8	7.0	21.8	14.0	7.0	5.2	1.0	500	● 黑 Black	导线截面:2.5~4mm ² (美国线规14~12) 最大电流: I _{max} =48A 材质:紫铜 绝缘套管: PVC Lead Section:2.5~4mm ² (A.W. G.14~12) Max Current:I _{max} =48A Material:Copper Insulation: PVC
PE3.5-10		10.0	24.8							
PE3.5-13		13.0	27.8							
PE5.5-7	2.8	7.0	21.7	14.2	7.5	5.8	1.0	500	● 黄 Yellow	导线截面:4~6mm ² (美国线规12~10) 最大电流: I _{max} =48A 材质:紫铜 绝缘套管: PVC Lead Section:4~6mm ² (A.W. G.12~10) Max Current:I _{max} =48A Material:Copper Insulation: PVC
PE5.5-10		10.0	24.7							
PE5.5-13		13.0	27.7							
PE5.5-18		18.0	32.7							

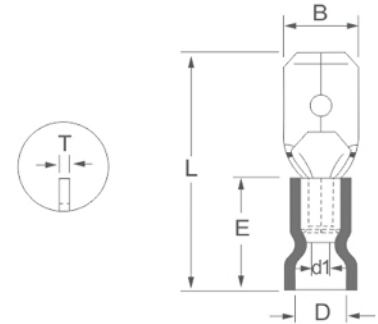
(易捷形) 母绝缘接头
Easy-Joint PVC-Insulated
Female Connector



Easy-Joint Insulated
Terminal Series
易捷形绝缘端子系列

型号 ITEM NO.	接插规格 Nema Tab	尺寸 DIMENSION mm						包装 PCS/ PACK	颜色 COLOR	说明 EXPLANATION			
		B	L	E	D	d1	T						
FE1.25-110(5)	0.5×2.8	3.3	19.0	10.5	3.6	1.7	0.3	1000	● 红Red	导线截面:0.5~1.5mm ² (美国线规22~16) 最大电流: I _{max} =19A 材质:黄铜 绝缘套管: PVC			
FE1.25-110(8)	0.8×2.8						0.35						
FE1.25-187(5)	0.5×4.75	5.0	19.5				0.4						
FE1.25-187(8)	0.8×4.75						0.35						
FE1.25-205	0.5×5.2	5.7	19.5				500				● 蓝Blue	导线截面:1.5~2.5mm ² (美国线规16~14) 最大电流: I _{max} =27A 材质:黄铜 绝缘套管: PVC	
FE1.25-250	0.8×6.35	6.6	20.3										0.4
FE1.25-312	0.8×8.0	8.2	23.5										0.5
FE2-110(5)	0.5×2.8	3.3	19.0	10.5	4.1	2.3	0.3	1000	● 蓝Blue	Lead Section:0.5~1.5mm ² (A.W. G.22~16) Max Current:I _{max} =19A Material:Brass Insulation: PVC			
FE2-110(8)	0.8×2.8						0.35						
FE2-187(5)	0.5×4.75	5.0	19.5				0.4						
FE2-187(8)	0.8×4.75						0.35						
FE2-205	0.5×5.2	5.7	19.5				500				● 黄Yellow	导线截面:4~6mm ² (美国线规12~10) 最大电流: I _{max} =48A 材质:黄铜 绝缘套管: PVC	
FE2-250	0.8×6.35	6.6	20.3										0.4
FE2-312	0.8×8.0	8.2	24.2										0.5
FE2-375	1.2×9.4	9.9	28.1	13.5	5.2	3.4	0.35	1000	● 黄Yellow	Lead Section:1.5~2.5mm ² (A.W. G.16~14) Max Current:I _{max} =27A Material:Brass Insulation: PVC			
FE5.5-110(5)	0.5×2.8	3.3	21.5				0.4						
FE5.5-110(8)	0.8×2.8						5.0				22.5	0.4	
FE5.5-187(5)	0.5×4.75	6.6	23.9										500
FE5.5-187(8)	0.8×4.75						8.2				27.8	0.5	
FE5.5-250	0.8×6.35	0.5											
FE5.5-312	0.8×8.0	8.2	27.8				500				● 黄Yellow	Lead Section:4~6mm ² (A.W. G.12~10) Max Current:I _{max} =48A Material:Brass Insulation: PVC	
FE5.5-375	1.2×9.4	9.9	30.1	0.5									

(易捷形) 公绝缘接头
Easy-Joint PVC-Insulated
Male Connector



易捷形绝缘端子系列
Terminal Series

型号 ITEM NO.	接插规格 Nema Tab	尺寸 DIMENSION mm						包装 PCS/ PACK	颜色 COLOR	说明 EXPLANATION
		B	L	E	D	d1	T			
ME1.25-110(5)	0.5×2.8	2.8	18.2	10.5	3.6	1.7	0.5	1000	● 红Red	导线截面:0.5~1.5mm ² (美国线规22~16) 最大电流: I _{max} =19A 材质:黄铜 绝缘套管: PVC
ME1.25-110(8)	0.8×2.8						0.8			
ME1.25-187(5)	0.5×4.75	4.75	20.5				0.5			
ME1.25-187(8)	0.8×4.75			0.4×2						
ME1.25-187(8L)	0.8×4.75	4.75	20.5	10.5	4.1	2.3	0.8			
ME1.25-250	0.8×6.35	6.35	21.5	10.5	3.6	1.7	0.4×2			
ME2-110(5)	0.5×2.8	2.8	18.2	10.5	4.1	2.3	0.5	1000	● 蓝Blue	导线截面:1.5~2.5mm ² (美国线规16~14) 最大电流: I _{max} =27A 材质:黄铜 绝缘套管: PVC
ME2-110(8)	0.8×2.8						0.8			
ME2-187(5)	0.5×4.75	4.75	20.5				0.5			
ME2-187(8)	0.8×4.75			0.4×2						
ME2-187(8L)	0.8×4.75	4.75	20.5			3.4	0.8			
ME2-250	0.8×6.35	6.35	21.5			2.3	0.4×2			
ME5.5-110(5)	0.5×2.8	2.8	20.5	13.5	5.2	3.4	0.5	1000	● 黄Yellow	导线截面:4~6mm ² (美国线规12~10) 最大电流: I _{max} =48A 材质:黄铜 绝缘套管: PVC
ME5.5-110(8)	0.8×2.8						0.8			
ME5.5-187(5)	0.5×4.75	4.75	22.5				0.5			
ME5.5-187(8)	0.8×4.75			0.4×2						
ME5.5-250	0.8×6.35	6.35	23.5			0.4×2	500			



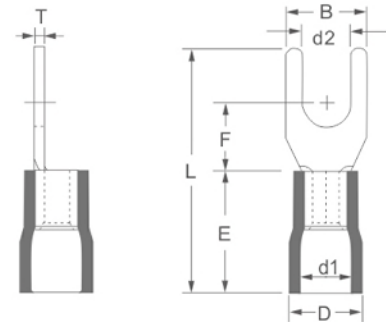
尼龙绝缘端子系列

Nylon-Insulated Terminal Series

Nylon-Insulated
Terminal Series
尼龙绝缘端子系列



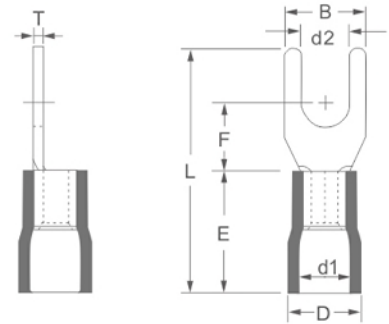
叉形 (尼龙) 绝缘端子 Nylon-Insulated Fork Terminal



尼龙绝缘端子系列
Nylon-Insulated
Terminal Series

型号 ITEM NO.	STUD SIZE 美制螺栓号 螺栓口直径		尺寸 DIMENSION mm							包装 PCS/ PACK	颜色 COLOR	说明 EXPLANATION		
	American	Metric d2	B	F	L	E	D	d1	T					
SNY1.25-3	#4	3.2	5.7	6.5	22.0	10.7	5.6	4.3	0.7	1000	● 红 Red	导线截面:0.5~1.5mm ² (美国线规22~16) 最大电流: I _{max} =19A 材质:紫铜 绝缘套管: 尼龙(PA66) 耐温: 105°C 电压: 400V		
SNY1.25-3.5S	#6	3.7												
SNY1.25-3.5L	#6	3.7	6.4											
SNY1.25-4S	#8	4.3												
SNY1.25-4M	#8	4.3	7.2											
SNY1.25-4L	#8	4.3												
SNY1.25-5S	#10	5.3	8.1											
SNY1.25-5L	#10	5.3												
SNY1.25-6S	1/4	6.5	9.5											
SNY1.25-6L	1/4	6.5												
SNY1.25-8	5/16	8.5	14.0	11.0	28.0	6.5	22.2	11.0	6.6	4.9	0.8	1000	● 蓝 Blue	导线截面:1.5~2.5mm ² (美国线规16~14) 最大电流: I _{max} =27A 材质:紫铜 绝缘套管: 尼龙(PA66) 耐温: 105°C 电压: 400V
SNY2-3	#4	3.2	5.7	21.5										
SNY2-3.5S	#6	3.7												
SNY2-3.5L	#6	3.7	6.5											
SNY2-4S	#8	4.3												
SNY2-4M	#8	4.3	7.2											
SNY2-4L	#8	4.3												
SNY2-5S	#10	5.3	8.2											
SNY2-5L	#10	5.3												
SNY2-6S	1/4	6.5	9.5											
SNY2-6L	1/4	6.5												
SNY2-8	5/16	8.5	14.0	12.5	29.5									

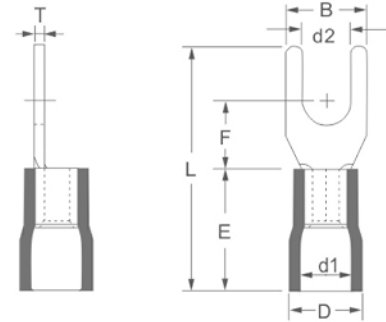
叉形 (尼龙) 绝缘端子 Nylon-Insulated Fork Terminal



尼龙绝缘端子系列
Nylon-Insulated Terminal Series

型号 ITEM NO.	STUD SIZE 美制螺栓号 螺栓口直径		尺寸 DIMENSION mm							包装 PCS/ PACK	颜色 COLOR	说明 EXPLANATION	
	American	Metric d2	B	F	L	E	D	d1	T				
SNY3.5-3	#4	3.2	8.0	7.0	26.3	14.0	8.2	6.8	1.0	500	● 黑 Black	导线截面:2.5~4mm ² (美国线规14~12) 最大电流: I _{max} =37A 材质:紫铜 绝缘套管: 尼龙(PA66) 耐温: 105°C 电压: 400V	
SNY3.5-3.5	#6	3.7											
SNY3.5-4	#8	4.3											
SNY3.5-5S	#10	5.3											
SNY3.5-6S	1/4	6.5	9.0	7.5	27.0	14.2	8.4	7.0	1.0	500	● 黄 Yellow	导线截面:4~6mm ² (美国线规12~10) 最大电流: I _{max} =48A 材质:紫铜 绝缘套管: 尼龙(PA66) 耐温: 105°C 电压: 400V	
SNY3.5-6L	1/4	6.5	12.0	9.1	29.5								
SNY3.5-8	5/16	8.5	14.0	11.5	31.8								
SNY3.5-10	3/8	10.5	17.5	12.5	34.5								
SNY5.5-3	#4	3.2	8.3	7.5	27.0	14.2	8.4	7.0	1.0	500	● 黄 Yellow	导线截面:4~6mm ² (美国线规12~10) 最大电流: I _{max} =48A 材质:紫铜 绝缘套管: 尼龙(PA66) 耐温: 105°C 电压: 400V	
SNY5.5-3.5	#6	3.7											
SNY5.5-4S	#8	4.3											
SNY5.5-4L	#8	4.3	8.9	27.5	12.0								32.5
SNY5.5-5	#10	5.3	9.0	27.0									
SNY5.5-6S	1/4	6.5	12.0	9.1		29.5							
SNY5.5-6L	1/4	6.5	14.0	11.5		31.8							
SNY5.5-8	5/16	8.5	17.5	12.5	34.5	14.2	8.4	7.0	1.0	500	● 黄 Yellow	导线截面:4~6mm ² (美国线规12~10) 最大电流: I _{max} =48A 材质:紫铜 绝缘套管: 尼龙(PA66) 耐温: 105°C 电压: 400V	
SNY5.5-10	3/8	10.5	17.5	12.5	34.5								

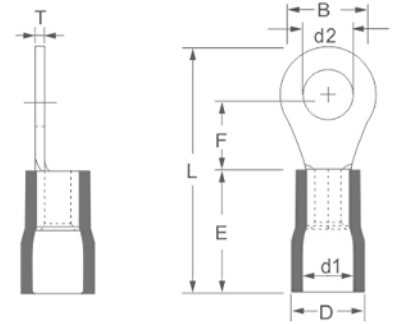
叉形 (尼龙) 绝缘端子 Nylon-Insulated Fork Terminal



尼龙绝缘端子系列
Nylon-Insulated
Terminal Series

型号 ITEM NO.	STUD SIZE 美制螺栓号 螺栓口直径		尺寸 DIMENSION mm							包装 PCS/ PACK	颜色 COLOR	说明 EXPLANATION
	American	Metric d2	B	F	L	E	D	d1	T			
SNY8-4S	#8	4.3	8.0	7.2	31.2	16.7	10.0	8.0	1.2	500	● 红 Red	导线截面: 8~10mm ² (美国线规8) 最大电流: I _{max} =62A 材质: 紫铜 绝缘套管: 尼龙(PA66) 耐温: 105°C 电压: 400V Lead Section: 8~10mm ² (A.W. G.8) Max Current: I _{max} =62A Material: Copper Insulation: Nylon(PA66) Temperature: 105°C Voltage: 400V
SNY8-4M	#8	4.3	9.0	7.5	31.7							
SNY8-4L	#8	4.3	10.5	9.0	31.2							
SNY8-5S	#10	5.3	9.0	7.5	29.4							
SNY8-5M	#10	5.3			31.7							
SNY8-5L	#10	5.3	10.8	7.2	31.2							
SNY8-6	1/4	6.5										
SNY8-8	5/16	8.5	14.5	11.0	36.2							
SNY8-10	3/8	10.5	16.0									
SNY14-4	#8	4.3	9.0	12.0	39.0	22.8	12.4	10.0	1.5	200	● 蓝 Blue	导线截面: 10~16mm ² (美国线规6) 最大电流: I _{max} =88A 材质: 紫铜 绝缘套管: 尼龙(PA66) Lead Section: 10~16mm ² (A.W. G.6) Max Current: I _{max} =88A Material: Copper Insulation: Nylon(PA66)
SNY14-5	#10	5.3	11.0	10.2	40.0							
SNY14-6	1/4	6.5										
SNY14-8	5/16	8.5	13.8	10.7	40.3							
SNY14-10	3/8	10.5	15.9									
SNY22-5	#10	5.3	12.8	13.5	45.2	24.2	14.8	13.2	1.8	100	● 黄 Yellow	导线截面: 16~25mm ² (美国线规4) 最大电流: I _{max} =115A 材质: 紫铜 绝缘套管: 尼龙(PA66) Lead Section: 16~25mm ² (A.W. G.4) Max Current: I _{max} =115A Material: Copper Insulation: Nylon(PA66)
SNY22-6	1/4	6.5										
SNY22-8S	5/16	8.5										
SNY22-8	5/16	8.5	16.5	13.7	45.7							
SNY22-10	3/8	10.5										

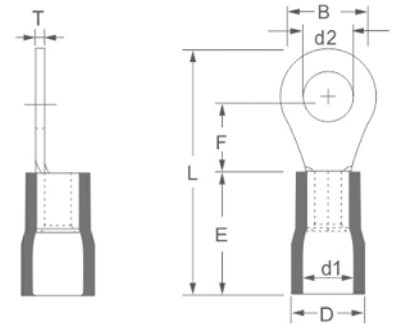
圆形 (尼龙) 绝缘端子 Nylon-Insulated Ring Terminal



尼龙绝缘端子系列
Nylon-Insulated Terminal Series

型号 ITEM NO.	STUD SIZE 美制螺栓号 螺栓口直径		尺寸 DIMENSION mm							包装 PCS/ PACK	颜色 COLOR	说明 EXPLANATION
	American	Metric d2	B	F	L	E	D	d1	T			
RNY1.25-3	#4	3.2	5.7	5.0	18.7	10.7	5.6	4.3	0.7	1000	● 红 Red	导线截面:0.5~1.5mm ² (美国线规22~16) 最大电流: I _{max} =19A 材质:紫铜 绝缘套管:尼龙(PA66) 耐温: 105°C 电压: 400V Lead Section: 0.5~1.5mm ² (A.W. G.22-16) Max Current:I _{max} =19A Material:Copper Insulation: Nylon(PA66) Temperature :105°C Voltage: 400V
RNY1.25-3.5S	#6	3.7										
RNY1.25-3.5M	#6	3.7										
RNY1.25-3.5L	#6	3.7										
RNY1.25-4S	#8	4.3										
RNY1.25-4L	#8	4.3										
RNY1.25-5S	#10	5.3										
RNY1.25-5L	#10	5.3										
RNY1.25-5LL	#10	5.3										
RNY1.25-6S	1/4	6.5										
RNY1.25-6L	1/4	6.5										
RNY1.25-8	5/16	8.5										
RNY1.25-8L	5/16	8.5										
RNY1.25-10	3/8	10.5										
RNY1.25-10L	3/8	10.5										
RNY1.25-12	1/2	13.0	18.0	15.0	34.7							
RNY1.25-14	9/16	15.0										
RNY1.25-16	5/8	17.0										
RNY1.25-18	11/16	19.0										
RNY1.25-20	3/4	21.0	27.0	21.0	45.2					500		

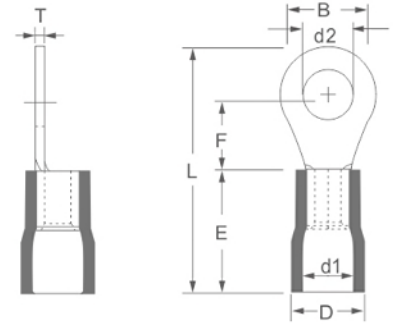
圆形 (尼龙) 绝缘端子 Nylon-Insulated Ring Terminal



型号 ITEM NO.	STUD SIZE 美制螺栓号 螺栓口直径		尺寸 DIMENSION mm							包装 PCS/ PACK	颜色 COLOR	说明 EXPLANATION
	American	Metric d2	B	F	L	E	D	d1	T			
RNY2-3	#4	3.2	6.6	4.3	18.4	11.0	6.6	4.9	0.8	1000	● 蓝 Blue	导线截面:1.5~2.5mm ² (美国线规16~14) 最大电流: I _{max} =27A 材质:紫铜 绝缘套管: 尼龙(PA66) 耐温: 105°C 电压: 400V
RNY2-3.5S	#6	3.7		6.3	20.4							
RNY2-3.5M	#6	3.7		7.4	22.4							
RNY2-3.5L	#6	3.7	8.5	23.0								
RNY2-4S	#8	4.3	6.6	6.3	20.4							
RNY2-4L	#8	4.3	8.5	22.4								
RNY2-5S	#10	5.3	9.5	23.0								
RNY2-5L	#10	5.3	12.0	11.0	27.4							
RNY2-6S	1/4	6.5	13.6	13.9	31.4							
RNY2-6L	1/4	6.5	18.2	15.0	35.2							
RNY2-8	5/16	8.5	27.0	21.0	45.2	27.0	21.0	45.2	500			
RNY2-8L	5/16	8.5										
RNY2-10	3/8	10.5										
RNY2-10L	3/8	10.5										
RNY2-12	1/2	13.0										
RNY2-14	9/16	15.0										
RNY2-16	5/8	17.0										
RNY2-18	11/16	19.0										
RNY2-20	3/4	21.0										

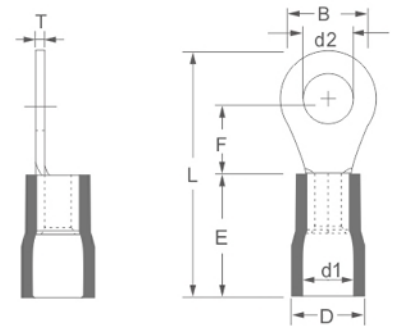
尼龙绝缘端子系列
Nylon-Insulated
Terminal Series

圆形 (尼龙) 绝缘端子 Nylon-Insulated Ring Terminal


 尼龙绝缘端子系列
Nylon-Insulated Terminal Series

型号 ITEM NO.	STUD SIZE 美制螺栓号 螺栓口直径		尺寸 DIMENSION mm							包装 PCS/ PACK	颜色 COLOR	说明 EXPLANATION			
	American	Metric d2	B	F	L	E	D	d1	T						
RNY3.5-3	#4	3.2	8.0	8.0	26.0	14.0	8.2	6.8	1.0	500	● 黑 Black	导线截面:2.5~4mm ² (美国线规14~12) 最大电流: I _{max} =37A 材质:紫铜 绝缘套管: 尼龙(PA66) 耐温: 105°C 电压: 400V			
RNY3.5-3.5	#6	3.7													
RNY3.5-4	#8	4.3													
RNY3.5-4M	#8	4.3											9.5	8.3	28.0
RNY3.5-5S	#10	5.3											8.0	8.0	26.0
RNY3.5-5M	#10	5.3											9.5	8.3	28.0
RNY3.5-5L	#10	5.3											12.0	9.5	29.5
RNY3.5-6	1/4	6.5													
RNY3.5-8	5/16	8.5											15.0	13.5	35.0
RNY3.5-10	3/8	10.5													
RNY3.5-12	1/2	13.0	19.2	16.0	40.0										
RNY5.5-3	#4	3.2	7.2	6.0	23.7	14.2	8.4	7.0	1.0	500	● 黄 Yellow	导线截面:4~6mm ² (美国线规12~10) 最大电流: I _{max} =48A 材质:紫铜 绝缘套管: 尼龙(PA66) 耐温: 105°C 电压: 400V			
RNY5.5-3.5	#6	3.7													
RNY5.5-4S	#8	4.3													
RNY5.5-4L	#8	4.3											9.5	8.2	27.0
RNY5.5-5	#10	5.3													
RNY5.5-6	1/4	6.5											12.0	10.5	30.3
RNY5.5-6M	1/4	6.5												13.0	33.0
RNY5.5-8	5/16	8.5											15.0	13.5	34.8
RNY5.5-10	3/8	10.5													
RNY5.5-12	1/2	13.0											19.2	16.0	40.0
RNY5.5-14	9/16	15.0	32.0	25.2	55.2	200									
RNY5.5-16	5/8	17.0													
RNY5.5-18	11/16	19.0													
RNY5.5-20	3/4	21.0													

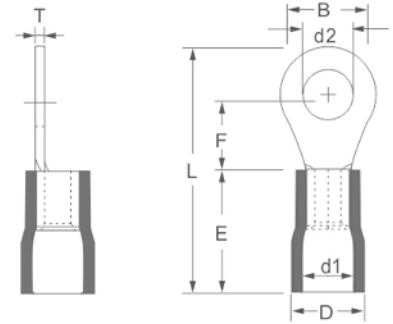
圆形 (尼龙) 绝缘端子 Nylon-Insulated Ring Terminal



尼龙绝缘端子系列
Nylon-Insulated
Terminal Series

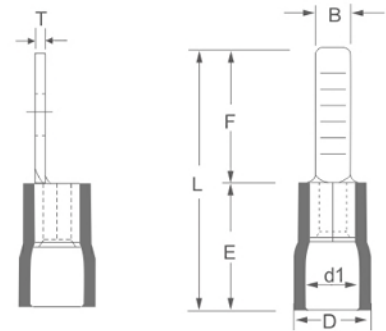
型号 ITEM NO.	STUD SIZE 美制螺栓号 螺栓口直径		尺寸 DIMENSION mm							包装 PCS/ PACK	颜色 COLOR	说明 EXPLANATION
	American	Metric d2	B	F	L	E	D	d1	T			
RNY8-4S	#8	4.3	8.8	10.5	31.8	16.7	10.0	8.0	1.2	500	● 红 Red	导线截面:6~10mm ² (美国线规8) 最大电流: I _{max} =62A 材质:紫铜 绝缘套管: 尼龙(PA66) 耐温: 105°C 电压: 400V
RNY8-4L	#8	4.3	12.0	9.3	32.2							
RNY8-5S	#10	5.3	8.8	10.5	31.8							
RNY8-6S	1/4	6.5	12.0	9.3	32.2							
RNY8-8	5/16	8.5	15.0	13.8	38.0							
RNY8-10	3/8	10.5										
RNY8-12	1/2	13.0	20.0	15.0	41.4							
RNY8-14	9/16	15.0	31.7	25.5	58.0							
RNY8-16	5/8	17.0										
RNY8-18	11/16	19.0										
RNY8-20	3/4	21.0										
RNY14-4	#8	4.3	12.0	13.3	41.8	22.8	12.4	10.0	1.5	200	● 蓝 Blue	导线截面:10~16mm ² (美国线规6) 最大电流: I _{max} =88A 材质:紫铜 绝缘套管: 尼龙(PA66) 耐温: 105°C 电压: 400V
RNY14-5SS	#10	5.3	12.1	11.5	39.3							
RNY14-5S	#10	5.3	12.0	13.3	41.8							
RNY14-5L	#10	5.3	16.0	14.2	44.8							
RNY14-6SS	1/4	6.5	12.1	11.5	39.3							
RNY14-6S	1/4	6.5	12.0	13.3	41.8							
RNY14-6L	1/4	6.5	16.0	14.2	44.8							
RNY14-8	5/16	8.5										
RNY14-10	3/8	10.5										
RNY14-12	1/2	13.0										
RNY14-14	9/16	15.0	31.7	25.5	63.3							
RNY14-16	5/8	17.0										
RNY14-18	11/16	19.0										
RNY14-20	3/4	21.0										

圆形 (尼龙) 绝缘端子 Nylon-Insulated Ring Terminal


 尼龙绝缘端子系列
Nylon-Insulated Terminal Series

型号 ITEM NO.	STUD SIZE 美制螺栓号 螺栓口直径		尺寸 DIMENSION mm							包装 PCS/ PACK	颜色 COLOR	说明 EXPLANATION								
	American	Metric d2	B	F	L	E	D	d1	T											
RNY22-4S	#8	4.3	12.1	14.5	44.8	24.2	14.8	13.2	1.8	200	● 黄 Yellow	导线截面:16~25mm ² (美国线规4) 最大电流: I _{max} =115A 材质:紫铜 绝缘套管: 尼龙(PA66) 耐温: 105°C 电压: 400V								
RNY22-5S	#10	5.3																		
RNY22-5L	#10	5.3	16.5	13.5	45.2															
RNY22-6S	1/4	6.5	12.1	14.5	44.8															
RNY22-6L	1/4	6.5	16.5	13.5	45.2															
RNY22-8	5/16	8.5																		
RNY22-10	3/8	10.5	31.7	24.5	63.7															
RNY22-12	1/2	13.0											22.0	19.7	54.4					
RNY22-14	9/16	15.0											100	27.0	16.3	14.7	1.8	100	● 红 Red	导线截面:30~50mm ² (美国线规2) 最大电流: I _{max} =160A 材质:紫铜 绝缘套管: 尼龙(PA66) 耐温: 105°C 电压: 400V
RNY22-16	5/8	17.0																		
RNY22-18	11/16	19.0																		
RNY22-20	3/4	21.0																		
RNY38-5	#10	5.3	15.3	17.4	52.0	27.0	16.3	14.7	1.8	100	● 红 Red	导线截面:30~50mm ² (美国线规2) 最大电流: I _{max} =160A 材质:紫铜 绝缘套管: 尼龙(PA66) 耐温: 105°C 电压: 400V								
RNY38-6S	1/4	6.5	22.0	17.7	55.5															
RNY38-6L	1/4	6.5											15.3	17.4	52.0					
RNY38-8S	5/16	8.5	22.0	17.7	55.5															
RNY38-8L	5/16	8.5											15.3	17.4	52.0					
RNY38-10S	3/8	10.5	22.0	17.7	55.5															
RNY38-10L	3/8	10.5											31.7	23.5	65.0					
RNY38-11	7/16	11.5																		
RNY38-12	1/2	13.0	50	27.0	16.3											14.7	1.8	100	● 红 Red	导线截面:30~50mm ² (美国线规2) 最大电流: I _{max} =160A 材质:紫铜 绝缘套管: 尼龙(PA66) 耐温: 105°C 电压: 400V
RNY38-14	9/16	15.0																		
RNY38-16	5/8	17.0																		
RNY38-18	11/16	19.0																		
RNY38-20	3/4	21.0																		

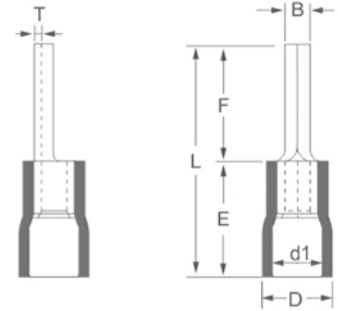
片形 (尼龙) 绝缘端子 Nylon-Insulated Blade Terminal



尼龙绝缘端子系列
Nylon-Insulated
Terminal Series

型号 ITEM NO.	尺寸 DIMENSION mm							包装 PCS/ PACK	颜色 COLOR	说明 EXPLANATION
	B	F	L	E	D	d1	T			
DBNY1.25-10	2.3	10.0	20.7	10.7	5.6	4.3	0.7	1000	● 红 Red	导线截面:0.5~1.5mm ² (美国线规22~16) 最大电流: I _{max} =19A 材质:紫铜 绝缘套管: 尼龙(PA66)
DBNY1.25-11	3.0	11.0	21.7							
DBNY1.25-14S	2.4	14.0	24.7							
DBNY1.25-14L	3.0									
DBNY1.25-18	2.3	18.0	28.7							
DBNY2-9	2.8	9.0	20.0	11.0	6.6	4.9	0.8	1000	● 蓝 Blue	导线截面:1.5~2.5mm ² (美国线规16~14) 最大电流: I _{max} =27A 材质:紫铜 绝缘套管: 尼龙(PA66)
DBNY2-10	2.8	10.0	21.0							
DBNY2-14S	2.4	14.0	25.0							
DBNY2-14L	3.0									
DBNY2-18	2.3	18.0	29.0							
DBNY5.5-10	2.8	10.0	24.2	14.2	8.4	7.0	1.0	500	● 黄 Yellow	导线截面:4~6mm ² (美国线规12~10) 最大电流: I _{max} =48A 材质:紫铜 绝缘套管: 尼龙(PA66)
DBNY5.5-14S	3.0	14.0	28.2							
DBNY5.5-14	4.5									
DBNY5.5-18S	3.0	18.0	32.2							
DBNY5.5-18	4.5									
DBNY8-14	6.1	14.0	30.7	16.7	10.0	8.0	1.2	500	● 红 Red	材质:紫铜 绝缘套管: 尼龙(PA66)
DBNY14-16	6.1	16.0	38.5	22.8	12.4	10.0	1.5	200	● 蓝 Blue	
DBNY22-17	7.1	17.0	41.2	24.2	14.8	13.2	1.8	200	● 黄 Yellow	
DBNY38-17	7.7		44.0	27.0	16.3	14.7	1.8	100	● 红 Red	

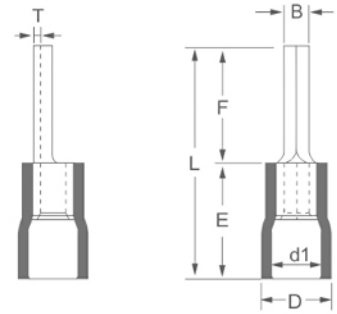
针形 (尼龙) 绝缘端子 Nylon-Insulated Pin Terminal



尼龙绝缘端子系列
Nylon-Insulated Terminal Series

型号 ITEM NO.	尺寸 DIMENSION mm							包装 PCS/ PACK	颜色 COLOR	说明 EXPLANATION
	B	F	L	E	D	d1	T			
PTNY1.25-7	1.9	7.0	17.7	10.7	5.6	4.3	0.7	1000	● 红 Red	导线截面:0.5~1.5mm ² (美国线规22~16) 最大电流: I _{max} =19A 材质:紫铜 绝缘套管: 尼龙(PA66) Lead Section:0.5~1.5mm ² (A.W. G.22~16) Max Current:I _{max} =19A Material:Copper Insulation: Nylon(PA66)
PTNY1.25-9		9.0	19.7							
PTNY1.25-10		10.0	20.7							
PTNY1.25-12		12.0	22.7							
PTNY1.25-13		13.0	23.7							
PTNY1.25-18		18.0	28.7							
PTNY2-8	1.9	8.0	19.0	11.0	6.6	4.9	0.8	1000	● 蓝 Blue	导线截面:1.5~2.5mm ² (美国线规16~14) 最大电流: I _{max} =27A 材质:紫铜 绝缘套管: 尼龙(PA66) Lead Section:1.5~2.5mm ² (A.W. G.16~14) Max Current:I _{max} =27A Material:Copper Insulation: Nylon(PA66)
PTNY2-9		9.0	20.0							
PTNY2-10		10.0	21.0							
PTNY2-12		12.0	23.0							
PTNY2-13		13.0	24.0							
PTNY2-18		18.0	29.0							
PTNY3.5-7	2.8	7.0	21.8	14.0	8.2	6.8	1.0	500	● 黑 Black	导线截面:2.5~4mm ² (美国线规14~12) 最大电流: I _{max} =48A 材质:紫铜 绝缘套管: 尼龙(PA66) Lead Section:2.5~4mm ² (A.W. G.14~12) Max Current:I _{max} =48A Material:Copper Insulation: Nylon(PA66)
PTNY3.5-10		10.0	24.8							
PTNY3.5-13		13.0	27.8							
PTNY5.5-7	2.8	7.0	21.7	14.2	8.4	7.0	1.0	500	● 黄 Yellow	导线截面:4~6mm ² (美国线规12~10) 最大电流: I _{max} =48A 材质:紫铜 绝缘套管: 尼龙(PA66) Lead Section:4~6mm ² (A.W. G.12~10) Max Current:I _{max} =48A Material:Copper Insulation: Nylon(PA66)
PTNY5.5-10		10.0	24.7							
PTNY5.5-13		13.0	27.7							
PTNY5.5-18		18.0	32.7							

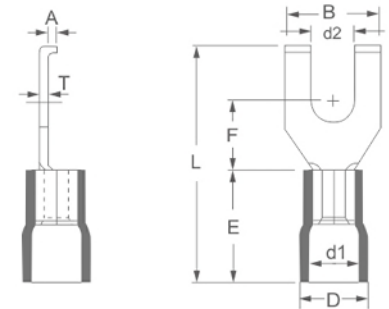
针形 (尼龙) 绝缘端子 Nylon-Insulated Pin Terminal



型号 ITEM NO.	尺寸 DIMENSION mm							包装 PCS/ PACK	颜色 COLOR	说明 EXPLANATION
	B	F	L	E	D	d1	T			
PTNY10-12	4.3	12.0	29.5	15.5	10.8	8.6	1.1	500	● 红 Red	材质:紫铜 绝缘套管: 尼龙(PA66) Material:Copper Insulation: Nylon(PA66)
PTNY16-13	5.5	13.0	35.2	19.2	12.0	10.0	1.2	500	● 蓝 Blue	
PTNY25-15	6.8	15.0	44.8	24.5	13.2	11.5	1.2	200	● 黄 Yellow	
PTNY35-20	8.0	20.0	54.2	29.6	15.8	13.8	1.5	200	● 红 Red	
PTNY50-20	9.5	20.0	61.0	35.0	18.0	15.8	1.8	100	● 黑 Black	
PTNY70-25	11.0	23.5	75.5	44.0	20.4	18.2	2.0	50	● 黑 Black	
PTNY95-25	12.5	23.5	75.5	44.0	24.4	21.6	2.5	50	● 黑 Black	

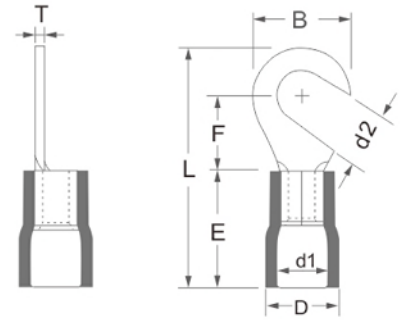
尼龙绝缘端子系列
Nylon-Insulated
Terminal Series

凸形 (尼龙) 绝缘端子 Nylon-Insulated Convex Fork Terminal



型号 ITEM NO.	STUD SIZE 美制螺栓号 螺栓口直径		尺寸 DIMENSION mm								包装 PCS/ PACK	颜色 COLOR	说明 EXPLANATION
	American	Metric d2	B	F	L	E	D	d1	A	T			
FSNY1.25-3	#4	3.2	7.5	5.1	19.9	10.7	5.6	4.3	1.5	0.7	1000	● 红 Red	导线截面:0.5~1.5mm ² (美国线规22~16) 最大电流: I _{max} =19A 材质:紫铜 绝缘套管: 尼龙(PA66) Lead Section:0.5~1.5mm ² (A.W. G.22~16) Max Current:I _{max} =19A Material:Copper Insulation:Nylon(PA66)
FSNY1.25-3.5	#6	3.7											
FSNY1.25-4	#8	4.3											
FSNY1.25-5	#10	5.3											
FSNY2-3.5	#6	3.7	7.5	5.2	20.6	11.0	6.6	4.9	1.5	0.8	1000	● 蓝 Blue	导线截面:1.5~2.5mm ² (美国线规16~14) 最大电流: I _{max} =27A 材质:紫铜 绝缘套管: 尼龙(PA66) Lead Section:1.5~2.5mm ² (A.W. G.16~14) Max Current:I _{max} =27A Material:Copper Insulation:Nylon(PA66)
FSNY2-4	#8	4.3											
FSNY2-5	#10	5.3											
FSNY5.5-3.5	#6	3.7	8.5	7.5	27.4	14.2	8.4	7.0	1.5	1.0	500	● 黄 Yellow	导线截面:4~6mm ² (美国线规12~10) 最大电流: I _{max} =48A 材质:紫铜 绝缘套管: 尼龙(PA66) Lead Section:4~6mm ² (A.W. G.12~10) Max Current:I _{max} =48A Material:Copper Insulation: Nylon(PA66)
FSNY5.5-4	#8	4.3											
FSNY5.5-5	#10	5.3											

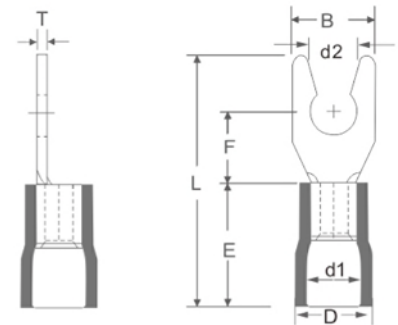
钩形 (尼龙) 绝缘端子 Nylon-Insulated Hook Terminal



尼龙绝缘端子系列
Nylon-Insulated Terminal Series

型号 ITEM NO.	STUD SIZE 美制螺栓号 螺栓口直径		尺寸 DIMENSION mm							包装 PCS/ PACK	颜色 COLOR	说明 EXPLANATION
	American	Metric d2	B	F	L	E	D	d1	T			
HNY1.25-3.5	#6	3.7	8.0	7.0	21.7	10.7	5.6	4.3	0.7	1000	● 红 Red	导线截面:0.5~1.5mm ² (美国线规22~16) 最大电流: I _{max} =19A 材质:紫铜 绝缘套管: 尼龙(PA66)
HNY1.25-4	#8	4.3										
HNY1.25-5	#10	5.3										
HNY1.25-6	1/4	6.5	11.6	11.0	27.7	11.0	6.6	4.9	0.8	1000	● 蓝 Blue	Lead Section:0.5~1.5mm ² (A.W. G.22~16) Max Current:I _{max} =19A Material:Copper Insulation: Nylon(PA66)
HNY2-3.5	#6	3.7	8.5	7.4	22.7							
HNY2-4	#8	4.3	9.5	7.3	22.7							
HNY2-5	#10	5.3										
HNY2-6	1/4	6.5	12.0	11.0	27.7	14.2	8.4	7.0	1.0	500	● 黄 Yellow	导线截面:1.5~2.5mm ² (美国线规16~14) 最大电流: I _{max} =27A 材质:紫铜 绝缘套管: 尼龙(PA66)
HNY5.5-3.5	#6	3.7	7.2	6.2	23.4							
HNY5.5-4	#8	4.3	9.5	9.5	27.5							
HNY5.5-5	#10	5.3										
HNY5.5-6	1/4	6.5	12.0	10.3	30.2							
HNY5.5-8	5/16	8.5	15.0	13.5	34.7	Lead Section:4~6mm ² (A.W. G.12~10) Max Current:I _{max} =48A Material:Copper Insulation: Nylon(PA66)						

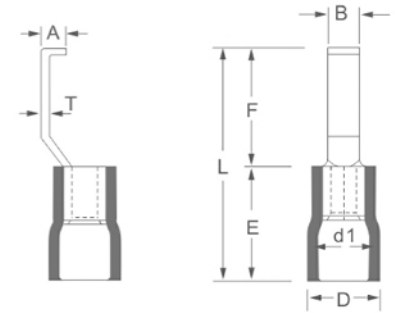
锁扣形 (尼龙) 绝缘端子
Nylon-Insulated
Lock Fork Terminal



尼龙绝缘端子系列
Nylon-Insulated
Terminal Series

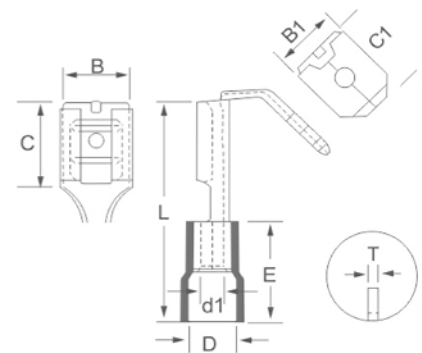
型号 ITEM NO.	STUD SIZE 美制螺栓号 螺栓口直径		尺寸 DIMENSION mm							包装 PCS/ PACK	颜色 COLOR	说明 EXPLANATION	
	American	Metric d2	B	F	L	E	D	d1	T				
LSNY1.25-3.5	#6	3.7	6.4	6.5	21.9	10.7	5.6	4.3	0.7	1000	● 红 Red	导线截面:0.5~1.5mm ² (美国线规22~16) 最大电流: I _{max} =19A 材质:紫铜 绝缘套管: 尼龙(PA66) Lead Section:0.5~1.5mm ² (A.W. G.22~16) Max Current:I _{max} =19A Material:Copper Insulation: Nylon(PA66)	
LSNY1.25-4S	#8	4.3	7.2										
LSNY1.25-4L	#8	4.3	8.1										
LSNY1.25-5S	#10	5.3											
LSNY1.25-5L	#10	5.3	9.5										
LSNY2-3.5S	#6	3.7	6.0	6.5	21.9	11.0	6.6	4.9	0.8	1000	● 蓝 Blue	导线截面:1.5~2.5mm ² (美国线规16~14) 最大电流: I _{max} =27A 材质:紫铜 绝缘套管: 尼龙(PA66) Lead Section:1.5~2.5mm ² (A.W. G.16~14) Max Current:I _{max} =27A Material:Copper Insulation: Nylon(PA66)	
LSNY2-4S	#8	4.3	7.2										
LSNY2-4L	#8	4.3	8.1										
LSNY2-5S	#10	5.3											
LSNY2-5L	#10	5.3	9.3										
LSNY5.5-3.5	#6	3.7	8.3	7.0	25.9	14.2	8.4	7.0	1.0	500	● 黄 Yellow	导线截面:4~6mm ² (美国线规12~10) 最大电流: I _{max} =48A 材质:紫铜 绝缘套管: 尼龙(PA66) Lead Section:4~6mm ² (A.W. G.12~10) Max Current:I _{max} =48A Material:Copper Insulation: Nylon(PA66)	
LSNY5.5-4	#8	4.3											
LSNY5.5-5	#10	5.3											9.0
LSNY5.5-6	1/4	6.5											12.0

凹形 (尼龙) 绝缘端子 Nylon-Insulated Convex Blade Terminal


 尼龙绝缘端子系列
Nylon-Insulated Terminal Series

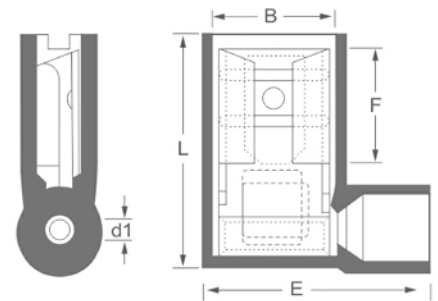
型号 ITEM NO.	尺寸 DIMENSION mm								包装 PCS/ PACK	颜色 COLOR	说明 EXPLANATION	
	B	F	L	E	D	d1	T	A				
LBNY1.25-3	3.0	17.0	28.0	10.7	5.6	4.3	0.7	2.1	1000	● 红 Red	导线截面:0.5~1.5mm ² (美国线规22~16) 最大电流: I _{max} =19A 材质:紫铜 绝缘套管:尼龙(PA66)	Lead Section:0.5~1.5mm ² (A.W. G.22~16) Max Current:I _{max} =19A Material:Copper Insulation: Nylon(PA66)
LBNY1.25-4.6	4.6											
LBNY2-3	3.0	17.0	28.0	11.0	6.6	4.9	0.8	2.1	1000	● 蓝 Blue	导线截面:1.5~2.5mm ² (美国线规16~14) 最大电流: I _{max} =27A 材质:紫铜 绝缘套管:尼龙(PA66)	Lead Section:1.5~2.5mm ² (A.W. G.16~14) Max Current:I _{max} =27A Material:Copper Insulation: Nylon(PA66)
LBNY2-4.6	4.6											
LBNY5.5-3	3.0	17.5	31.0	14.2	8.4	7.0	1.0	2.75	500	● 黄 Yellow	导线截面:4~6mm ² (美国线规12~10) 最大电流: I _{max} =48A 材质:紫铜 绝缘套管:尼龙(PA66)	Lead Section:4~6mm ² (A.W. G.12~10) Max Current:I _{max} =48A Material:Copper Insulation: Nylon(PA66)
LBNY5.5-4.6	4.6											

肩背形公母 (尼龙) 绝缘接头 Nylon-Insulated Piggy Male & Female Connector



型号 ITEM NO.	接插规格 Nema Tab	尺寸 DIMENSION mm									包装 PCS/ PACK	颜色 COLOR	说明 EXPLANATION	
		B	B1	L	C	C1	E	d1	D	T				
PBNY1.25-250	0.8×6.35	6.6	6.3	23.0	8.1	8.3	10.8	1.7	3.8	0.4	500	● 红 Red	导线截面:0.5~1.5mm ² 材质:黄铜 绝缘套管:尼龙(PA66)	Lead Section:0.5~1.5mm ² Material:Brass Insulation: Nylon(PA66)
PBNY2-250	0.8×6.35	6.6	6.3	23.0	8.1	8.3	10.8	2.3	4.3	0.4	500	● 蓝 Blue	导线截面:1.5~2.5mm ² 材质:黄铜 绝缘套管:尼龙(PA66)	Lead Section:1.5~2.5mm ² Material:Brass Insulation: Nylon(PA66)
PBNY5.5-250	0.8×6.35	6.6	6.3	25.0	8.1	8.3	13.3	3.4	5.7	0.4	500	● 黄 Yellow	导线截面:4~6mm ² 材质:黄铜 绝缘套管:尼龙(PA66)	Lead Section:4~6mm ² Material:Brass Insulation: Nylon(PA66)

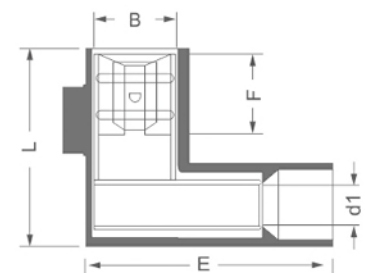
旗形 (尼龙) 母绝缘接头 Nylon-Insulated Flag Terminal



尼龙绝缘端子系列
Nylon-Insulated
Terminal Series

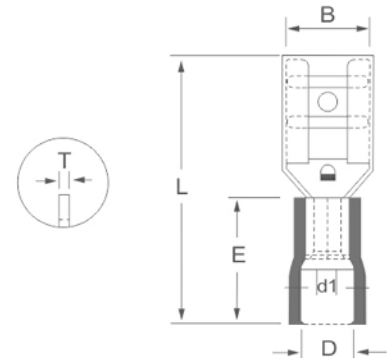
型号 ITEM NO .	接插规格 Nema Tab	尺寸 DIMENSION mm						包装 PCS/ PACK	颜色 COLOR	说明 EXPLANATION
		B	L	E	F	d1	T			
FLDNY1.25-187(5)	0.5×4.75	6.8	15.5	13.7	10.0	1.7	0.35	500	● 红Red	材质:黄铜 绝缘套管: 尼龙(PA66) 耐温: 105°C 电压: 400V Material:Brass Insulation: Nylon(PA66) Temperature :105°C Voltage: 400V
FLDNY1.25-187(8)	0.8×4.75									
FLDNY1.25-250	0.8×6.35	8.0	16.6	14.7	11.0	0.4				
FLDNY2-187(5)	0.5×4.75	6.7	15.3	13.1	10.0	2.5	0.35			
FLDNY2-187(8)	0.8×4.75									
FLDNY2-250	0.8×6.35	8.0	16.6	15.3	11.0	0.4				
FLDNY5.5-250	0.8×6.35	8.5	16.5	17.5	9.5		3.6			

旗形 (尼龙) 母绝缘接头 Nylon-Insulated Flag Terminal



型号 ITEM NO .	接插规格 Nema Tab	尺寸 DIMENSION mm						包装 PCS/ PACK	颜色 COLOR	说明 EXPLANATION
		B	L	E	F	d1	T			
FLDNY2-250L	0.8×6.35	8.0	17.0	21.0	11.3	2.5	0.4	500	● 蓝Blue	材质:黄铜 绝缘套管: 尼龙(PA66) 耐温: 105°C 电压: 400V Material:Brass Insulation: Nylon(PA66) Temperature :105°C Voltage: 400V
FLDNY5.5-250L	0.8×6.35	8.5	17.8	23.0	10.4	3.6	0.4	500	● 黄Yellow	

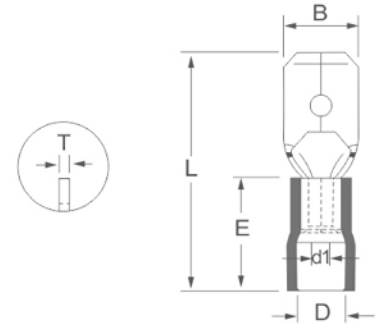
母 (尼龙) 绝缘接头 Nylon-Insulated Female Connector



尼龙绝缘端子系列
Nylon-Insulated
Terminal Series

型号 ITEM NO.	接插规格 Nema Tab	尺寸 DIMENSION mm						包装 PCS/ PACK	颜色 COLOR	说明 EXPLANATION
		B	L	E	D	d1	T			
FNY1.25-110(5)	0.5×2.8	3.3	19.5	11.0	3.8	1.7	0.3	1000	● 红Red	导线截面:0.5~1.5mm ² (美国线规22~16) 最大电流: I _{max} =19A 材质:黄铜 绝缘套管: 尼龙(PA66)
FNY1.25-110(8)	0.8×2.8									
FNY1.25-187(5)	0.5×4.75									
FNY1.25-187(8)	0.8×4.75	5.0	20.0				0.35			
FNY1.25-205	0.5×5.2									
FNY1.25-250	0.8×6.35	6.6	20.8							
FNY1.25-312	0.8×8.0	8.2	24.0							
FNY2-110(5)	0.5×2.8	3.3	19.5	11.0	4.3	2.3	0.3	1000	● 蓝Blue	导线截面:1.5~2.5mm ² (美国线规16~14) 最大电流: I _{max} =27A 材质:黄铜 绝缘套管: 尼龙(PA66)
FNY2-110(8)	0.8×2.8									
FNY2-187(5)	0.5×4.75									
FNY2-187(8)	0.8×4.75	5.0	20.0				0.35			
FNY2-205	0.5×5.2									
FNY2-250	0.8×6.35	6.6	20.8							
FNY2-312	0.8×8.0	8.2	24.7							
FNY2-375	1.2×9.4	9.9	28.6	0.5	500					
FNY5.5-110(5)	0.5×2.8	3.3	22.0	13.0	5.7	3.4	0.35	1000	● 黄Yellow	导线截面:4~6mm ² (美国线规12~10) 最大电流: I _{max} =48A 材质:黄铜 绝缘套管: 尼龙(PA66)
FNY5.5-110(8)	0.8×2.8									
FNY5.5-187(5)	0.5×4.75									
FNY5.5-187(8)	0.8×4.75	5.0	23.0				0.4			
FNY5.5-250	0.8×6.35									
FNY5.5-312	0.8×8.0	8.2	28.3							
FNY5.5-375	1.2×9.4	9.9	30.6							

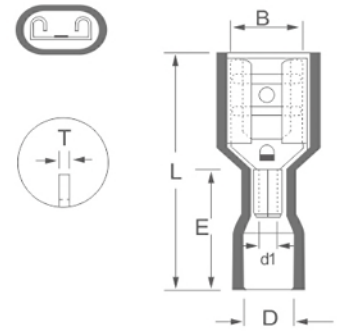
公 (尼龙) 绝缘接头
Nylon-Insulated
Male Connector



尼龙绝缘端子系列
Nylon-Insulated
Terminal Series

型号 ITEM NO.	接插规格 Nema Tab	尺寸 DIMENSION mm						包装 PCS/ PACK	颜色 COLOR	说明 EXPLANATION
		B	L	E	D	d1	T			
MNY1.25-110(5)	0.5×2.8	2.8	18.7	11.0	3.8	1.7	0.5	1000	● 红Red	导线截面:0.5~1.5mm ² (美国线规22~16) 最大电流: I _{max} =19A 材质:黄铜 绝缘套管: 尼龙(PA66)
MNY1.25-110(8)	0.8×2.8						0.8			
MNY1.25-187(5)	0.5×4.75	4.75	21.0	11.0	4.3	2.3	0.5			
MNY1.25-187(8)	0.8×4.75						0.4×2			
MNY1.25-187(8L)	0.8×4.75	4.75	21.0	11.0	4.3	2.3	0.8			
MNY1.25-250	0.8×6.35	6.35	22.0	11.0	3.8	1.7	0.4×2			
MNY2-110(5)	0.5×2.8	2.8	18.7	11.0	4.3	2.3	0.5	1000	● 蓝Blue	导线截面:1.5~2.5mm ² (美国线规16~14) 最大电流: I _{max} =27A 材质:黄铜 绝缘套管: 尼龙(PA66)
MNY2-110(8)	0.8×2.8						0.8			
MNY2-187(5)	0.5×4.75	4.75	21.0	11.0	4.3	2.3	0.5			
MNY2-187(8)	0.8×4.75						0.4×2			
MNY2-187(8L)	0.8×4.75	4.75	21.0	11.0	4.3	2.3	0.8			
MNY2-250	0.8×6.35	6.35	22.0	11.0	3.8	1.7	0.4×2			
MNY5.5-110(5)	0.5×2.8	2.8	21.0	13.0	5.7	3.4	0.5	1000	● 黄Yellow	导线截面:4~6mm ² (美国线规12~10) 最大电流: I _{max} =48A 材质:黄铜 绝缘套管: 尼龙(PA66)
MNY5.5-110(8)	0.8×2.8						0.8			
MNY5.5-187(5)	0.5×4.75	4.75	23.0	13.0	5.7	3.4	0.5			
MNY5.5-187(8)	0.8×4.75						0.4×2			
MNY5.5-250	0.8×6.35	6.35	24.0	13.0	5.7	3.4	0.4×2	500		绝缘套管: 尼龙(PA66)

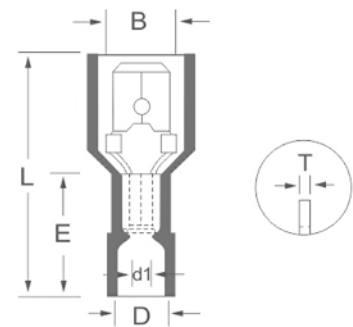
母 (尼龙) 全绝缘接头 Fully-Nylon-Insulated Female Connector



尼龙绝缘端子系列
Nylon-Insulated
Terminal Series

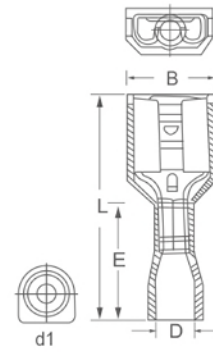
型号 ITEM NO .	接插规格 Nema Tab	尺寸 DIMENSION mm						包装 PCS/ PACK	颜色 COLOR	说明 EXPLANATION
		B	L	E	D	d1	T			
FDFN1.25-110(5)	0.5×2.8	4.3	18.8	11.0	4.0	1.7	0.3	1000	● 红Red	材质:黄铜 绝缘套管:尼龙(PA66) 耐温: 105°C 电压: 400V Material:Brass Insulation: Nylon(PA66) Temperature :105°C Voltage: 400V
FDFN1.25-110(8)	0.8×2.8									
FDFN1.25-187(5)	0.5×4.75									
FDFN1.25-187(8)	0.8×4.75									
FDFN1.25-250	0.8×6.35	8.4	22.6	11.0	4.5	2.3	0.4	1000	● 蓝Blue	
FDFN2-187(5)	0.5×4.75	6.2	20.7							
FDFN2-187(8)	0.8×4.75									
FDFN2-250	0.8×6.35	8.4	22.6	13.0	6.3	3.4	0.4	500	● 黄Yellow	
FDFN5.5-250	0.8×6.35	8.6	24.0							

公 (尼龙) 全绝缘接头 Fully-Nylon-Insulated Male Connector



型号 ITEM NO .	接插规格 Nema Tab	尺寸 DIMENSION mm						包装 PCS/ PACK	颜色 COLOR	说明 EXPLANATION
		B	L	E	D	d1	T			
MDFN1.25-250	0.8×6.35	6.35	24.0	11.0	4.0	1.7	0.4	500	● 红Red	材质:黄铜 绝缘套管:尼龙(PA66) 耐温: 105°C 电压: 400V Material:Brass Insulation: Nylon(PA66) Temperature :105°C Voltage: 400V
MDFN2-250	0.8×6.35	6.35	24.0	11.0	4.5	2.3	0.4	500	● 蓝Blue	
MDFN5.5-250	0.8×6.35	6.35	25.0	13.0	6.3	3.4	0.4	500	● 黄Yellow	

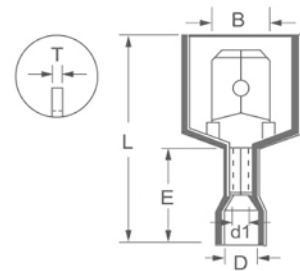
母 (尼龙) 全绝缘接头 Fully-Nylon-Insulated Female Connector



型号 ITEM NO .	接插规格 Nema Tab	尺寸 DIMENSION mm						包装 PCS/ PACK	颜色 COLOR	说明 EXPLANATION				
		B	L	E	D	d1	T							
FDfNA1.25-110(5)	0.5×2.8	3.8	18.8	11.0	5.9	1.7	0.5	1000	● 红Red	材质:黄铜 绝缘套管: 尼龙(PA66) 耐温: 105°C 电压: 400V Material:Brass Insulation: Nylon(PA66) Temperature :105°C Voltage: 400V				
FDfNA1.25-110(8)	0.8×2.8						0.8							
FDfNA1.25-187(5)	0.5×4.75	5.8	20.5				0.5							
FDfNA1.25-187(8)	0.8×4.75						0.8							
FDfNA1.25-250	0.8×6.35	7.5	22.6	0.4										
FDfNA2-187(5)	0.5×4.75	5.8	20.7	11.0	6.6	2.3	0.5				1000	● 蓝Blue		
FDfNA2-187(8)	0.8×4.75						0.8							
FDfNA2-250	0.8×6.35						7.5						22.6	0.4
FDfNA5.5-250	0.8×6.35	7.5	24.0	13.0	8.0	3.4	0.4						500	● 黄Yellow

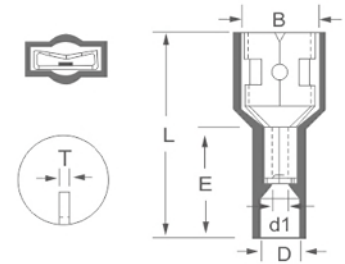
尼龙绝缘端子系列
Nylon-Insulated
Terminal Series

公 (尼龙) 全绝缘接头 Fully-Nylon-Insulated Male Connector



型号 ITEM NO .	接插规格 Nema Tab	尺寸 DIMENSION mm						包装 PCS/ PACK	颜色 COLOR	说明 EXPLANATION		
		B	L	E	D	d1	T					
MDFNA1.25-187(5)	0.5×4.75	5.8	20.5	11.0	3.5	1.7	0.5	500	● 红Red	材质:黄铜 绝缘套管: 尼龙(PA66) 耐温: 105°C 电压: 400V Material:Brass Insulation: Nylon(PA66) Temperature :105°C Voltage: 400V		
MDFNA1.25-187(8)	0.8×4.75						0.8					
MDFNA1.25-250	0.8×6.35						8.4				22.6	13.0
MDFNA2-187(5)	0.5×4.75	6.2	20.7	11.0	4.0	2.3	0.5				500	● 蓝Blue
MDFNA2-187(8)	0.8×4.75						0.8					
MDFNA2-250	0.8×6.35						8.4					
MDFNA5-250	0.8×6.35	8.4	24.0	13.0	8.0	3.4	0.4	500	● 黄Yellow			

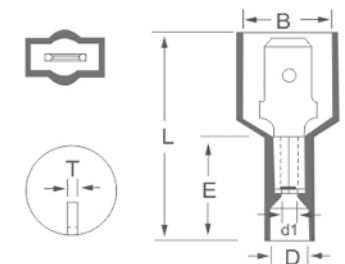
母 (尼龙) 全绝缘接头 Fully-Nylon-Insulated Female Connector



尼龙绝缘端子系列
Nylon-Insulated
Terminal Series

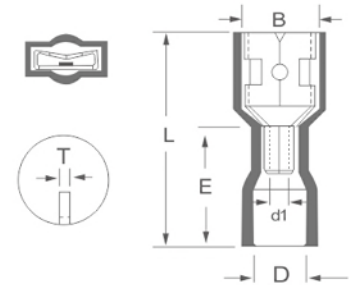
型号 ITEM NO.	接插规格 Nema Tab	尺寸 DIMENSION mm						包装 PCS/ PACK	颜色 COLOR	说明 EXPLANATION
		B	L	E	D	d1	T			
FDFNY1.25-250	0.8×6.35	10.0	22.3	11.3	4.4	1.7	0.4	1000	紫Purple	材质:黄铜 绝缘套管: 尼龙(PA66) 耐温: 105°C 电压: 400V Material:Brass Insulation: Nylon(PA66) Temperature :105°C Voltage: 400V
FDFNY2-250	0.8×6.35	10.0	22.3	11.3	4.4	2.3	0.4	1000	绿Green	
FDFNY5.5-250	0.8×6.35	10.0	22.3	11.3	6.3	3.4	0.4	500	黄Yellow	

公 (尼龙) 全绝缘接头 Fully-Nylon-Insulated Male Connector



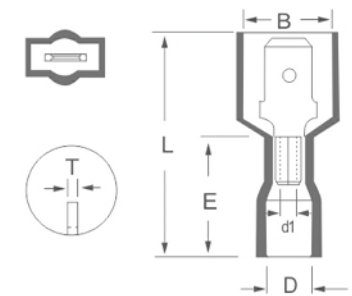
型号 ITEM NO.	接插规格 Nema Tab	尺寸 DIMENSION mm						包装 PCS/ PACK	颜色 COLOR	说明 EXPLANATION
		B	L	E	D	d1	T			
MDFNY1.25-250	0.8×6.35	11.0	24.0	10.0	4.4	1.7	0.8	500	紫Purple	材质:黄铜 绝缘套管: 尼龙(PA66) 耐温: 105°C 电压: 400V Material:Brass Insulation: Nylon(PA66) Temperature :105°C Voltage: 400V
MDFNY2-250	0.8×6.35	11.0	24.0	10.0	4.4	2.3	0.8	500	绿Green	
MDFNY5.5-250	0.8×6.35	11.0	24.0	10.0	6.3	3.4	0.8	500	黄Yellow	

母 (尼龙) 全绝缘接头 Fully-Nylon-Insulated Female Connector



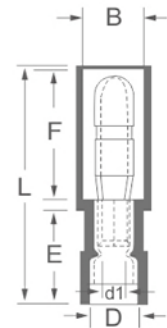
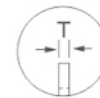
型号 ITEM NO .	接插规格 Nema Tab	尺寸 DIMENSION mm						包装 PCS/ PACK	颜色 COLOR	说明 EXPLANATION
		B	L	E	D	d1	T			
FDFNYA1.25-250	0.8×6.35	8.8	21.3	10.3	4.2	1.7	0.4	1000	● 红Red	材质:黄铜 绝缘套管: 尼龙(PA66) 耐温: 105°C 电压: 400V Material:Brass Insulation: Nylon(PA66) Temperature :105°C Voltage: 400V
FDFNYA2-250	0.8×6.35	8.8	21.3	10.3	4.2	2.3	0.4	1000	● 蓝Blue	
FDFNYA5.5-250	0.8×6.35	8.8	22.3	10.3	6.1	3.4	0.4	500	● 黄Yellow	

公 (尼龙) 全绝缘接头 Fully-Nylon-Insulated Male Connector



型号 ITEM NO .	接插规格 Nema Tab	尺寸 DIMENSION mm						包装 PCS/ PACK	颜色 COLOR	说明 EXPLANATION
		B	L	E	D	d1	T			
MDFNYA1.25-250	0.8×6.35	10.3	23.0	10.0	4.2	1.7	0.8	500	● 红Red	材质:黄铜 绝缘套管: 尼龙(PA66) 耐温: 105°C 电压: 400V Material:Brass Insulation: Nylon(PA66) Temperature :105°C Voltage: 400V
MDFNYA2-250	0.8×6.35	10.3	23.0	10.0	4.2	2.3	0.8	500	● 蓝Blue	
MDFNYA5.5-250	0.8×6.35	11.0	24.0	10.0	6.1	3.4	0.8	500	● 黄Yellow	

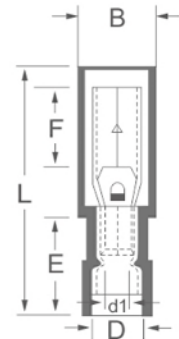
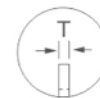
子弹形公 (尼龙) 全绝缘接头 Fully-Nylon-Insulated Male Bullet Connector



尼龙绝缘端子系列
Nylon-Insulated
Terminal Series

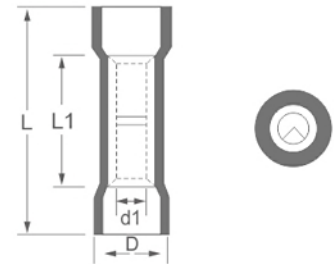
型号 ITEM NO .	尺寸 DIMENSION mm							包装 PCS/ PACK	颜色 COLOR	说明 EXPLANATION
	B	F	L	E	D	d1	T			
MRFNY1.25-156	7.6	14.7	25.5	11.0	4.0	1.7	0.4	500	● 红Red	材质:黄铜 绝缘套管: 尼龙(PA66) 耐温: 105°C 电压: 400V Material:Brass Insulation: Nylon(PA66) Temperature :105°C Voltage: 400V
MRFNY2-156	7.6	14.7	25.5	11.0	4.5	2.3	0.4	500	● 蓝Blue	
MRFNY5.5-195	8.5	14.7	27.5	13.0	6.3	3.4	0.4	500	● 黄Yellow	

子弹形母 (尼龙) 全绝缘接头 Fully-Nylon-Insulated Female Bullet Connector



型号 ITEM NO .	尺寸 DIMENSION mm							包装 PCS/ PACK	颜色 COLOR	说明 EXPLANATION
	B	F	L	E	D	d1	T			
FRFNY1.25-156	6.3	13.3	24.3	11.0	4.0	1.7	0.4	500	● 红Red	材质:黄铜 绝缘套管: 尼龙(PA66) 耐温: 105°C 电压: 400V Material:Brass Insulation: Nylon(PA66) Temperature :105°C Voltage: 400V
FRFNY2-156	6.3	13.3	24.3	11.0	4.5	2.3	0.4	500	● 蓝Blue	
FRFNY5.5-195	6.8	13.3	27.0	13.0	6.3	3.4	0.4	500	● 黄Yellow	

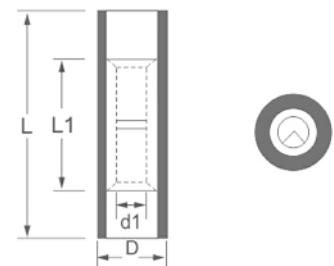
长形 (尼龙) 全绝缘中间接头
Nylon-Insulated
Long Butt Connector



型号 ITEM NO.	导线面积 WIRE SECTION		尺寸 DIMENSION mm				最大电流 MAX CURRENT	包装 PCS/ PACK	颜色 COLOR	说明 EXPLANATION
	A. W. G	mm ²	L1	d1	D	L				
BNYF0.5	26-22	0.2-0.5	10.5	1.3	2.8	20.5	10A	1000	● 黄Yellow	材质:紫铜 绝缘套管: 尼龙(PA66) 耐温: 105°C 电压: 400V Material:Copper Insulation: Nylon(PA66) Temperature :105°C Voltage: 400V
BNYF1.25	22-16	0.5-1.5	15.0	1.7	3.8	24.7	19A	1000	● 红Red	
BNYF2	16-14	1.5-2.5	15.0	2.3	4.7	24.7	27A	1000	● 蓝Blue	
BNYF5.5	12-10	4.0-6.0	15.0	3.4	6.5	27.3	48A	500	● 黄Yellow	

尼龙绝缘端子系列
Nylon-Insulated
Terminal Series

长形 (尼龙) 全绝缘中间接头
Nylon-Insulated
Long Butt Connector



型号 ITEM NO.	导线面积 WIRE SECTION		尺寸 DIMENSION mm				最大电流 MAX CURRENT	包装 PCS/ PACK	颜色 COLOR	说明 EXPLANATION
	A. W. G	mm ²	L1	d1	D	L				
BNY1.25	22-16	0.5-1.5	15.0	1.7	3.3	27.5	19A	1000	● 粉红Pink	材质:紫铜 绝缘套管: 尼龙(PA66) 耐温: 105°C 电压: 400V Material:Copper Insulation: Nylon(PA66) Temperature :105°C Voltage: 400V
BNY2	16-14	1.5-2.5	15.0	2.3	3.9	27.5	27A	1000	● 蓝Blue	
BNY5.5	12-10	4.0-6.0	15.0	3.4	5.4	27.5	48A	500	● 黄Yellow	



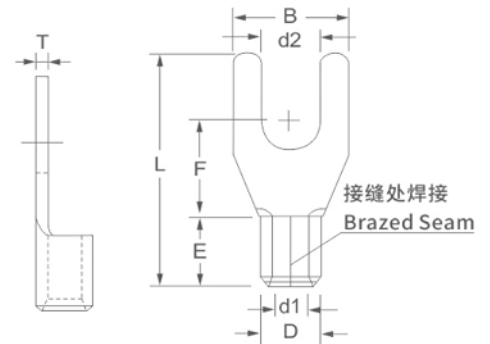
裸端子系列

Non-Insulated Terminal Series



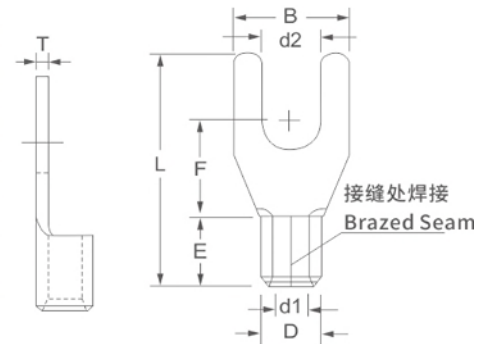
Non-Insulated
Terminal Series
裸端子系列

叉形裸端子 Non-Insulated Fork Terminal



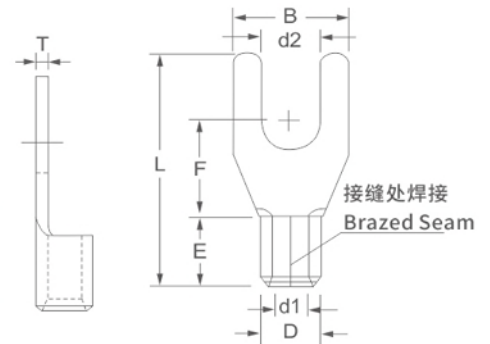
型号 ITEM NO.	STUD SIZE 美制螺栓号 螺栓口直径		尺寸 DIMENSION mm							包装 PCS/ PACK	说明 EXPLANATION
	American	Metric d2	B	F	L	E	D	d1	T		
SNB0.5-3	#4	3.2	5.7	5.1	14.2	4.3	2.3	1.3	0.5	1000	导线截面:0.2~0.5mm ² (美国线规26~22) 最大电流: I _{max} =10A 材质:紫铜 Lead Section: 0.5~1.5mm ² (A.W. G.26-22) Max Current:I _{max} =10A Material:Copper
SNB0.5-3.5S	#6	3.7									
SNB0.5-3.5L	#6	3.7									
SNB0.5-4	#8	4.3	6.4	5.3	16.0	4.8	3.4	1.8	0.7	1000	
SNB1.25-3	#4	3.2									
SNB1.25-3.5S	#6	3.7									
SNB1.25-3.5L	#6	3.7	6.4	6.5	22.2	4.8	3.4	1.8	0.7	1000	
SNB1.25-4S	#8	4.3									
SNB1.25-4M	#8	4.3									
SNB1.25-4L	#8	4.3	8.1	6.5	23.5	5.0	4.0	2.3	0.8	1000	
SNB1.25-5S	#10	5.3									
SNB1.25-5L	#10	5.3									
SNB1.25-6S	1/4	6.5	9.5	6.5	22.0	5.0	4.0	2.3	0.8	1000	
SNB1.25-6L	1/4	6.5									
SNB1.25-8	5/16	8.5									
SNB2-3	#4	3.2	5.7	6.5	15.5	5.0	4.0	2.3	0.8	1000	导线截面:1.5~2.5mm ² (美国线规16~14) 最大电流: I _{max} =27A 材质:紫铜 Lead Section: 1.5~2.5mm ² (A.W. G.16-14) Max Current:I _{max} =27A Material:Copper
SNB2-3.5S	#6	3.7									
SNB2-3.5L	#6	3.7									
SNB2-4S	#8	4.3	6.5	6.5	22.0	5.0	4.0	2.3	0.8	1000	
SNB2-4M	#8	4.3									
SNB2-4L	#8	4.3									
SNB2-5S	#10	5.3	8.2	6.5	23.6	5.0	4.0	2.3	0.8	1000	
SNB2-5L	#10	5.3									
SNB2-6S	1/4	6.5									
SNB2-6L	1/4	6.5	12.0	11.0	22.0	5.0	4.0	2.3	0.8	1000	
SNB2-8	5/16	8.5									

叉形裸端子 Non-Insulated Fork Terminal


 裸端子系列
Non-Insulated Terminal Series

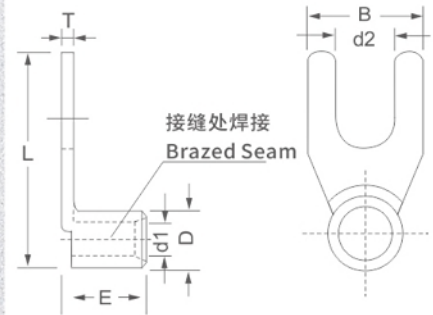
型号 ITEM NO.	STUD SIZE 美制螺栓号 螺栓口直径		尺寸 DIMENSION mm							包装 PCS/ PACK	说明 EXPLANATION					
	American	Metric d2	B	F	L	E	D	d1	T							
SNB3.5-3	#4	3.2	8.0	7.0	18.3	6.0	5.0	3.0	1.0	1000	导线截面:2.5~4mm ² (美国线规14~12) 最大电流: I _{max} =37A 材质:紫铜 Lead Section: 2.5~4mm ² (A.W. G.14-12) Max Current:I _{max} =37A Material:Copper					
SNB3.5-3.5	#6	3.7														
SNB3.5-4	#8	4.3														
SNB3.5-5S	#10	5.3														
SNB3.5-6S	1/4	6.5	9.0	7.5	19.0											
SNB3.5-6L	1/4	6.5	12.0	9.1	21.5											
SNB3.5-8	5/16	8.5	14.0	11.5	23.8											
SNB3.5-10	3/8	10.5	17.5	12.5	26.5											
SNB5.5-3	#4	3.2	8.3	7.5	19.0	6.2	5.5	3.4	1.0			1000	导线截面:4~6mm ² (美国线规12~10) 最大电流: I _{max} =48A 材质:紫铜 Lead Section: 4~6mm ² (A.W. G.12-10) Max Current:I _{max} =48A Material:Copper			
SNB5.5-3.5	#6	3.7														
SNB5.5-4S	#8	4.3														
SNB5.5-4L	#8	4.3	8.9		19.3									6.6	5.8	3.7
SNB5.5-5	#10	5.3	9.0		19.0									6.2	5.5	3.4
SNB5.5-6S	1/4	6.5														
SNB5.5-6L	1/4	6.5	12.0		24.0											
SNB5.5-8	5/16	8.5	14.0		24.4											
SNB5.5-10	3/8	10.5	17.5	12.5	26.5											

叉形裸端子 Non-Insulated Fork Terminal



型号 ITEM NO.	STUD SIZE 美制螺栓号 螺栓口直径		尺寸 DIMENSION mm							包装 PCS/ PACK	说明 EXPLANATION	
	American	Metric d2	B	F	L	E	D	d1	T			
SNB8-4S	#8	4.3	8.0	7.2	23.0	8.6	7.2	4.5	1.2	500	导线截面:8~10mm ² (美国线规8) 最大电流: I _{max} =62A 材质:紫铜 Lead Section: 8~10mm ² (A.W. G.8) Max Current:I _{max} =62A Material:Copper	
SNB8-4M	#8	4.3	9.0	7.5	23.8							
SNB8-4L	#8	4.3	10.5	9.0	23.0							
SNB8-5S	#10	5.3	9.0	7.5	21.2							
SNB8-5M	#10	5.3			23.8							
SNB8-5L	#10	5.3	10.8	7.2	23.0							
SNB8-6	1/4	6.5			11.0							28.0
SNB8-8	5/16	8.5										
SNB8-10	3/8	10.5	16.0									
SNB14-4	#8	4.3	9.0	12.0	27.3	10.8	9.0	5.8	1.5	200	导线截面:10~16mm ² (美国线规6) 最大电流: I _{max} =88A 材质:紫铜 Lead Section: 10~16mm ² (A.W. G.6) Max Current:I _{max} =88A Material:Copper	
SNB14-5	#10	5.3	11.0	10.2	28.2							
SNB14-6	1/4	6.5			10.7							28.5
SNB14-8	5/16	8.5	13.8									
SNB14-10	3/8	10.5	15.9									
SNB22-5	#10	5.3	12.8	13.5	33.0	12.0	11.5	7.7	1.8	200	导线截面:16~25mm ² (美国线规4) 最大电流: I _{max} =115A 材质:紫铜 Lead Section: 16~25mm ² (A.W. G.4) Max Current:I _{max} =115A Material:Copper	
SNB22-6	1/4	6.5										
SNB22-8S	5/16	8.5										
SNB22-8	5/16	8.5	16.5	13.7	33.5							
SNB22-10	3/8	10.5										

叉形裸端子 (90D) Non-Insulated Fork Terminal 90-Degree

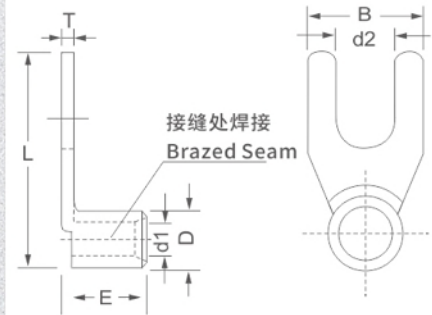


角度可定制
Customized design

Non-Insulated Terminal Series 裸端子系列

型号 ITEM NO.	STUD SIZE 美制螺栓号 螺栓口直径		尺寸 DIMENSION mm							包装 PCS/ PACK	说明 EXPLANATION
	American	Metric d2	B	L	E	D	d1	T			
SNB0.5-3-90D	#4	3.2	5.7	12.0	5.5	2.3	1.3	0.5	1000	导线截面:0.2~0.5mm ² (美国线规26~22) 最大电流: I _{max} =10A 材质:紫铜 Lead Section: 0.5~1.5mm ² (A.W. G.26-22) Max Current:I _{max} =10A Material:Copper	
SNB0.5-3.5S-90D	#6	3.7									
SNB0.5-3.5L-90D	#6	3.7									
SNB0.5-4-90D	#8	4.3									
SNB1.25-3-90D	#4	3.2	5.7	14.0	6.0	3.4	1.8	0.7	1000	导线截面:0.5~1.5mm ² (美国线规22~16) 最大电流: I _{max} =19A 材质:紫铜 Lead Section: 0.5~1.5mm ² (A.W. G.22-16) Max Current:I _{max} =19A Material:Copper	
SNB1.25-3.5S-90D	#6	3.7									
SNB1.25-3.5L-90D	#6	3.7									
SNB1.25-4S-90D	#8	4.3									
SNB1.25-4M-90D	#8	4.3									
SNB1.25-4L-90D	#8	4.3									
SNB1.25-5S-90D	#10	5.3									
SNB1.25-5L-90D	#10	5.3									
SNB1.25-6S-90D	1/4	6.5									
SNB1.25-6L-90D	1/4	6.5									
SNB1.25-8-90D	5/16	8.5									
SNB2-3-90D	#4	3.2	5.7								13.5
SNB2-3.5S-90D	#6	3.7									
SNB2-3.5L-90D	#6	3.7									
SNB2-4S-90D	#8	4.3									
SNB2-4M-90D	#8	4.3									
SNB2-4L-90D	#8	4.3									
SNB2-5S-90D	#10	5.3									
SNB2-5L-90D	#10	5.3									
SNB2-6S-90D	1/4	6.5									
SNB2-6L-90D	1/4	6.5									
SNB2-8-90D	5/16	8.5									

叉形裸端子 (90D)
Non-Insulated Fork Terminal
90-Degree

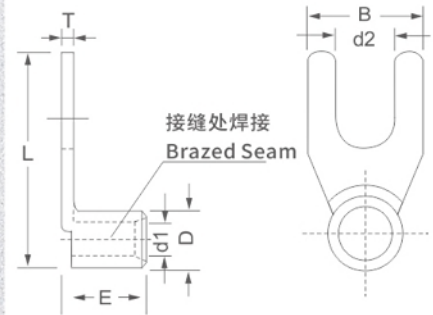


角度可定制
Customized design

型号 ITEM NO.	STUD SIZE 美制螺栓号 螺栓口直径		尺寸 DIMENSION mm						包装 PCS/ PACK	说明 EXPLANATION		
	American	Metric d2	B	L	E	D	d1	T				
SNB3.5-3-90D	#4	3.2	8.0	16.3	7.0	5.0	3.0	1.0	1000	导线截面:2.5~4mm ² (美国线规14~12) 最大电流: I _{max} =37A 材质:紫铜 Lead Section: 2.5~4mm ² (A.W. G.14-12) Max Current:I _{max} =37A Material:Copper		
SNB3.5-3.5-90D	#6	3.7										
SNB3.5-4-90D	#8	4.3										
SNB3.5-5S-90D	#10	5.3										
SNB3.5-6S-90D	1/4	6.5	9.0	17.0	7.4	5.5	3.4	1.0				
SNB3.5-6L-90D	1/4	6.5	12.0	19.5								
SNB3.5-8-90D	5/16	8.5	14.0	21.8								
SNB3.5-10-90D	3/8	10.5	17.5	24.5								
SNB5.5-3-90D	#4	3.2	8.3	17.0	7.4	5.5	3.4	1.0			1000	导线截面:4~6mm ² (美国线规12~10) 最大电流: I _{max} =48A 材质:紫铜 Lead Section: 4~6mm ² (A.W. G.12-10) Max Current:I _{max} =48A Material:Copper
SNB5.5-3.5-90D	#6	3.7										
SNB5.5-4S-90D	#8	4.3										
SNB5.5-4L-90D	#8	4.3	8.9	17.3	7.4	5.5	3.4	1.0				
SNB5.5-5-90D	#10	5.3	9.0	17.0								
SNB5.5-6S-90D	1/4	6.5										
SNB5.5-6L-90D	1/4	6.5	12.0	22.0								
SNB5.5-8-90D	5/16	8.5	14.0	22.4	7.4	5.5	3.4	1.0				
SNB5.5-10-90D	3/8	10.5	17.5									

裸端子系列
Non-Insulated
Terminal Series

叉形裸端子 (90D) Non-Insulated Fork Terminal 90-Degree

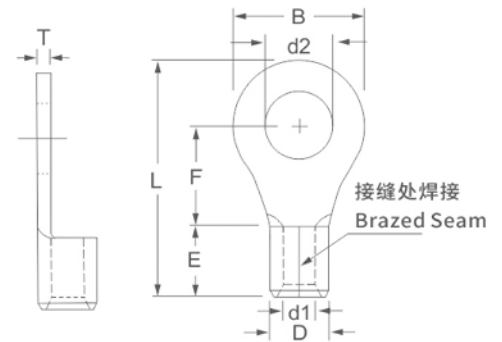


角度可定制
Customized design

Non-Insulated
Terminal Series
裸端子系列

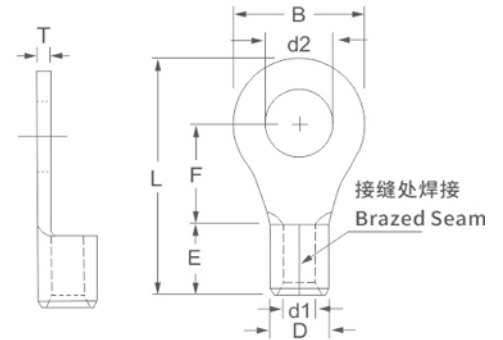
型号 ITEM NO.	STUD SIZE 美制螺栓号 螺栓口直径		尺寸 DIMENSION mm						包装 PCS/ PACK	说明 EXPLANATION
	American	Metric d2	B	L	E	D	d1	T		
SNB8-4S-90D	#8	4.3	8.0	20.5	10.0	7.2	4.5	1.2	500	导线截面:8~10mm ² (美国线规8) 最大电流: I _{max} =62A 材质:紫铜 Lead Section: 8~10mm ² (A.W. G.8) Max Current:I _{max} =62A Material:Copper
SNB8-4M-90D	#8	4.3	9.0	21.2						
SNB8-4L-90D	#8	4.3	10.5	20.5						
SNB8-5S-90D	#10	5.3	9.0	18.7						
SNB8-5M-90D	#10	5.3		21.2						
SNB8-5L-90D	#10	5.3	10.8	20.5						
SNB8-6-90D	1/4	6.5		25.4						
SNB8-8-90D	5/16	8.5								
SNB8-10-90D	3/8	10.5	16.0	25.4						
SNB14-4-90D	#8	4.3	9.0	24.2						
SNB14-5-90D	#10	5.3	11.0	25.0						
SNB14-6-90D	1/4	6.5		25.3						
SNB14-8-90D	5/16	8.5	13.8							
SNB14-10-90D	3/8	10.5	15.9							
SNB22-5-90D	#10	5.3	12.8	30.7	14.0	11.5	7.7	1.8	200	导线截面:16~25mm ² (美国线规4) 最大电流: I _{max} =115A 材质:紫铜 Lead Section: 16~25mm ² (A.W. G.4) Max Current:I _{max} =115A Material:Copper
SNB22-6-90D	1/4	6.5								
SNB22-8S-90D	5/16	8.5								
SNB22-8-90D	5/16	8.5	16.5	31.2						
SNB22-10-90D	3/8	10.5								

圆形裸端子 Non-Insulated Ring Terminal



型号 ITEM NO.	STUD SIZE 美制螺栓号 螺栓口直径		尺寸 DIMENSION mm							包装 PCS/ PACK	说明 EXPLANATION
	American	Metric d2	B	F	L	E	D	d1	T		
RNB0.5-3	#4	3.2	5.7	5.0	12.6	4.3	2.3	1.3	0.5	1000	导线截面:0.2~0.5mm ² (美国线规26~22) 最大电流: I _{max} =10A 材质:紫铜 Lead Section: 0.5~1.5mm ² (A.W. G.26-22) Max Current:I _{max} =10A Material:Copper
RNB0.5-3.5S	#6	3.7									
RNB0.5-3.5M	#6	3.7									
RNB0.5-4	#8	4.3									
RNB0.5-6	1/4	6.5	12.0	11.0	22.0						
RNB1.25-3	#4	3.2	5.7	5.0	12.8	4.8	3.4	1.8	0.7	1000	
RNB1.25-3.5S	#6	3.7									
RNB1.25-3.5M	#6	3.7	6.6	6.3	14.5						
RNB1.25-3.5L	#6	3.7	8.0	7.0	16.0						
RNB1.25-4S	#8	4.3	6.6	6.3	14.5						
RNB1.25-4L	#8	4.3	8.0	7.0	16.0						
RNB1.25-5S	#10	5.3									
RNB1.25-5L	#10	5.3	9.5	7.5	17.2						
RNB1.25-5LL	#10	5.3	11.6	11.3	21.8						
RNB1.25-6S	1/4	6.5	9.5	7.5	17.2						
RNB1.25-6L	1/4	6.5	11.6	11.3	21.8						
RNB1.25-8	5/16	8.5									
RNB1.25-8L	5/16	8.5	13.7	13.9	25.6						
RNB1.25-10	3/8	10.5									
RNB1.25-10L	3/8	10.5	18.0	15.0	29.0						
RNB1.25-12	1/2	13.0									
RNB1.25-14	9/16	15.0	27.0	21.0	39.3	500					
RNB1.25-16	5/8	17.0									
RNB1.25-18	11/16	19.0									
RNB1.25-20	3/4	21.0									

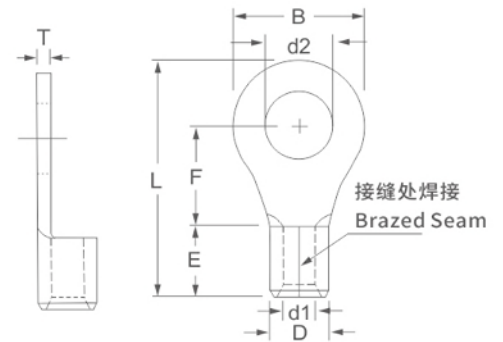
圆形裸端子 Non-Insulated Ring Terminal



Non-Insulated Terminal Series 裸端子系列

型号 ITEM NO.	STUD SIZE 美制螺栓号 螺栓口直径		尺寸 DIMENSION mm							包装 PCS/ PACK	说明 EXPLANATION
	American	Metric d2	B	F	L	E	D	d1	T		
RNB2-3	#4	3.2	6.6	4.3	12.5	5.0	4.0	2.3	0.8	1000	导线截面:1.5~2.5mm ² (美国线规16~14) 最大电流: I _{max} =27A 材质:紫铜 Lead Section: 1.5~2.5mm ² (A.W. G.16-14) Max Current:I _{max} =27A Material:Copper
RNB2-3.5S	#6	3.7		6.3	14.5						
RNB2-3.5M	#6	3.7	8.5	7.4	16.5						
RNB2-3.5L	#6	3.7	6.6	6.3	14.5						
RNB2-4S	#8	4.3	8.5	7.4	16.5						
RNB2-4L	#8	4.3									
RNB2-5S	#10	5.3	9.5	17.0							
RNB2-5L	#10	5.3									
RNB2-6S	1/4	6.5	12.0	11.0	21.5						
RNB2-6L	1/4	6.5									
RNB2-8	5/16	8.5	13.6	13.9	25.5						
RNB2-8L	5/16	8.5									
RNB2-10	3/8	10.5	18.2	15.0	29.3						
RNB2-10L	3/8	10.5									
RNB2-12	1/2	13.0	27.0	21.0	39.3						
RNB2-14	9/16	15.0									
RNB2-16	5/8	17.0									
RNB2-18	11/16	19.0									
RNB2-20	3/4	21.0								500	

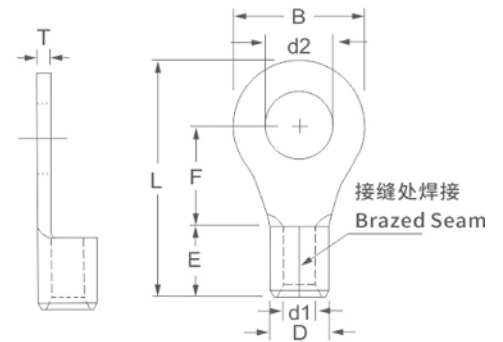
圆形裸端子 Non-Insulated Ring Terminal



型号 ITEM NO.	STUD SIZE 美制螺栓号 螺栓口直径		尺寸 DIMENSION mm							包装 PCS/ PACK	说明 EXPLANATION
	American	Metric d2	B	F	L	E	D	d1	T		
RNB3.5-3	#4	3.2	8.0	8.0	18.0	6.0	5.0	3.0	1.0	1000	导线截面:2.5~4mm ² (美国线规14~12) 最大电流: I _{max} =37A 材质:紫铜 Lead Section: 2.5~4mm ² (A.W. G.14-12) Max Current:I _{max} =37A Material:Copper
RNB3.5-3.5	#6	3.7									
RNB3.5-4	#8	4.3									
RNB3.5-4M	#8	4.3	9.5	8.3	20.0						
RNB3.5-5S	#10	5.3	8.0	8.0	18.0						
RNB3.5-5M	#10	5.3	9.5	8.3	20.0						
RNB3.5-5L	#10	5.3	12.0	9.5	21.5						
RNB3.5-6	1/4	6.5	15.0	13.5	27.0						
RNB3.5-8	5/16	8.5									
RNB3.5-10	3/8	10.5									
RNB3.5-12	1/2	13.0	19.2	16.0	32.0						
RNB5.5-3	#4	3.2	7.2	6.0	15.8	6.2	5.5	3.4	1.0	1000	导线截面:4~6mm ² (美国线规12~10) 最大电流: I _{max} =48A 材质:紫铜 Lead Section: 4~6mm ² (A.W. G.12-10) Max Current:I _{max} =48A Material:Copper
RNB5.5-3.5	#6	3.7									
RNB5.5-4S	#8	4.3									
RNB5.5-4L	#8	4.3	9.5	8.2	19.2						
RNB5.5-5	#10	5.3	12.0	10.5	22.5						
RNB5.5-6	1/4	6.5		13.0	25.0						
RNB5.5-6M	1/4	6.5									
RNB5.5-8	5/16	8.5	15.0	13.5	27.0						
RNB5.5-10	3/8	10.5	32.0	25.2	47.2						
RNB5.5-12	1/2	13.0									
RNB5.5-14	9/16	15.0									
RNB5.5-16	5/8	17.0									
RNB5.5-18	11/16	19.0	500								
RNB5.5-20	3/4	21.0									

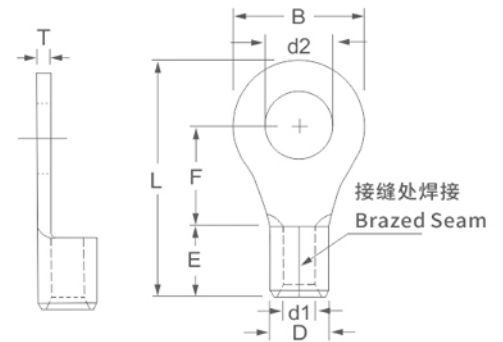
裸端子系列
Non-Insulated
Terminal Series

圆形裸端子 Non-Insulated Ring Terminal


 裸端子系列
Non-Insulated Terminal Series

型号 ITEM NO.	STUD SIZE 美制螺栓号 螺栓口直径		尺寸 DIMENSION mm							包装 PCS/ PACK	说明 EXPLANATION	
	American	Metric d2	B	F	L	E	D	d1	T			
RNB8-4SS	#8	4.3	8.0	9.5	21.5	8.6	7.2	4.5	1.2	500	导线截面:6~10mm ² (美国线规8) 最大电流: I _{max} =62A 材质:紫铜	
RNB8-4S	#8	4.3	8.8	10.5	23.8							
RNB8-4L	#8	4.3	12.0	9.3	24.0							
RNB8-5S	#10	5.3	8.8	10.5	23.8							
RNB8-5M	#10	5.3	12.0	9.3	24.0							
RNB8-5L	#10	5.3	15.0	13.8	30.0							
RNB8-6S	1/4	6.5	12.0	9.3	24.0							
RNB8-6L	1/4	6.5	15.0	13.8	30.0							
RNB8-8	5/16	8.5										
RNB8-10	3/8	10.5										
RNB8-12	1/2	13.0	20.0	15.0	33.3							
RNB8-14	9/16	15.0	31.7	25.5	50.0							200
RNB8-16	5/8	17.0										
RNB8-18	11/16	19.0										
RNB8-20	3/4	21.0										

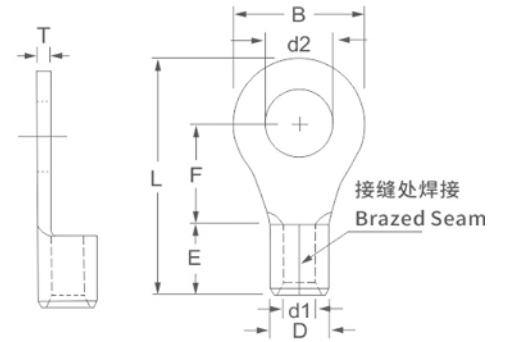
圆形裸端子 Non-Insulated Ring Terminal



型号 ITEM NO.	STUD SIZE 美制螺栓号 螺栓口直径		尺寸 DIMENSION mm							包装 PCS/ PACK	说明 EXPLANATION
	American	Metric d2	B	F	L	E	D	d1	T		
RNB14-4SS	#8	4.3	12.1	11.5	27.4	10.8	9.0	5.8	1.5	200	导线截面:10~16mm ² (美国线规6) 最大电流: I _{max} =88A 材质:紫铜 Lead Section: 10~16mm ² (A.W. G.6) Max Current:I _{max} =88A Material:Copper
RNB14-4	#8	4.3	12.0	13.3	30.0						
RNB14-5SS	#10	5.3	12.1	11.5	27.4						
RNB14-5S	#10	5.3	12.0	13.3	30.0						
RNB14-5L	#10	5.3	16.0	14.2	33.0						
RNB14-6SS	1/4	6.5	12.1	11.5	27.4						
RNB14-6S	1/4	6.5	12.0	13.3	30.0						
RNB14-6L	1/4	6.5	16.0	14.2	33.0						
RNB14-8	5/16	8.5									
RNB14-10	3/8	10.5									
RNB14-12	1/2	13.0	22.0	19.8	41.0						
RNB14-14	9/16	15.0	31.7	25.5	51.6						
RNB14-16	5/8	17.0									
RNB14-18	11/16	19.0									
RNB14-20	3/4	21.0									

裸端子系列
Non-Insulated
Terminal Series

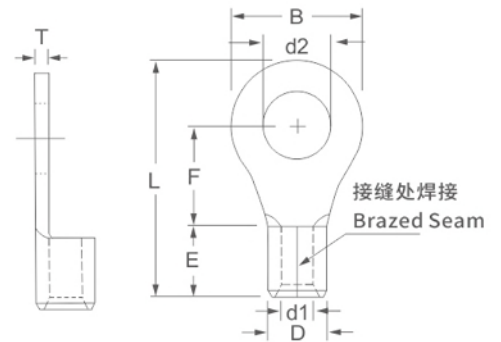
圆形裸端子 Non-Insulated Ring Terminal



Non-Insulated Terminal Series 裸端子系列

型号 ITEM NO.	STUD SIZE 美制螺栓号 螺栓口直径		尺寸 DIMENSION mm							包装 PCS/ PACK	说明 EXPLANATION
	American	Metric d2	B	F	L	E	D	d1	T		
RNB22-3S	#4	3.2	12.1	14.5	33.3	12.0	11.5	7.7	1.8	200	导线截面:16~25mm ² (美国线规4) 最大电流: I _{max} =115A 材质:紫铜
RNB22-4S	#8	4.3									
RNB22-5S	#10	5.3									
RNB22-5L	#10	5.3	16.5	13.5	33.5						
RNB22-6S	1/4	6.5	12.1	14.5	33.3						
RNB22-6L	1/4	6.5	16.5	13.5	33.5						
RNB22-8	5/16	8.5									
RNB22-10	3/8	10.5									
RNB22-12	1/2	13.0	22.0	19.7	42.7						
RNB22-14	9/16	15.0	31.7	24.5	52.0						
RNB22-16	5/8	17.0									
RNB22-18	11/16	19.0									
RNB22-20	3/4	21.0									

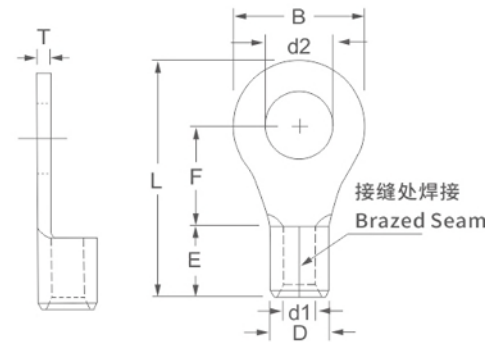
圆形裸端子 Non-Insulated Ring Terminal



型号 ITEM NO.	STUD SIZE 美制螺栓号 螺栓口直径		尺寸 DIMENSION mm							包装 PCS/ PACK	说明 EXPLANATION
	American	Metric d2	B	F	L	E	D	d1	T		
RNB38-5	#10	5.3	15.3	17.4	39.0	14.0	13.5	9.4	1.8	200	导线截面:35mm ² (美国线规2) 最大电流:Imax=160A 材质:紫铜
RNB38-6S	1/4	6.5									
RNB38-6L	1/4	6.5	22.0	17.7	42.7						
RNB38-8S	5/16	8.5	15.3	17.4	39.0						
RNB38-8L	5/16	8.5	22.0	17.7	42.7						
RNB38-10S	3/8	10.5	15.3	17.4	39.0						
RNB38-10L	3/8	10.5	22.0	17.7	42.7						
RNB38-11	7/16	11.5									
RNB38-12	1/2	13.0									
RNB38-14	9/16	15.0	31.7	23.5	52.0						
RNB38-16	5/8	17.0									
RNB38-18	11/16	19.0									
RNB38-20	3/4	21.0									

裸端子系列
Non-Insulated
Terminal Series

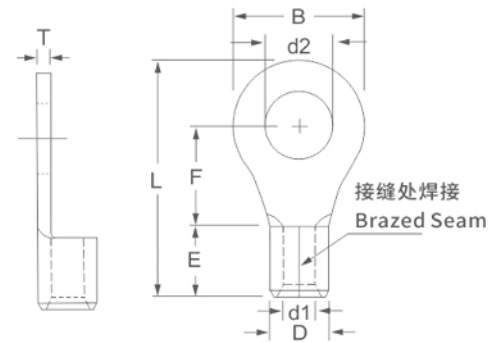
圆形裸端子 Non-Insulated Ring Terminal



Non-Insulated Terminal Series 裸端子系列

型号 ITEM NO.	STUD SIZE 美制螺栓号 螺栓口直径		尺寸 DIMENSION mm							包装 PCS/ PACK	说明 EXPLANATION
	American	Metric d2	B	F	L	E	D	d1	T		
RNB60-6	1/4	6.5	22.0	21.0	50.3	18.0	15.5	11.5	1.8	100	导线截面:50mm ² (美国线规1/0) 最大电流: I _{max} =215A 材质:紫铜 Lead Section: 50mm ² (A.W. G.1/0) Max Current:I _{max} =215A Material:Copper
RNB60-8	5/16	8.5									
RNB60-10	3/8	10.5									
RNB60-11	7/16	11.5									
RNB60-12	1/2	13.0									
RNB60-14	9/16	15.0	32.0	23.5	57.5	18.0	17.5	13.3	2.0	50	
RNB60-16	5/8	17.0									
RNB60-18	11/16	19.0									
RNB60-20	3/4	21.0									
RNB60-22	7/8	23.0									
RNB70-6	1/4	6.5									
RNB70-8	5/16	8.5	24.0	20.0	50.0	18.0	17.5	13.3	2.0	100	导线截面:70mm ² (美国线规2/0) 最大电流: I _{max} =235A 材质:紫铜 Lead Section: 70mm ² (A.W. G.2/0) Max Current:I _{max} =235A Material:Copper
RNB70-10	3/8	10.5									
RNB70-11	7/16	11.5									
RNB70-12	1/2	13.0									
RNB70-14	9/16	15.0									
RNB70-16	5/8	17.0	32.0	26.0	61.0	18.0	17.5	13.3	2.0	50	
RNB70-18	11/16	19.0									
RNB70-20	3/4	21.0									
RNB70-22	7/8	23.0									

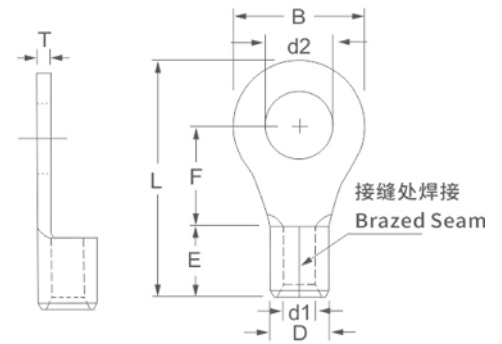
圆形裸端子 Non-Insulated Ring Terminal



型号 ITEM NO.	STUD SIZE 美制螺栓号 螺栓口直径		尺寸 DIMENSION mm							包装 PCS/ PACK	说明 EXPLANATION	
	American	Metric d2	B	F	L	E	D	d1	T			
RNB80-6	1/4	6.5	27.0	20.7	54.2	20.0	19.5	14.5	2.3	50	导线截面:95mm ² (美国线规3/0) 最大电流: I _{max} =255A 材质:紫铜 Lead Section: 95mm ² (A.W. G.3/0) Max Current:I _{max} =255A Material:Copper	
RNB80-8	5/16	8.5										
RNB80-10	3/8	10.5										
RNB80-11	7/16	11.5										
RNB80-12	1/2	13.0										
RNB80-14	9/16	15.0	32.0	32.0	68.0	21.5	22.2	16.5	2.8	50		导线截面:120mm ² (美国线规4/0) 最大电流: I _{max} =300A 材质:紫铜 Lead Section: 120mm ² (A.W. G.4/0) Max Current:I _{max} =300A Material:Copper
RNB80-16	5/8	17.0										
RNB80-18	11/16	19.0										
RNB80-20	3/4	21.0										
RNB80-22	7/8	23.0										
RNB100-6	1/4	6.5	28.5	20.4	55.6	21.5	22.2	16.5	2.8	50	导线截面:120mm ² (美国线规4/0) 最大电流: I _{max} =300A 材质:紫铜 Lead Section: 120mm ² (A.W. G.4/0) Max Current:I _{max} =300A Material:Copper	
RNB100-8	5/16	8.5										
RNB100-10	3/8	10.5										
RNB100-11	7/16	11.5										
RNB100-12	1/2	13.0										
RNB100-14	9/16	15.0	32.0	32.0	69.0	21.5	22.2	16.5	2.8	50		导线截面:120mm ² (美国线规4/0) 最大电流: I _{max} =300A 材质:紫铜 Lead Section: 120mm ² (A.W. G.4/0) Max Current:I _{max} =300A Material:Copper
RNB100-16	5/8	17.0										
RNB100-18	11/16	19.0										
RNB100-20	3/4	21.0										
RNB100-22	7/8	23.0										

裸端子系列
Non-Insulated
Terminal Series

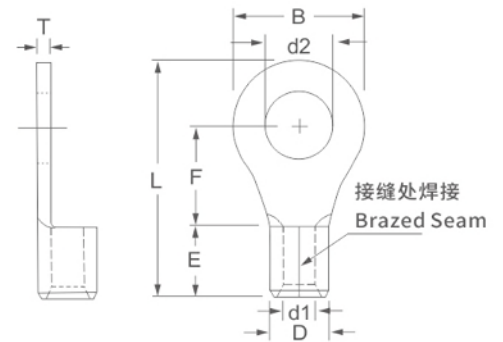
圆形裸端子 Non-Insulated Ring Terminal



Non-Insulated Terminal Series 裸端子系列

型号 ITEM NO.	STUD SIZE 美制螺栓号 螺栓口直径		尺寸 DIMENSION mm							包装 PCS/ PACK	说明 EXPLANATION	
	American	Metric d2	B	F	L	E	D	d1	T			
RNB150-8	5/16	8.5	36.0	23.0	68.0	27.0	26.8	20.2	3.2	25	导线截面:150mm ² (美国线规250/300MCB) 最大电流: I _{max} =395A 材质:紫铜 Lead Section: 150mm ² (A.W. G.250/300MCB) Max Current:I _{max} =395A Material:Copper	
RNB150-10	3/8	10.5										
RNB150-11	7/16	11.5										
RNB150-12	1/2	13.0										
RNB150-14	9/16	15.0										
RNB150-16	5/8	17.0										
RNB150-18	11/16	19.0	36.0	36.6	81.0	27.0	26.8	21.5	3.5	20		导线截面:185mm ² (美国线规300/350MCB) 最大电流: I _{max} =440A 材质:紫铜 Lead Section: 185mm ² (A.W. G.300/350MCB) Max Current:I _{max} =440A Material:Copper
RNB150-20	3/4	21.0										
RNB150-22	7/8	23.0										
RNB150-24	15/16	25.0										
RNB150-27	1	28.0										
RNB180-8	5/16	8.5										
RNB180-10	3/8	10.5										
RNB180-11	7/16	11.5										
RNB180-12	1/2	13.0										
RNB180-14	9/16	15.0										
RNB180-16	5/8	17.0										
RNB180-18	11/16	19.0										
RNB180-20	3/4	21.0										
RNB180-22	7/8	23.0										
RNB180-24	15/16	25.0										
RNB180-27	1	28.0										

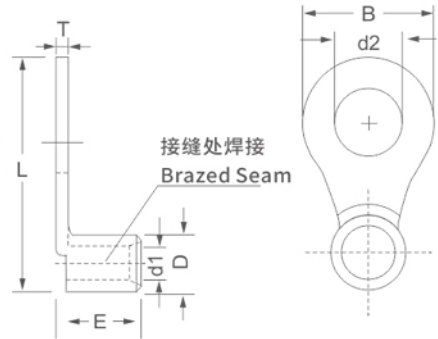
圆形裸端子 Non-Insulated Ring Terminal



型号 ITEM NO.	STUD SIZE 美制螺栓号 螺栓口直径		尺寸 DIMENSION mm							包装 PCS/ PACK	说明 EXPLANATION
	American	Metric d2	B	F	L	E	D	d1	T		
RNB200-8	5/16	8.5	44.0	24.5	77.8	31.5	32.8	24.6	4.0	10	导线截面:240mm ² (美国线规400/500MCB) 最大电流: I _{max} =470A 材质:紫铜 Lead Section:240mm ² (A.W. G.400/500MCB) Max Current:I _{max} =470A Material:Copper
RNB200-10	3/8	10.5									
RNB200-11	7/16	11.5									
RNB200-12	1/2	13.0									
RNB200-14	9/16	15.0									
RNB200-16	5/8	17.0									
RNB200-18	11/16	19.0	44.0	37.5	91.0	31.5	32.8	24.6	4.0	10	
RNB200-20	3/4	21.0									
RNB200-22	7/8	23.0									
RNB200-24	15/16	25.0									
RNB200-27	1	28.0									
RNB200-27	1	28.0									
RNB325-8	5/16	8.5	50.5	33.5	94.0	35.8	37.8	28.6	4.3	5	导线截面:400mm ² (美国线规500/600MCB) 最大电流: I _{max} =650A 材质:紫铜 Lead Section:400mm ² (A.W. G.500/600MCB) Max Current:I _{max} =650A Material:Copper
RNB325-10	3/8	10.5									
RNB325-11	7/16	11.5									
RNB325-12	1/2	13.0									
RNB325-14	9/16	15.0									
RNB325-16	5/8	17.0									
RNB325-18	11/16	19.0	50.5	45.0	105.7	35.8	37.8	28.6	4.3	5	
RNB325-20	3/4	21.0									
RNB325-22	7/8	23.0									
RNB325-24	15/16	25.0									
RNB325-27	1	28.0									
RNB325-27	1	28.0									

裸端子系列
Non-Insulated
Terminal Series

圆形裸端子 (90D)
Non-Insulated Ring Terminal
90-Degree

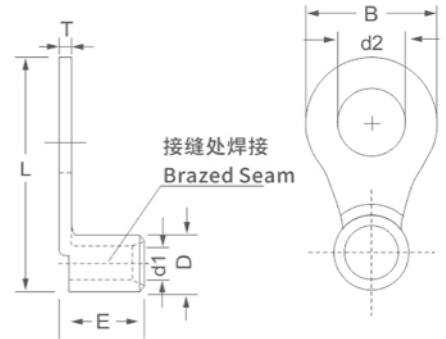


角度可定制
Customized design

Non-Insulated Terminal Series 裸端子系列

型号 ITEM NO.	STUD SIZE 美制螺栓号 螺栓口直径		尺寸 DIMENSION mm						包装 PCS/ PACK	说明 EXPLANATION
	American	Metric d2	B	L	E	D	d1	T		
RNB0.5-3-90D	#4	3.2	5.7	10.6	5.5	2.3	1.3	0.5	1000	导线截面:0.2~0.5mm ² (美国线规26~22) 最大电流: I _{max} =10A 材质:紫铜 Lead Section: 0.5~1.5mm ² (A.W. G.26-22) Max Current:I _{max} =10A Material:Copper
RNB0.5-3.5S-90D	#6	3.7								
RNB0.5-3.5M-90D	#6	3.7								
RNB0.5-4-90D	#8	4.3								
RNB0.5-6-90D	1/4	6.5	6.6	12.2						
RNB1.25-3-90D	#4	3.2	5.7	10.8	6.0	3.4	1.8	0.7	1000	
RNB1.25-3.5S-90D	#6	3.7								
RNB1.25-3.5M-90D	#6	3.7	6.6	12.5						
RNB1.25-3.5L-90D	#6	3.7	8.0	14.0						
RNB1.25-4S-90D	#8	4.3	6.6	12.5						
RNB1.25-4L-90D	#8	4.3								
RNB1.25-5S-90D	#10	5.3	8.0	14.0						
RNB1.25-5L-90D	#10	5.3								9.5
RNB1.25-5LL-90D	#10	5.3	11.6	19.8						
RNB1.25-6S-90D	1/4	6.5	9.5	15.2						
RNB1.25-6L-90D	1/4	6.5								
RNB1.25-8-90D	5/16	8.5	11.6	19.8						
RNB1.25-8L-90D	5/16	8.5								
RNB1.25-10-90D	3/8	10.5	13.7	23.5						
RNB1.25-10L-90D	3/8	10.5								
RNB1.25-12-90D	1/2	13.0	18.0	27.0						
RNB1.25-14-90D	9/16	15.0								
RNB1.25-16-90D	5/8	17.0	27.0	37.3						
RNB1.25-18-90D	11/16	19.0								
RNB1.25-20-90D	3/4	21.0								

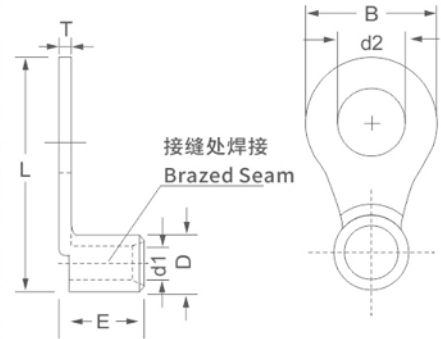
圆形裸端子 (90D)
Non-Insulated Ring Terminal
90-Degree



角度可定制
Customized design

型号 ITEM NO.	STUD SIZE 美制螺栓号 螺栓口直径		尺寸 DIMENSION mm						包装 PCS/ PACK	说明 EXPLANATION
	American	Metric d2	B	L	E	D	d1	T		
RNB2-3-90D	#4	3.2	6.6	10.5	6.2	4.0	2.3	0.8	1000	导线截面:1.5~2.5mm ² (美国线规16~14) 最大电流: I _{max} =27A 材质:紫铜
RNB2-3.5S-90D	#6	3.7		12.5						
RNB2-3.5M-90D	#6	3.7	8.5							
RNB2-3.5L-90D	#6	3.7	6.6							
RNB2-4S-90D	#8	4.3	12.5							
RNB2-4L-90D	#8	4.3	8.5							
RNB2-5S-90D	#10	5.3	14.5							
RNB2-5L-90D	#10	5.3	9.5							
RNB2-6S-90D	1/4	6.5	15.0							
RNB2-6L-90D	1/4	6.5	12.0							
RNB2-8-90D	5/16	8.5	19.5							
RNB2-8L-90D	5/16	8.5	13.6							
RNB2-10-90D	3/8	10.5	23.5							
RNB2-10L-90D	3/8	10.5	18.2							
RNB2-12-90D	1/2	13.0	27.3							
RNB2-14-90D	9/16	15.0	27.0	37.3	6.2	4.0	2.3	0.8	500	Lead Section: 1.5~2.5mm ² (A.W. G.16-14) Max Current:I _{max} =27A Material:Copper
RNB2-16-90D	5/8	17.0								
RNB2-18-90D	11/16	19.0								
RNB2-20-90D	3/4	21.0								

圆形裸端子 (90D)
Non-Insulated Ring Terminal
90-Degree

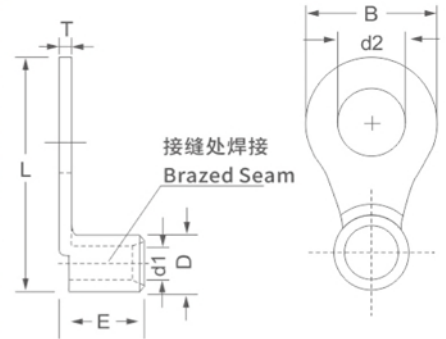


角度可定制
Customized design

Non-Insulated Terminal Series 裸端子系列

型号 ITEM NO.	STUD SIZE 美制螺栓号 螺栓口直径		尺寸 DIMENSION mm						包装 PCS/ PACK	说明 EXPLANATION
	American	Metric d2	B	L	E	D	d1	T		
RNB3.5-3-90D	#4	3.2	8.0	16.0	7.0	5.0	3.0	1.0	1000	导线截面:2.5~4mm ² (美国线规14~12) 最大电流: I _{max} =37A 材质:紫铜
RNB3.5-3.5-90D	#6	3.7								
RNB3.5-4-90D	#8	4.3								
RNB3.5-4M-90D	#8	4.3	9.5	18.0						
RNB3.5-5S-90D	#10	5.3	8.0	16.0						
RNB3.5-5M-90D	#10	5.3	9.5	18.0						
RNB3.5-5L-90D	#10	5.3	12.0	19.5						
RNB3.5-6-90D	1/4	6.5								
RNB3.5-8-90D	5/16	8.5	15.0	25.0						
RNB3.5-10-90D	3/8	10.5								
RNB3.5-12-90D	1/2	13.0	19.2	30.0						
RNB5.5-3-90D	#4	3.2	7.2	13.8	7.4	5.5	3.4	1.0	1000	导线截面:4~6mm ² (美国线规12~10) 最大电流: I _{max} =48A 材质:紫铜
RNB5.5-3.5-90D	#6	3.7								
RNB5.5-4S-90D	#8	4.3								
RNB5.5-4L-90D	#8	4.3	9.5	17.2						
RNB5.5-5-90D	#10	5.3								
RNB5.5-6-90D	1/4	6.5	12.0	20.5						
RNB5.5-6M-90D	1/4	6.5		23.0						
RNB5.5-8-90D	5/16	8.5	15.0	25.0						
RNB5.5-10-90D	3/8	10.5								
RNB5.5-12-90D	1/2	13.0	19.2	30.0						
RNB5.5-14-90D	9/16	15.0	32.0	45.2	500					
RNB5.5-16-90D	5/8	17.0								
RNB5.5-18-90D	11/16	19.0								
RNB5.5-20-90D	3/4	21.0								

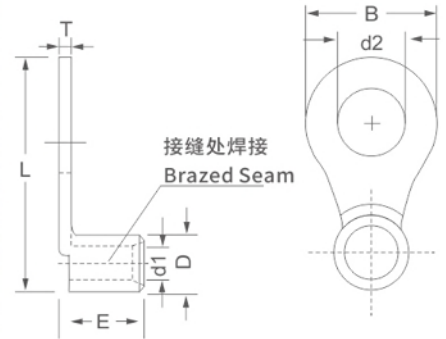
圆形裸端子 (90D)
Non-Insulated Ring Terminal
90-Degree



角度可定制
Customized design

型号 ITEM NO .	STUD SIZE 美制螺栓号 螺栓口直径		尺寸 DIMENSION mm						包装 PCS/ PACK	说明 EXPLANATION	
	American	Metric d2	B	L	E	D	d1	T			
RNB8-4SS-90D	#8	4.3	8.0	19.0	10.0	7.2	4.5	1.2	500	导线截面:6~10mm ² (美国线规8) 最大电流: I _{max} =62A 材质:紫铜	
RNB8-4S-90D	#8	4.3	8.8	21.2							
RNB8-4L-90D	#8	4.3	12.0	21.4							
RNB8-5S-90D	#10	5.3	8.8	21.2							
RNB8-5M-90D	#10	5.3	12.0	21.4							
RNB8-5L-90D	#10	5.3	15.0	27.4							
RNB8-6S-90D	1/4	6.5	12.0	21.4							
RNB8-6L-90D	1/4	6.5	15.0	27.4							
RNB8-8-90D	5/16	8.5									
RNB8-10-90D	3/8	10.5									
RNB8-12-90D	1/2	13.0	20.0	30.7							
RNB8-14-90D	9/16	15.0	31.7	47.4							200
RNB8-16-90D	5/8	17.0									
RNB8-18-90D	11/16	19.0									
RNB8-20-90D	3/4	21.0									

圆形裸端子 (90D)
Non-Insulated Ring Terminal
90-Degree

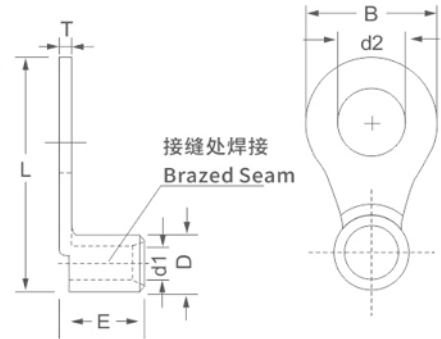


角度可定制
Customized design

Non-Insulated Terminal Series 裸端子系列

型号 ITEM NO.	STUD SIZE 美制螺栓号 螺栓口直径		尺寸 DIMENSION mm						包装 PCS/ PACK	说明 EXPLANATION
	American	Metric d2	B	L	E	D	d1	T		
RNB14-4SS-90D	#8	4.3	12.1	24.2	12.5	9.0	5.8	1.5	200	导线截面:10~16mm ² (美国线规6) 最大电流:Imax=88A 材质:紫铜 Lead Section: 10~16mm ² (A.W. G.6) Max Current:Imax=88A Material:Copper
RNB14-4-90D	#8	4.3	12.0	26.8						
RNB14-5SS-90D	#10	5.3	12.1	24.2						
RNB14-5S-90D	#10	5.3	12.0	26.8						
RNB14-5L-90D	#10	5.3	16.0	29.8						
RNB14-6SS-90D	1/4	6.5	12.1	24.2						
RNB14-6S-90D	1/4	6.5	12.0	26.8						
RNB14-6L-90D	1/4	6.5	16.0	29.8						
RNB14-8-90D	5/16	8.5								
RNB14-10-90D	3/8	10.5								
RNB14-12-90D	1/2	13.0	22.0	37.8						
RNB14-14-90D	9/16	15.0	31.7	48.4						
RNB14-16-90D	5/8	17.0								
RNB14-18-90D	11/16	19.0								
RNB14-20-90D	3/4	21.0								

圆形裸端子 (90D)
Non-Insulated Ring Terminal
90-Degree

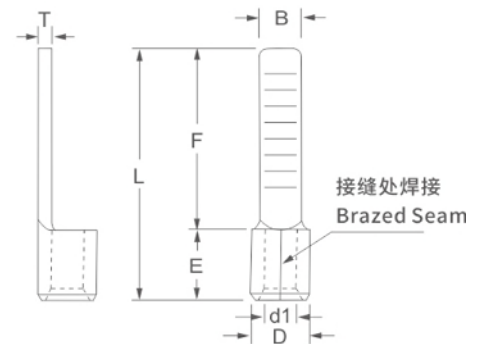


角度可定制
Customized design

型号 ITEM NO.	STUD SIZE 美制螺栓号 螺栓口直径		尺寸 DIMENSION mm						包装 PCS/ PACK	说明 EXPLANATION
	American	Metric d2	B	L	E	D	d1	T		
RNB22-3S-90D	#4	3.2	12.1	31.0	14.0	11.5	7.7	1.8	200	导线截面:16~25mm ² (美国线规4) 最大电流: I _{max} =115A 材质:紫铜
RNB22-4S-90D	#8	4.3								
RNB22-5S-90D	#10	5.3								
RNB22-5L-90D	#10	5.3	16.5	31.2						
RNB22-6S-90D	1/4	6.5	12.1	31.0						
RNB22-6L-90D	1/4	6.5	16.5	31.2						
RNB22-8-90D	5/16	8.5								
RNB22-10-90D	3/8	10.5	22.0	41.3						
RNB22-12-90D	1/2	13.0								
RNB22-14-90D	9/16	15.0								
RNB22-16-90D	5/8	17.0	31.7	49.7	16.0	13.5	9.4	1.8	100	导线截面:16~25mm ² (美国线规4) 最大电流: I _{max} =115A 材质:紫铜
RNB22-18-90D	11/16	19.0								
RNB22-20-90D	3/4	21.0								
RNB38-5-90D	#10	5.3								
RNB38-6S-90D	1/4	6.5	22.0	40.7						
RNB38-6L-90D	1/4	6.5								
RNB38-8S-90D	5/16	8.5	15.3	37.0						
RNB38-8L-90D	5/16	8.5	22.0	40.7						
RNB38-10S-90D	3/8	10.5	15.3	37.0						
RNB38-10L-90D	3/8	10.5	22.0	40.7						
RNB38-11-90D	7/16	11.5								
RNB38-12-90D	1/2	13.0	31.7	50.0						
RNB38-14-90D	9/16	15.0								
RNB38-16-90D	5/8	17.0								
RNB38-18-90D	11/16	19.0								
RNB38-20-90D	3/4	21.0								

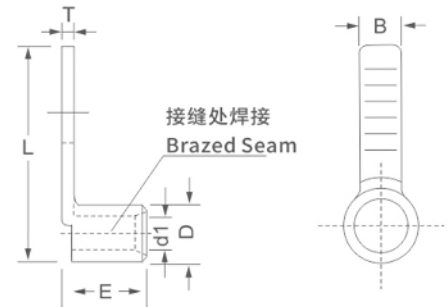
裸端子系列
Non-Insulated
Terminal Series

片形裸端子 Non-Insulated Blade Terminal


 裸端子系列
Non-Insulated Terminal Series

型号 ITEM NO.	尺寸 DIMENSION mm							包装 PCS/ PACK	说明 EXPLANATION
	B	F	L	E	D	d1	T		
DBN1.25-10	2.3	10.0	14.8	4.8	3.4	1.7	0.7	1000	导线截面:0.5~1.5mm ² (美国线规22~16) 最大电流: I _{max} =19A 材质:紫铜 Lead Section:0.5~1.5mm ² (A.W. G.22~16) Max Current:I _{max} =19A Material:Copper
DBN1.25-11	3.0	11.0	15.8						
DBN1.25-14S	2.4	14.0	18.8						
DBN1.25-14L	3.0		18.8						
DBN1.25-18	2.3	18.0	22.8						
DBN2-9	2.8	9.0	13.8	4.8	4.0	2.3	0.8	1000	导线截面:1.5~2.5mm ² (美国线规16~14) 最大电流: I _{max} =27A 材质:紫铜 Lead Section:1.5~2.5mm ² (A.W. G.16~14) Max Current:I _{max} =27A Material:Copper
DBN2-10	2.8	10.0	14.8						
DBN2-14S	2.4	14.0	18.8						
DBN2-14L	3.0		18.8						
DBN2-18	2.3	18.0	22.8						
DBN5.5-10	2.8	10.0	16.0	6.0	5.6	3.4	1.0	1000	导线截面:4~6mm ² (美国线规12~10) 最大电流: I _{max} =48A 材质:紫铜 Lead Section:4~6mm ² (A.W. G.12~10) Max Current:I _{max} =48A Material:Copper
DBN5.5-14S	3.0	14.0	20.0						
DBN5.5-14	4.5		20.0						
DBN5.5-18S	3.0	18.0	24.0						
DBN5.5-18	4.5		24.0						
DBN8-14	6.1	14.0	22.6	8.6	7.2	4.8	1.2	500	最大电流: I _{max} =62A 材质:紫铜 Max Current:I _{max} =62A Material:Copper
DBN14-16	6.1	16.0	26.2	10.5	9.0	6.0	1.5	200	最大电流: I _{max} =88A 材质:紫铜 Max Current:I _{max} =88A Material:Copper
DBN22-17	7.1	17.0	29.2	12.3	11.5	7.8	1.8	200	最大电流: I _{max} =115A 材质:紫铜 Max Current:I _{max} =115A Material:Copper
DBN38-17	7.7		31.2	14.3	13.5	9.8	1.8	100	最大电流: I _{max} =160A 材质:紫铜 Max Current:I _{max} =160A Material:Copper

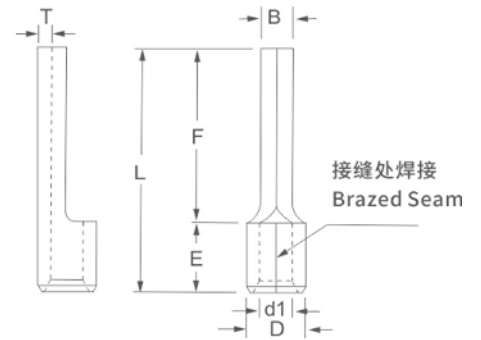
片形裸端子 (90D)
Non-Insulated Blade Terminal
90-Degree



角度可定制
Customized design

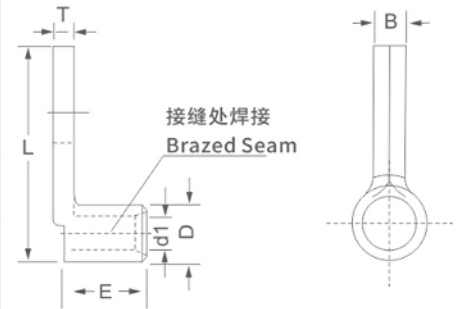
型号 ITEM NO.	尺寸 DIMENSION mm						包装 PCS/ PACK	说明 EXPLANATION
	B	L	E	D	d1	T		
DBN1.25-10-90D	2.3	12.8	6.0	3.4	1.7	0.7	1000	导线截面:0.5~1.5mm ² (美国线规22~16) 最大电流: I _{max} =19A 材质:紫铜 Lead Section:0.5~1.5mm ² (A.W. G.22~16) Max Current:I _{max} =19A Material:Copper
DBN1.25-11-90D	3.0	13.8						
DBN1.25-14S-90D	2.4	16.8						
DBN1.25-14L-90D	3.0							
DBN1.25-18-90D	2.3	20.8						
DBN2-9-90D	2.8	11.8	6.2	4.0	2.3	0.8	1000	导线截面:1.5~2.5mm ² (美国线规16~14) 最大电流: I _{max} =27A 材质:紫铜 Lead Section:1.5~2.5mm ² (A.W. G.16~14) Max Current:I _{max} =27A Material:Copper
DBN2-10-90D	2.8	12.8						
DBN2-14S-90D	2.4	16.8						
DBN2-14L-90D	3.0							
DBN2-18-90D	2.3	20.8						
DBN5.5-10-90D	2.8	14.0	7.4	5.6	3.4	1.0	1000	导线截面:4~6mm ² (美国线规12~10) 最大电流: I _{max} =48A 材质:紫铜 Lead Section:4~6mm ² (A.W. G.12~10) Max Current:I _{max} =48A Material:Copper
DBN5.5-14S-90D	3.0	18.0						
DBN5.5-14-90D	4.5							
DBN5.5-18S-90D	3.0	22.0						
DBN5.5-18-90D	4.5							
DBN8-14-90D	6.1	20.1	10.0	7.2	4.8	1.2	500	最大电流: I _{max} =62A 材质:紫铜 Max Current:I _{max} =62A Material:Copper
DBN14-16-90D	6.1	23.0	12.5	9.0	6.0	1.5	200	最大电流: I _{max} =88A 材质:紫铜 Max Current:I _{max} =88A Material:Copper
DBN22-17-90D	7.1	27.0	14.0	11.5	7.8	1.8	200	最大电流: I _{max} =115A 材质:紫铜 Max Current:I _{max} =115A Material:Copper
DBN38-17-90D	7.7	29.2	16.0	13.5	9.8	1.8	100	最大电流: I _{max} =160A 材质:紫铜 Max Current:I _{max} =160A Material:Copper

针形裸端子 Non-Insulated Pin Terminal


 裸端子系列
Non-Insulated Terminal Series

型号 ITEM NO.	尺寸 DIMENSION mm							包装 PCS/ PACK	说明 EXPLANATION
	B	F	L	E	D	d1	T		
PTN1.25-7	1.9	7.0	11.8	4.8	3.4	1.7	0.7	1000	导线截面:0.5~1.5mm ² (美国线规22~16) 最大电流: I _{max} =19A 材质:紫铜 Lead Section:0.5~1.5mm ² (A.W. G.22~16) Max Current:I _{max} =19A Material:Copper
PTN1.25-9		9.0	13.8						
PTN1.25-10		10.0	14.8						
PTN1.25-12		12.0	16.8						
PTN1.25-13		13.0	17.8						
PTN1.25-18		18.0	22.8						
PTN2-8	1.9	8.0	12.8	4.8	4.1	2.3	0.8	1000	导线截面:1.5~2.5mm ² (美国线规16~14) 最大电流: I _{max} =27A 材质:紫铜 Lead Section:1.5~2.5mm ² (A.W. G.16~14) Max Current:I _{max} =27A Material:Copper
PTN2-9		9.0	13.8						
PTN2-10		10.0	14.8						
PTN2-12		12.0	16.8						
PTN2-13		13.0	17.8						
PTN2-18		18.0	22.8						
PTN3.5-7	2.8	7.0	13.8	6.0	5.0	3.0	1.0	1000	导线截面:2.5~4mm ² (美国线规14~12) 最大电流: I _{max} =48A 材质:紫铜 Lead Section:2.5~4mm ² (A.W. G.14~12) Max Current:I _{max} =48A Material:Copper
PTN3.5-10		10.0	16.8						
PTN3.5-13		13.0	19.8						
PTN5.5-7	2.8	7.0	13.8	6.0	5.6	3.4	1.0	1000	导线截面:4~6mm ² (美国线规12~10) 最大电流: I _{max} =48A 材质:紫铜 Lead Section:4~6mm ² (A.W. G.12~10) Max Current:I _{max} =48A Material:Copper
PTN5.5-10		10.0	16.8						
PTN5.5-13		13.0	19.8						
PTN5.5-18		18.0	24.8						

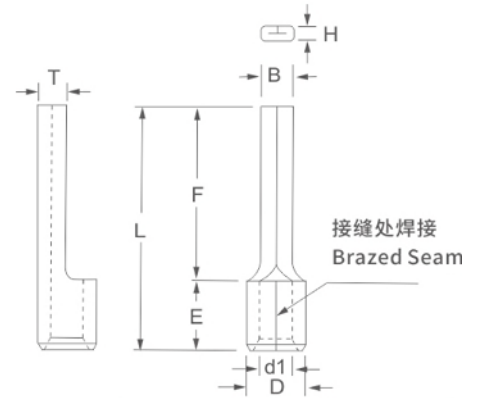
针形裸端子 (90D)
Non-Insulated Pin Terminal
90-Degree



角度可定制
Customized design

型号 ITEM NO.	尺寸 DIMENSION mm						包装 PCS/ PACK	说明 EXPLANATION
	B	L	E	D	d1	T		
PTN1.25-7-90D	1.9	9.8	6.0	3.4	1.7	0.7	1000	导线截面:0.5~1.5mm ² (美国线规22~16) 最大电流: I _{max} =19A 材质:紫铜 Lead Section:0.5~1.5mm ² (A.W. G.22~16) Max Current:I _{max} =19A Material:Copper
PTN1.25-9-90D		11.8						
PTN1.25-10-90D		12.8						
PTN1.25-12-90D		14.8						
PTN1.25-13-90D		15.8						
PTN1.25-18-90D		20.8						
PTN2-8-90D	1.9	10.8	6.2	4.1	2.3	0.8	1000	导线截面:1.5~2.5mm ² (美国线规16~14) 最大电流: I _{max} =27A 材质:紫铜 Lead Section:1.5~2.5mm ² (A.W. G.16~14) Max Current:I _{max} =27A Material:Copper
PTN2-9-90D		11.8						
PTN2-10-90D		12.8						
PTN2-12-90D		14.8						
PTN2-13-90D		15.8						
PTN2-18-90D		20.8						
PTN3.5-7-90D	2.8	11.8	7.0	5.0	3.0	1.0	1000	导线截面:2.5~4mm ² (美国线规14~12) 最大电流: I _{max} =48A 材质:紫铜 Lead Section:2.5~4mm ² (A.W. G.14~12) Max Current:I _{max} =48A Material:Copper
PTN3.5-10-90D		14.8						
PTN3.5-13-90D		17.8						
PTN5.5-7-90D	2.8	11.8	7.4	5.6	3.4	1.0	1000	导线截面:4~6mm ² (美国线规12~10) 最大电流: I _{max} =48A 材质:紫铜 Lead Section:4~6mm ² (A.W. G.12~10) Max Current:I _{max} =48A Material:Copper
PTN5.5-10-90D		14.8						
PTN5.5-13-90D		17.8						
PTN5.5-18-90D		22.8						

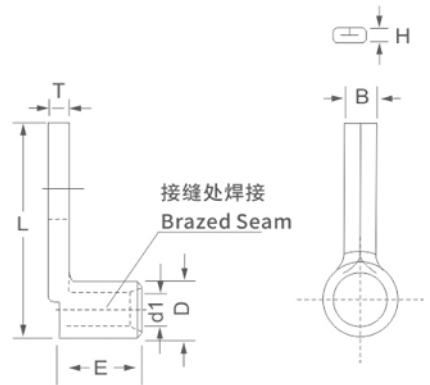
针形裸端子 Non-Insulated Pin Terminal



型号 ITEM NO.	尺寸 DIMENSION mm								包装 PCS/ PACK	说明 EXPLANATION
	B	F	L	E	D	d1	H	T		
PTN10-12	4.3	12.0	22.0	8.0	6.9	4.5	2.4	1.1	500	最大电流: I _{max} =62A 材质:紫铜 Max Current:I _{max} =62A Material:Copper
PTN16-13	5.5	13.0	26.0	10.0	8.4	5.8	2.8	1.2	200	最大电流: I _{max} =88A 材质:紫铜 Max Current:I _{max} =88A Material:Copper
PTN25-15	6.8	15.0	33.5	13.5	9.5	7.0	2.8	1.2	200	最大电流: I _{max} =115A 材质:紫铜 Max Current:I _{max} =115A Material:Copper
PTN35-20	8.0	20.0	40.5	16.0	11.8	8.4	3.2	1.5	200	最大电流: I _{max} =160A 材质:紫铜 Max Current:I _{max} =160A Material:Copper
PTN50-20	9.5	20.0	45.0	19.0	13.6	9.6	3.8	1.8	100	最大电流: I _{max} =215A 材质:紫铜 Max Current:I _{max} =215A Material:Copper
PTN70-25	11.0	23.0	55.5	24.0	15.8	11.4	4.4	2.0	50	最大电流: I _{max} =235A 材质:紫铜 Max Current:I _{max} =235A Material:Copper
PTN95-25	12.5	23.0	55.5	24.0	18.9	13.5	5.7	2.5	50	最大电流: I _{max} =255A 材质:紫铜 Max Current:I _{max} =255A Material:Copper

裸端子系列 Non-Insulated Terminal Series

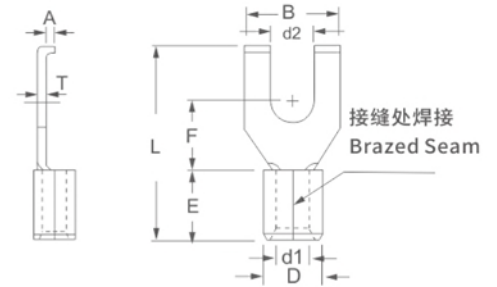
针形裸端子 (90D) Non-Insulated Pin Terminal 90-Degree



角度可定制 Customized design

型号 ITEM NO.	尺寸 DIMENSION mm							包装 PCS/ PACK	说明 EXPLANATION
	B	L	E	D	d1	H	T		
PTN10-12-90D	4.3	19.5	8.6	7.2	4.5	2.4	1.1	500	最大电流: I _{max} =62A 材质:紫铜 Max Current:I _{max} =62A Material:Copper
PTN16-13-90D	5.5	23.5	10.8	9.0	5.8	2.8	1.2	200	最大电流: I _{max} =88A 材质:紫铜 Max Current:I _{max} =88A Material:Copper
PTN25-15-90D	6.8	31.0	12.0	11.5	7.0	2.8	1.2	200	最大电流: I _{max} =115A 材质:紫铜 Max Current:I _{max} =115A Material:Copper
PTN35-20-90D	8.0	36.5	14.0	13.5	8.4	3.2	1.5	200	最大电流: I _{max} =160A 材质:紫铜 Max Current:I _{max} =160A Material:Copper
PTN50-20-90D	9.5	42.0	18.0	15.5	9.6	3.8	1.8	100	最大电流: I _{max} =215A 材质:紫铜 Max Current:I _{max} =215A Material:Copper
PTN70-25-90D	11.0	52.5	18.0	17.5	11.4	4.4	2.0	50	最大电流: I _{max} =235A 材质:紫铜 Max Current:I _{max} =235A Material:Copper
PTN95-25-90D	12.5	52.5	20.0	19.5	13.5	5.7	2.5	50	最大电流: I _{max} =255A 材质:紫铜 Max Current:I _{max} =255A Material:Copper

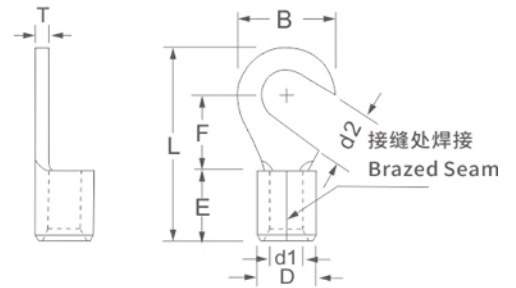
凸形裸端子
Non-Insulated
Convex Fork Terminal



型号 ITEM NO.	STUD SIZE 美制螺栓号 螺栓口直径		尺寸 DIMENSION mm								包装 PCS/ PACK	说明 EXPLANATION
	American	Metric d2	B	F	L	E	D	d1	A	T		
FSNB1.25-3	#4	3.2	7.5	5.1	14.2	4.8	3.4	1.8	1.5	0.7	1000	导线截面:0.5~1.5mm ² (美国线规22~16) 最大电流: I _{max} =19A 材质:紫铜 Lead Section:0.5~1.5mm ² (A.W. G.22~16) Max Current:I _{max} =19A Material:Copper
FSNB1.25-3.5	#6	3.7										
FSNB1.25-4	#8	4.3										
FSNB1.25-5	#10	5.3										
FSNB2-3.5	#6	3.7	7.5	5.2	15.9	5.0	4.0	2.3	1.5	0.8	1000	导线截面:1.5~2.5mm ² (美国线规16~14) 最大电流: I _{max} =27A 材质:紫铜 Lead Section:1.5~2.5mm ² (A.W. G.16~14) Max Current:I _{max} =27A Material:Copper
FSNB2-4	#8	4.3										
FSNB2-5	#10	5.3										
FSNB5.5-3.5	#6	3.7	8.5	7.5	20.0	6.2	5.5	3.4	1.5	1.0	1000	导线截面:4~6mm ² (美国线规12~10) 最大电流: I _{max} =48A 材质:紫铜 Lead Section:4~6mm ² (A.W. G.12~10) Max Current:I _{max} =48A Material:Copper
FSNB5.5-4	#8	4.3										
FSNB5.5-5	#10	5.3										

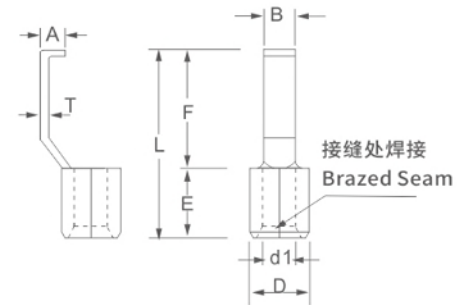
裸端子系列
Non-Insulated
Terminal Series

钩形裸端子 Non-Insulated Hook Terminal


 裸端子系列
Non-Insulated Terminal Series

型号 ITEM NO.	STUD SIZE 美制螺栓号 螺栓口直径		尺寸 DIMENSION mm							包装 PCS/ PACK	说明 EXPLANATION
	American	Metric d2	B	F	L	E	D	d1	T		
HNB1.25-3.5	#6	3.7	8.0	7.0	15.8	4.8	3.4	5.7	0.7	1000	导线截面:0.5~1.5mm ² (美国线规22~16) 最大电流: I _{max} =19A 材质:紫铜 Lead Section:0.5~1.5mm ² (A.W. G.22~16) Max Current:I _{max} =19A Material:Copper
HNB1.25-4	#8	4.3									
HNB1.25-5	#10	5.3									
HNB1.25-6	1/4	6.5	11.6	11.0	21.8						
HNB2-3.5	#6	3.7	8.5	7.4	16.8	4.8	4.1	2.3	0.8	1000	导线截面:1.5~2.5mm ² (美国线规16~14) 最大电流: I _{max} =27A 材质:紫铜 Lead Section:1.5~2.5mm ² (A.W. G.16~14) Max Current:I _{max} =27A Material:Copper
HNB2-4	#8	4.3									
HNB2-5	#10	5.3									
HNB2-6	1/4	6.5									
HNB5.5-3.5	#6	3.7	9.5	9.5	19.8	6.0	5.6	3.4	1.0	1000	导线截面:4~6mm ² (美国线规12~10) 最大电流: I _{max} =48A 材质:紫铜 Lead Section:4~6mm ² (A.W. G.12~10) Max Current:I _{max} =48A Material:Copper
HNB5.5-4	#8	4.3									
HNB5.5-5	#10	5.3									
HNB5.5-6	1/4	6.5									
HNB5.5-8	5/16	8.5									

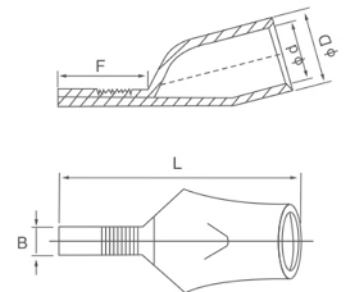
凹形裸端子
Non-Insulated
Convex Blade Terminal



型号 ITEM NO.	尺寸 DIMENSION mm								包装 PCS/ PACK	说明 EXPLANATION
	B	F	L	E	D	d1	T	A		
LBN1.25-3	3.0	17.0	22.0	4.8	3.1	1.7	0.7	2.1	1000	导线截面:0.5~1.5mm ² (美国线规22~16) 最大电流: I _{max} =19A 材质:紫铜 Lead Section:0.5~1.5mm ² (A.W. G.22~16) Max Current:I _{max} =19A Material:Copper
LBN1.25-4.6	4.6									
LBN2-3	3.0	17.0	22.0	4.8	4.1	2.3	0.8	2.1	1000	导线截面:1.5~2.5mm ² (美国线规16~14) 最大电流: I _{max} =27A 材质:紫铜 Lead Section:1.5~2.5mm ² (A.W. G.16~14) Max Current:I _{max} =27A Material:Copper
LBN2-4.6	4.6									
LBN5.5-3	3.0	17.5	23.2	6.0	5.6	3.4	1.0	2.75	1000	导线截面:4~6mm ² (美国线规12~10) 最大电流: I _{max} =48A 材质:紫铜 Lead Section:4~6mm ² (A.W. G.12~10) Max Current:I _{max} =48A Material:Copper
LBN5.5-4.6	4.6									

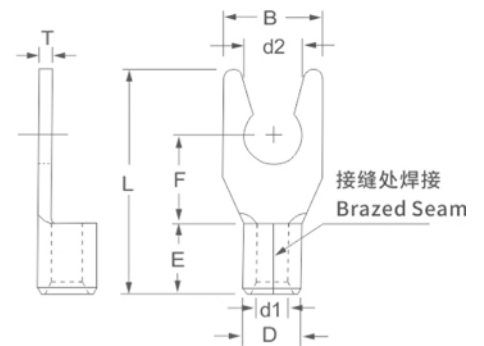
裸端子系列
Non-Insulated
Terminal Series

(C45N) 铜管端子
C45N Cable Lug



型号 ITEM NO.	尺寸 DIMENSION mm					包装 PCS/ PACK
	B	F	L	D	d1	
C45-1.5	4.7	10.0	22.0	3.5	2.1	1000
C45-2	5.5	10.0	22.0	4.0	2.6	1000
C45-4	6.7	10.0	22.0	4.8	3.4	500
C45-6	7.0	10.0	27.0	6.0	4.0	500
C45-10	7.0	13.0	33.0	6.7	5.1	500
C45-16	7.0	13.0	36.0	8.0	6.0	200
C45-25	7.0	13.0	37.0	9.0	7.0	200
C45-35	7.0	13.0	39.0	10.5	8.2	200
C45-50	7.0	13.0	43.5	12.4	9.8	100
C45-70	7.0	13.0	47.0	14.7	11.9	100
C45-95	7.0	18.0	50.0	17.0	13.4	100

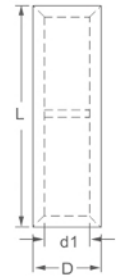
锁扣形裸端子
Non-Insulated
Lock Fork Terminal



Non-Insulated
Terminal Series
裸端子系列

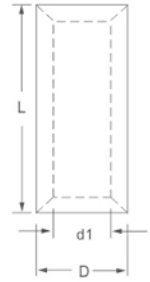
型号 ITEM NO.	STUD SIZE 美制螺栓号 螺栓口直径		尺寸 DIMENSION mm							包装 PCS/ PACK	说明 EXPLANATION
	American	Metric d2	B	F	L	E	D	d1	T		
LSNB1.25-3.5	#6	3.7	6.4	6.5	16.0	4.8	3.4	1.7	0.7	1000	导线截面:0.5~1.5mm ² (美国线规22~16) 最大电流: I _{max} =19A 材质:紫铜 Lead Section:0.5~1.5mm ² (A.W. G.22~16) Max Current:I _{max} =19A Material:Copper
LSNB1.25-4S	#8	4.3	7.2								
LSNB1.25-4L	#8	4.3	8.1								
LSNB1.25-5S	#10	5.3									
LSNB1.25-5L	#10	5.3	9.5								
LSNB2-3.5S	#6	3.7	6.0	6.5	16.0	4.8	4.1	2.3	0.8	1000	导线截面:1.5~2.5mm ² (美国线规16~14) 最大电流: I _{max} =27A 材质:紫铜 Lead Section:1.5~2.5mm ² (A.W. G.16~14) Max Current:I _{max} =27A Material:Copper
LSNB2-4S	#8	4.3	7.2								
LSNB2-4L	#8	4.3	8.1								
LSNB2-5S	#10	5.3									
LSNB2-5L	#10	5.3	9.3								
LSNB5.5-3.5	#6	3.7	8.3	7.0	18.2	6.0	5.6	3.4	1.0	500	导线截面:4~6mm ² (美国线规12~10) 最大电流: I _{max} =48A 材质:紫铜 Lead Section:4~6mm ² (A.W. G.12~10) Max Current:I _{max} =48A Material:Copper
LSNB5.5-4	#8	4.3									
LSNB5.5-5	#10	5.3	9.0								
LSNB5.5-6	1/4	6.5	12.0	12.0	24.5						

中间裸接头 (长形)
Non-Insulated
Long Butt Connector



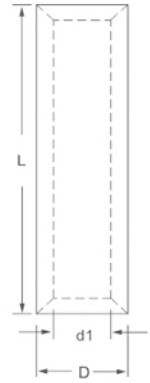
型号 ITEM NO.	导线面积 WIRE SECTION		尺寸 DIMENSION mm			最大电流 MAX CURRENT	包装 PCS/ PACK
	A. W. G	mm ²	L	D	d1		
BN0.5	26-22	0.2-0.5	12.0	2.1	1.3	10A	1000
BN1.25	22-16	0.5-1.5	15.0	3.3	1.7	19A	1000
BN2	16-14	1.5-2.5	15.0	3.9	2.3	27A	1000
BN3.5	14-12	2.5-4	15.0	5.0	3.0	37A	1000
BN5.5	12-10	4-6	15.0	5.4	3.4	48A	1000
BN8	8	8	21.0	7.0	4.6	62A	500
BN14	6	14	26.0	8.9	5.9	88A	500
BN22	4	22	29.0	11.3	7.8	115A	200
BN38	2	38	32.0	13.2	9.5	160A	200
BN60	1/0	60	36.0	15.3	11.4	215A	100
BN70	2/0	70	37.0	17.5	13.3	235A	100
BN80	3/0	80	38.0	19.5	14.5	255A	50
BN100	4/0	100	38.0	22.1	16.4	300A	50
BN150	250/300	150	54.0	26.4	19.5	395A	20
BN180	300/350	180	57.0	28.5	21.0	440A	10
BN200	400/500	200	63.0	32.4	24.0	470A	10
BN325	500/600	325	72.0	37.0	28.0	650A	5

中间裸接头 (短形)
Non-Insulated
Short Butt Connector



型号 ITEM NO.	导线面积 WIRE SECTION		尺寸 DIMENSION mm			最大电流 MAX CURRENT	包装 PCS/ PACK
	A. W. G	mm ²	L	D	d1		
PNT0.5	26-22	0.2-0.5	5.0	2.1	1.3	10A	1000
PNT1.25	22-16	0.5-1.5	8.0	3.3	1.7	19A	1000
PNT2	16-14	1.5-2.5	8.0	3.9	2.3	27A	1000
PNT3.5	14-12	2.5-4	8.5	5.0	3.0	37A	1000
PNT5.5	12-10	4-6	8.5	5.4	3.4	48A	1000
PNT8	8	8	9.5	7.0	4.6	62A	500
PNT14	6	14	11.0	8.9	5.9	88A	500
PNT22	4	22	13.5	11.3	7.8	115A	200
PNT38	2	38	16.5	13.2	9.5	160A	200
PNT60	1/0	60	19.0	15.3	11.4	215A	100
PNT70	2/0	70	19.0	17.5	13.3	235A	100
PNT80	3/0	80	19.5	19.5	14.5	255A	50
PNT100	4/0	100	20.0	22.1	16.4	300A	50
PNT150	250/300	150	27.0	26.4	19.5	395A	20
PNT180	300/350	180	28.5	28.5	21.0	440A	10
PNT200	400/500	200	32.0	32.4	24.0	470A	10
PNT325	500/600	325	37.0	37.0	28.0	650A	5

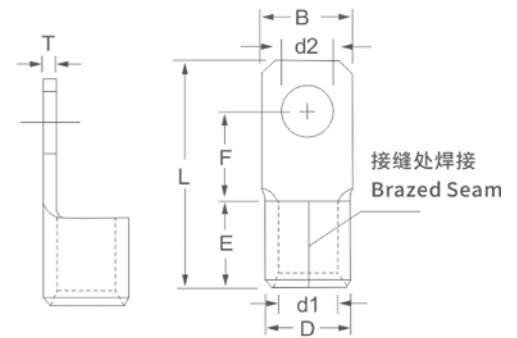
高压铜管端子
BL Cable Lug



型号 ITEM NO .	尺寸 DIMENSION mm				包装 PCS/ PACK
	L	D	d1	T	
BL-14	50.2	9.0	6.0	1.5	50
BL-22	52.6	11.5	8.3	1.6	50
BL-38	64.0	12.5	9.3	1.6	50
BL-60	70.0	14.0	10.4	1.8	20
BL-80	75.0	16.0	12.0	2.0	20
BL-100	75.0	18.0	14.0	2.0	20
BL-125	85.0	20.0	15.6	2.2	10
BL-150	94.7	22.0	17.0	2.5	10
BL-180	98.0	23.0	18.0	2.5	10
BL-200	104.5	26.0	20.0	3.0	5
BL-250	114.5	28.0	22.0	3.0	5
BL-325	120.0	32.0	25.0	3.5	5
BL-400	130.0	37.0	30.0	3.5	5
BL-500	135.0	42.0	34.0	4.0	5

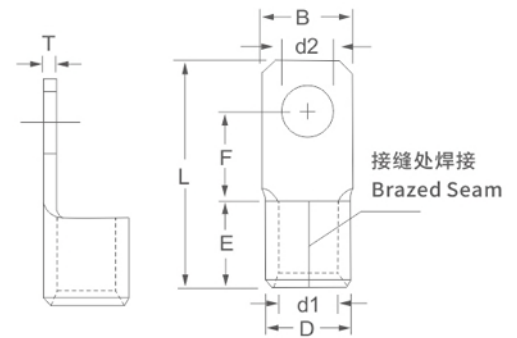
裸端子系列
Non-Insulated
Terminal Series

方形裸端子 Non-Insulated Square Terminal


 裸端子系列
Non-Insulated Terminal Series

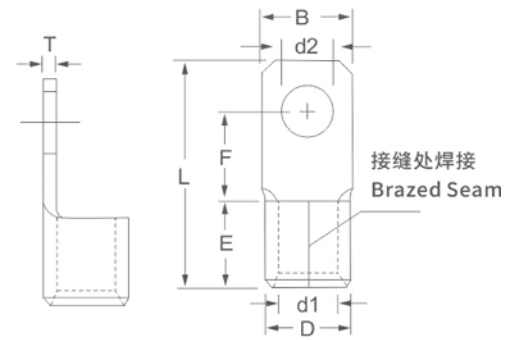
型号 ITEM NO.	STUD SIZE 美制螺栓号 螺栓口直径		尺寸 DIMENSION mm							包装 PCS/ PACK	说明 EXPLANATION	
	American	Metric d2	B	F	L	E	D	d1	T			
CB30-5	#10	5.3	15.0								200	导线截面:30mm ² (美国线规4) 最大电流: I _{max} =115A 材质:紫铜 Lead Section:30mm ² (A.W. G.4) Max Current:I _{max} =115A Material:Copper
CB30-5S	#10	5.3	13.6									
CB30-6	1/4	6.5	15.0									
CB30-6S	1/4	6.5	13.6	14.0	35.2	13.0	12.0	8.4	1.8			
CB30-8	5/16	8.5	15.0									
CB30-8S	5/16	8.5	13.6									
CB30-10	3/8	10.5	15.0									
CB38-5	#10	5.3	16.0	15.5	37.2					200	导线截面:38mm ² (美国线规2) 最大电流: I _{max} =160A 材质:紫铜 Lead Section:38mm ² (A.W. G.2) Max Current:I _{max} =160A Material:Copper	
CB38-5S	#10	5.3	13.5	15.0	35.2							
CB38-6	1/4	6.5	16.0	15.5	37.2							
CB38-6S	1/4	6.5	13.5	15.0	35.2	13.3	13.5	9.8	1.8			
CB38-8	5/16	8.5	16.0	15.5	37.2							
CB38-8S	5/16	8.5	13.5	15.0	35.2							
CB38-10	3/8	10.5	16.0	15.5	37.2							
CB50-6	1/4	6.5								100	导线截面:50mm ² (美国线规1) 最大电流: I _{max} =190A 材质:紫铜 Lead Section:50mm ² (A.W. G.1) Max Current:I _{max} =190A Material:Copper	
CB50-8	5/16	8.5	16.2	18.0	43.4	16.0	14.0	10.4	1.8			
CB50-10	3/8	10.5										
CB50-12	1/2	13.0	18.2									
CB60-6	1/4	6.5								100	导线截面:60mm ² (美国线规1/0) 最大电流: I _{max} =215A 材质:紫铜 Lead Section:60mm ² (A.W. G.1/0) Max Current:I _{max} =215A Material:Copper	
CB60-8	5/16	8.5	16.0	19.5	45.8	18.2	15.5	11.5	2.0			
CB60-10	3/8	10.5										
CB60-12	1/2	13.0	18.0	18.5								

方形裸端子 Non-Insulated Square Terminal



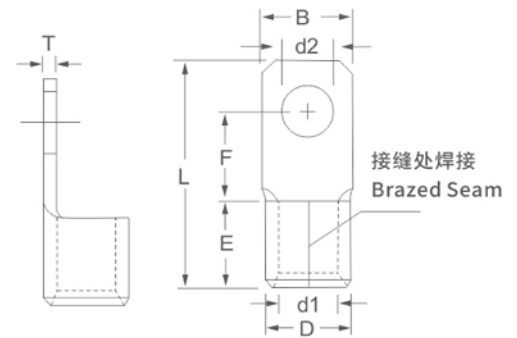
型号 ITEM NO.	STUD SIZE 美制螺栓号 螺栓口直径		尺寸 DIMENSION mm							包装 PCS/ PACK	说明 EXPLANATION
	American	Metric d2	B	F	L	E	D	d1	T		
CB70-6	1/4	6.5	19.0	18.5	47.5	19.0	17.5	13.5	2.0	100	导线截面:70mm ² (美国线规2/0) 最大电流: I _{max} =235A 材质:紫铜
CB70-8	5/16	8.5									
CB70-10	3/8	10.5									
CB70-12	1/2	13.0									
CB80-6	1/4	6.5	21.1	18.5	48.8	19.2	19.5	14.8	2.3	50	导线截面:95mm ² (美国线规3/0) 最大电流: I _{max} =255A 材质:紫铜
CB80-8	5/16	8.5									
CB80-10	3/8	10.5									
CB80-12	1/2	13.0									
CB80-14	9/16	15.0									
CB100-6	1/4	6.5	22.2	20.0	52.6	21.0	22.5	17.0	2.6	50	导线截面:120mm ² (美国线规4/0) 最大电流: I _{max} =300A 材质:紫铜
CB100-8	5/16	8.5									
CB100-10	3/8	10.5									
CB100-12	1/2	13.0									
CB100-14	9/16	15.0									
CB125-6	1/4	6.5	22.0	21.0	54.8	22.6	24.0	17.8	3.0	50	导线截面:125mm ² (美国线规4/0) 最大电流: I _{max} =325A 材质:紫铜
CB125-8	5/16	8.5									
CB125-10	3/8	10.5									
CB125-12	1/2	13.0									
CB125-14	9/16	15.0									

方形裸端子 Non-Insulated Square Terminal


 裸端子系列
Non-Insulated Terminal Series

型号 ITEM NO.	STUD SIZE 美制螺栓号 螺栓口直径		尺寸 DIMENSION mm							包装 PCS/ PACK	说明 EXPLANATION
	American	Metric d2	B	F	L	E	D	d1	T		
CB150-8	5/16	8.5	27.2	21.0	61.2	26.7	26.5	20.0	3.2	25	导线截面:150mm ² (美国线规250/300) 最大电流: I _{max} =395A 材质:紫铜
CB150-8S	5/16	8.5	22.7	23.0							
CB150-10	3/8	10.5	27.2	21.0							
CB150-10S	3/8	10.5	22.7	23.0							
CB150-12	1/2	13.0	27.2	21.0							
CB150-12S	1/2	13.0	22.7	23.0							
CB150-14	9/16	15.0	27.2	21.0							
CB150-14S	9/16	15.0	22.7	23.0							
CB150-16	5/8	17.0	27.2	21.0							
CB150-18	11/16	19.0	27.2	21.0							
CB180-8	5/16	8.5	28.6	22.0	64.0	28.7	28.8	21.8	3.5	20	导线截面:185mm ² (美国线规300/350) 最大电流: I _{max} =440A 材质:紫铜
CB180-10	3/8	10.5									
CB180-12	1/2	13.0									
CB180-14	9/16	15.0									
CB180-16	5/8	17.0									
CB180-18	11/16	19.0									
											Lead Section:185mm ² (A.W. G.300/350) Max Current:I _{max} =440A Material:Copper

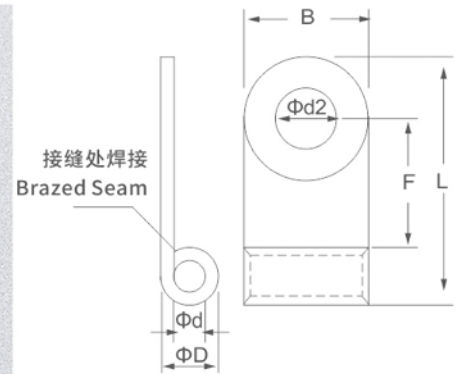
方形裸端子 Non-Insulated Square Terminal



型号 ITEM NO.	STUD SIZE 美制螺栓号 螺栓口直径		尺寸 DIMENSION mm							包装 PCS/ PACK	说明 EXPLANATION
	American	Metric d2	B	F	L	E	D	d1	T		
CB200-8	5/16	8.5	33.1	22.0	70.2	31.8	32.3	24.1	4.0	10	导线截面:240mm ² (美国线规400/500) 最大电流: I _{max} =470A 材质:紫铜 Lead Section:240mm ² (A.W. G.400/500) Max Current:I _{max} =470A Material:Copper
CB200-10	3/8	10.5									
CB200-12	1/2	13.0									
CB200-14	9/16	15.0									
CB200-16	5/8	17.0									
CB200-18	11/16	19.0									
CB200-20	3/4	21.0									
CB200-22	7/8	23.0									
CB200-24	15/16	25.0									
CB325-8	5/16	8.5	37.0	31.0	84.2	34.6	37.7	28.5	4.5	5	导线截面:400mm ² (美国线规500/600) 最大电流: I _{max} =650A 材质:紫铜 Lead Section:400mm ² (A.W. G.500/600) Max Current:I _{max} =650A Material:Copper
CB325-10	3/8	10.5									
CB325-12	1/2	13.0									
CB325-14	9/16	15.0									
CB325-16	5/8	17.0									
CB325-18	11/16	19.0									
CB325-20	3/4	21.0									
CB325-22	7/8	23.0									
CB325-24	15/16	25.0									

裸端子系列
Non-Insulated
Terminal Series

旗形裸端子 Non-Insulated Flag Terminal



型号 ITEM NO.	STUD SIZE 美制螺栓号 螺栓口直径		尺寸 DIMENSION mm						包装 PCS/ PACK	说明 EXPLANATION
	American	Metric d2	B	F	L	D	d1	T		
FGNB1-5	#10	5.3	9.6	8.0	16.3	3.3	1.7	0.7	1000	最大电流: I _{max} =19A 材质:紫铜 Max Current: I _{max} =19A Material: Copper
FGNB1-6	1/4	6.5								
FGNB2-5	#10	5.3	9.6	7.3	16.3	4.0	2.3	0.8	1000	最大电流: I _{max} =27A 材质:紫铜 Max Current: I _{max} =27A Material: Copper
FGNB2-6	1/4	6.5								
FGNB5-4	#8	4.3	9.6	7.4	17.8	5.5	3.4	1.0	1000	最大电流: I _{max} =48A 材质:紫铜 Max Current: I _{max} =48A Material: Copper
FGNB5-5	#10	5.3								
FGNB5-6	1/4	6.5								
FGNB8-5	#10	5.3	12.7	9.1	23.0	7.2	4.5	1.2	500	最大电流: I _{max} =62A 材质:紫铜 Max Current: I _{max} =62A Material: Copper
FGNB8-6	1/4	6.5								
FGNB8-8	5/16	8.5								
FGNB14-6	1/4	6.5	12.7	9.6	24.9	9.0	5.8	1.5	200	最大电流: I _{max} =88A 材质:紫铜 Max Current: I _{max} =88A Material: Copper
FGNB14-8	5/16	8.5								
FGNB22-6	1/4	6.5	14.0	9.7	28.2	11.5	7.7	1.8	200	最大电流: I _{max} =115A 材质:紫铜 Max Current: I _{max} =115A Material: Copper
FGNB22-8	5/16	8.5								
FGNB38-6	1/4	6.5	18.3	13.6	36.1	13.3	9.4	1.8	100	最大电流: I _{max} =160A 材质:紫铜 Max Current: I _{max} =160A Material: Copper
FGNB38-8	5/16	8.5								
FGNB38-10	3/8	10.5								
FGNB60-8	5/16	8.5	22.3	17.3	44.0	15.2	11.4	1.8	100	最大电流: I _{max} =215A 材质:紫铜 Max Current: I _{max} =215A Material: Copper
FGNB60-10	3/8	10.5								
FGNB60-12	1/2	13.0								
FGNB70-8	5/16	8.5	23.9	17.3	46.7	17.5	13.1	2.0	50	最大电流: I _{max} =235A 材质:紫铜 Max Current: I _{max} =235A Material: Copper
FGNB70-10	3/8	10.5								
FGNB70-12	1/2	13.0								
FGNB80-10	3/8	10.5	27.0	17.8	50.8	19.5	14.5	2.3	50	最大电流: I _{max} =255A 材质:紫铜 Max Current: I _{max} =255A Material: Copper
FGNB80-12	1/2	13.0								

Non-Insulated
Terminal Series
裸端子系列



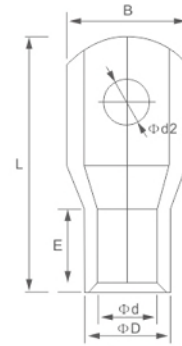
铜管端子系列

SC Cable Lug Series



铜管端子系列
SC Cable Lug Series

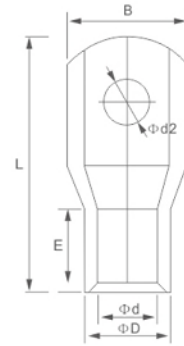
铜管端子
SC Cable Lug



型号 ITEM NO.	STUD SIZE 美制螺栓号 螺栓口直径		尺寸 DIMENSION mm						包装 PCS/ PACK					
	American	Metric d2	B	L	E	D	d1	T						
SC1.5-4	#8	4.3	7.5	18.0	5.0	3.5	2.1	0.7	1000					
SC1.5-5	#10	5.3												
SC1.5-6	1/4	6.5												
SC2.5-4	#8	4.3	7.5	20.0	7.0	4.0	2.6	0.7	1000					
SC2.5-5	#10	5.3												
SC2.5-6	1/4	6.5												
SC4-4	#8	4.3	10.2	20.4	8.0	4.8	3.4	0.7	1000					
SC4-5	#10	5.3												
SC4-6	1/4	6.5												
SC4-8	5/16	8.5	12.5	23.0										
SC6-4	#8	4.3	11.0	24.5	10.0	5.5	3.9	0.8	1000					
SC6-5	#10	5.3												
SC6-6	1/4	6.5												
SC6-8	5/16	8.5					11.8	26.4						
SC6-10	3/8	10.5	15.0	28.0		6.2	4.0							
SC10-4	#8	4.3	12.0	25.2	10.0	6.5	4.9	0.8	500					
SC10-5	#10	5.3												
SC10-6	1/4	6.5												
SC10-8	5/16	8.5								12.2	27.3			
SC10-10	3/8	10.5								15.0	29.0			

SC Cable Lug Series

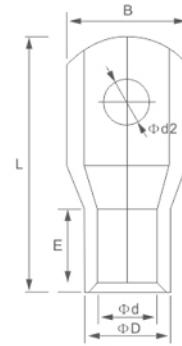
铜管端子
SC Cable Lug



型号 ITEM NO.	STUD SIZE 美制螺栓号 螺栓口直径		尺寸 DIMENSION mm						包装 PCS/ PACK
	American	Metric d2	B	L	E	D	d1	T	
SC16-4	#8	4.3	12.3	30.0	11.5	7.5	5.7	0.9	500
SC16-5	#10	5.3							
SC16-6	1/4	6.5							
SC16-8	5/16	8.5							
SC16-10	3/8	10.5	15.0	33.0	11.5	7.5	5.7	0.9	500
SC16-12	1/2	13.0	17.0						
SC25-4	#8	4.3	13.3	32.8	11.6	9.0	7.2	0.9	200
SC25-5	#10	5.3							
SC25-6	1/4	6.5							
SC25-8	5/16	8.5							
SC25-10	3/8	10.5	15.0	34.6	11.6	9.5	7.5	0.9	200
SC25-12	1/2	13.0	18.0						
SC25-14	9/16	15.0	20.0						
SC35-5	#10	5.3	15.3	37.8	14.0	10.5	8.3	1.1	200
SC35-6	1/4	6.5							
SC35-8	5/16	8.5							
SC35-10	3/8	10.5							
SC35-12	1/2	13.0							
SC35-14	9/16	15.0							

铜管端子系列
SC Cable Lug Series

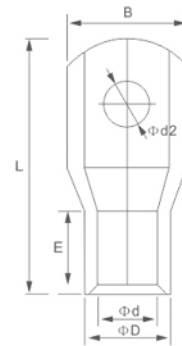
铜管端子
SC Cable Lug



型号 ITEM NO.	STUD SIZE 美制螺栓号 螺栓口直径		尺寸 DIMENSION mm						包装 PCS/ PACK
	American	Metric d2	B	L	E	D	d1	T	
SC50-6	1/4	6.5	18.3	45.0	16.0	12.5	9.9	1.3	100
SC50-8	5/16	8.5							
SC50-10	3/8	10.5							
SC50-12	1/2	13.0							
SC50-14	9/16	15.0	22.0	46.0	19.0	15.0	11.8	1.6	100
SC50-16	5/8	17.0	24.0	47.0					
SC70-6	1/4	6.5	21.8	51.0					
SC70-8	5/16	8.5							
SC70-10	3/8	10.5							
SC70-12	1/2	13.0							
SC70-14	9/16	15.0							
SC70-16	5/8	17.0	25.0	53.0	23.0	17.4	13.6	1.9	50
SC95-6	1/4	6.5	25.0	58.0					
SC95-8	5/16	8.5							
SC95-10	3/8	10.5							
SC95-12	1/2	13.0							
SC95-14	9/16	15.0							
SC95-16	5/8	17.0							

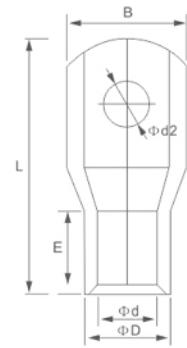
SC Cable Lug Series

铜管端子
SC Cable Lug



型号 ITEM NO.	STUD SIZE 美制螺栓号 螺栓口直径		尺寸 DIMENSION mm						包装 PCS/ PACK
	American	Metric d2	B	L	E	D	d1	T	
SC120-6	1/4	6.5	28.0	63.0	22.0	19.4	15.2	2.1	50
SC120-8	5/16	8.5							
SC120-10	3/8	10.5							
SC120-12	1/2	13.0							
SC120-14	9/16	15.0							
SC120-16	5/8	17.0							
SC120-20	3/4	21.0							
SC150-8	5/16	8.5	30.4	70.0	26.0	21.2	16.6	2.3	20
SC150-10	3/8	10.5							
SC150-12	1/2	13.0							
SC150-14	9/16	15.0							
SC150-16	5/8	17.0							
SC150-20	3/4	21.0							
SC185-10	3/8	10.5	34.0	75.0	32.0	23.5	18.7	2.4	20
SC185-12	1/2	13.0							
SC185-14	9/16	15.0							
SC185-16	5/8	17.0							
SC185-20	3/4	21.0							

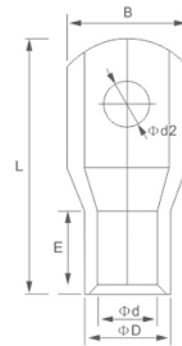
铜管端子
SC Cable Lug



型号 ITEM NO.	STUD SIZE 美制螺栓号 螺栓口直径		尺寸 DIMENSION mm						包装 PCS/ PACK
	American	Metric d2	B	L	E	D	d1	T	
SC240-10	3/8	10.5	38.0	90.0	38.0	26.5	21.3	2.6	10
SC240-12	1/2	13.0							
SC240-14	9/16	15.0							
SC240-16	5/8	17.0							
SC240-20	3/4	21.0							
SC300-10	3/8	10.5	43.5	98.0	42.0	30.0	24.0	3.0	5
SC300-12	1/2	13.0							
SC300-14	9/16	15.0							
SC300-16	5/8	17.0							
SC300-20	3/4	21.0							
SC400-10	3/8	10.5	52.0	110.0	44.0	36.5	28.5	4.0	2
SC400-12	1/2	13.0							
SC400-14	9/16	15.0							
SC400-16	5/8	17.0							
SC400-20	3/4	21.0							
SC500-10	3/8	10.5	56.0	120.0	48.0	39.0	30.0	4.5	2
SC500-12	1/2	13.0							
SC500-14	9/16	15.0							
SC500-16	5/8	17.0							
SC500-20	3/4	21.0							
SC630-10	3/8	10.5	65.0	140.0	56.0	45.0	35.0	5.0	2
SC630-12	1/2	13.0							
SC630-14	9/16	15.0							
SC630-16	5/8	17.0							
SC630-20	3/4	21.0							

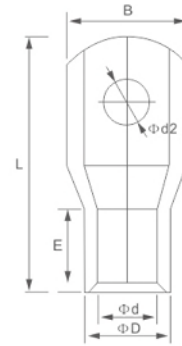
SC Cable Lug Series
铜管端子系列

铜管端子 (无孔)
SC-N Cable Lug



型号 ITEM NO.	STUD SIZE 美制螺栓号 螺栓口直径		尺寸 DIMENSION mm						包装 PCS/ PACK
	American	Metric d2	B	L	E	D	d1	T	
SC1.5-4N	#8	4.3	7.5	18.0	5.0	3.5	2.1	0.7	1000
SC1.5-5N	#10	5.3							
SC1.5-6N	1/4	6.5							
SC2.5-4N	#8	4.3	7.5	20.0	7.0	4.0	2.6	0.7	1000
SC2.5-5N	#10	5.3							
SC2.5-6N	1/4	6.5							
SC4-4N	#8	4.3	10.2	20.4	8.0	4.8	3.4	0.7	1000
SC4-5N	#10	5.3							
SC4-6N	1/4	6.5							
SC4-8N	5/16	8.5							
SC6-4N	#8	4.3	11.0	24.5	10.0	5.5	3.9	0.8	1000
SC6-5N	#10	5.3							
SC6-6N	1/4	6.5							
SC6-8N	5/16	8.5							
SC6-10N	3/8	10.5					15.0	28.0	
SC10-4N	#8	4.3	12.0	25.2	10.0	6.5	4.9	0.8	500
SC10-5N	#10	5.3							
SC10-6N	1/4	6.5							
SC10-8N	5/16	8.5							
SC10-10N	3/8	10.5							

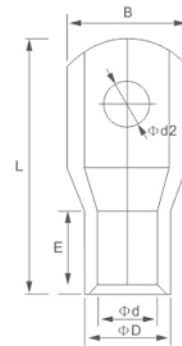
铜管端子 (无孔)
SC-N Cable Lug



型号 ITEM NO .	STUD SIZE 美制螺栓号 螺栓口直径		尺寸 DIMENSION mm						包装 PCS/ PACK					
	American	Metric d2	B	L	E	D	d1	T						
SC16-4N	#8	4.3	12.3	30.0	11.5	7.5	5.7	0.9	500					
SC16-5N	#10	5.3												
SC16-6N	1/4	6.5												
SC16-8N	5/16	8.5												
SC16-10N	3/8	10.5	15.0	33.0	11.5	7.5	5.7	0.9	500					
SC16-12N	1/2	13.0	17.0											
SC25-4N	#8	4.3	13.3	32.8						11.6	9.0	7.2	0.9	200
SC25-5N	#10	5.3												
SC25-6N	1/4	6.5												
SC25-8N	5/16	8.5												
SC25-10N	3/8	10.5	15.0	34.6	11.6	9.5	7.5	0.9	200					
SC25-12N	1/2	13.0	18.0	35.0										
SC25-14N	9/16	15.0	20.0	38.0										
SC35-5N	#10	5.3	15.3	37.8	14.0	10.5	8.3	1.1	200					
SC35-6N	1/4	6.5												
SC35-8N	5/16	8.5												
SC35-10N	3/8	10.5												
SC35-12N	1/2	13.0	19.0	40.0	14.0	10.5	8.3	1.1	200					
SC35-14N	9/16	15.0	20.0	42.0										

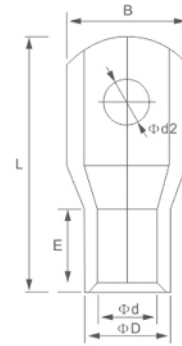
SC Cable Lug Series
铜管端子系列

铜管端子 (无孔)
SC-N Cable Lug



型号 ITEM NO .	STUD SIZE 美制螺栓号 螺栓口直径		尺寸 DIMENSION mm						包装 PCS/ PACK
	American	Metric d2	B	L	E	D	d1	T	
SC50-6N	1/4	6.5	18.3	45.0	16.0	12.5	9.9	1.3	100
SC50-8N	5/16	8.5							
SC50-10N	3/8	10.5							
SC50-12N	1/2	13.0							
SC50-14N	9/16	15.0	22.0	46.0	19.0	15.0	11.8	1.6	100
SC50-16N	5/8	17.0	24.0	47.0					
SC70-6N	1/4	6.5	21.8	51.0					
SC70-8N	5/16	8.5							
SC70-10N	3/8	10.5							
SC70-12N	1/2	13.0							
SC70-14N	9/16	15.0							
SC70-16N	5/8	17.0	25.0	53.0	23.0	17.4	13.6	1.9	50
SC95-6N	1/4	6.5	25.0	58.0					
SC95-8N	5/16	8.5							
SC95-10N	3/8	10.5							
SC95-12N	1/2	13.0							
SC95-14N	9/16	15.0							
SC95-16N	5/8	17.0							

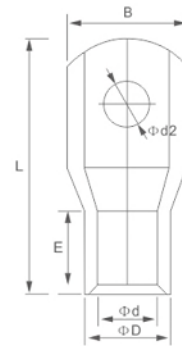
铜管端子 (无孔)
SC-N Cable Lug



型号 ITEM NO .	STUD SIZE 美制螺栓号 螺栓口直径		尺寸 DIMENSION mm						包装 PCS/ PACK
	American	Metric d2	B	L	E	D	d1	T	
SC120-6N	1/4	6.5	28.0	63.0	22.0	19.4	15.2	2.1	50
SC120-8N	5/16	8.5							
SC120-10N	3/8	10.5							
SC120-12N	1/2	13.0							
SC120-14N	9/16	15.0							
SC120-16N	5/8	17.0							
SC120-20N	3/4	21.0							
SC150-8N	5/16	8.5	30.4	70.0	26.0	21.2	16.6	2.3	20
SC150-10N	3/8	10.5							
SC150-12N	1/2	13.0							
SC150-14N	9/16	15.0							
SC150-16N	5/8	17.0							
SC150-20N	3/4	21.0							
SC185-10N	3/8	10.5	34.0	75.0	32.0	23.5	18.7	2.4	20
SC185-12N	1/2	13.0							
SC185-14N	9/16	15.0							
SC185-16N	5/8	17.0							
SC185-20N	3/4	21.0							

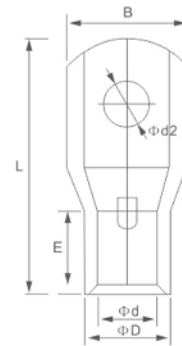
SC Cable Lug Series

铜管端子 (无孔)
SC-N Cable Lug



型号 ITEM NO.	STUD SIZE 美制螺栓号 螺栓口直径		尺寸 DIMENSION mm						包装 PCS/ PACK
	American	Metric d2	B	L	E	D	d1	T	
SC240-10N	3/8	10.5	38.0	90.0	38.0	26.5	21.3	2.6	10
SC240-12N	1/2	13.0							
SC240-14N	9/16	15.0							
SC240-16N	5/8	17.0							
SC240-20N	3/4	21.0							
SC300-10N	3/8	10.5	43.5	98.0	42.0	30.0	24.0	3.0	5
SC300-12N	1/2	13.0							
SC300-14N	9/16	15.0							
SC300-16N	5/8	17.0							
SC300-20N	3/4	21.0							
SC400-10N	3/8	10.5	52.0	110.0	44.0	36.5	28.5	4.0	2
SC400-12N	1/2	13.0							
SC400-14N	9/16	15.0							
SC400-16N	5/8	17.0							
SC400-20N	3/4	21.0							
SC500-10N	3/8	10.5	56.0	120.0	48.0	39.0	30.0	4.5	2
SC500-12N	1/2	13.0							
SC500-14N	9/16	15.0							
SC500-16N	5/8	17.0							
SC500-20N	3/4	21.0							
SC630-10N	3/8	10.5	65.0	140.0	56.0	45.0	35.0	5.0	2
SC630-12N	1/2	13.0							
SC630-14N	9/16	15.0							
SC630-16N	5/8	17.0							
SC630-20N	3/4	21.0							

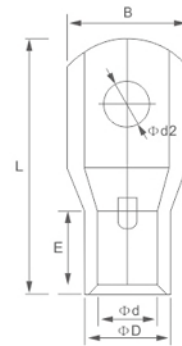
铜管端子 (T形)
T Cable Lug



型号 ITEM NO.	STUD SIZE 美制螺栓号 螺栓口直径		尺寸 DIMENSION mm						包装 PCS/ PACK
	American	Metric d2	B	L	E	D	d1	T	
T1.5-4	#8	4.3	8.7	19.0	7.0	4.0	2.4	0.8	1000
T1.5-5	#10	5.3							
T1.5-6	1/4	6.5							
T2.5-4	#8	4.3	8.7	19.0	7.0	4.3	2.7	0.8	1000
T2.5-5	#10	5.3							
T2.5-6	1/4	6.5							
T4-4	#8	4.3	8.7	21.5	9.5	4.8	3.1	0.85	1000
T4-5	#10	5.3							
T4-6	1/4	6.5							
T4-8	5/16	8.5	12.5	28.5	10.0	5.5	3.8	0.85	1000
T6-4	#8	4.3	10.3	26.0					
T6-5	#10	5.3							
T6-6	1/4	6.5							
T6-8	5/16	8.5	13.9	29.0	11.5	6.9	4.7	1.1	500
T6-10	3/8	10.5							
T10-4	#8	4.3	12.0	27.5					
T10-5	#10	5.3							
T10-6	1/4	6.5							
T10-8	5/16	8.5	13.5	30.5	11.5	6.9	4.7	1.1	500
T10-10	3/8	10.5	15.0						

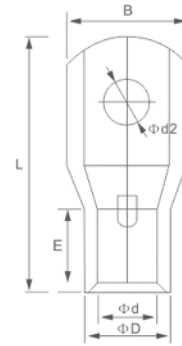
SC Cable Lug Series

铜管端子 (T形)
T Cable Lug



型号 ITEM NO.	STUD SIZE 美制螺栓号 螺栓口直径		尺寸 DIMENSION mm						包装 PCS/ PACK
	American	Metric d2	B	L	E	D	d1	T	
T16-4	#8	4.3	12.0	27.5	12.0	7.8	5.6	1.1	500
T16-5	#10	5.3							
T16-6	1/4	6.5							
T16-8	5/16	8.5							
T16-10	3/8	10.5							
T16-12	1/2	13.0							
T25-6	1/4	6.5	14.0	34.0	13.5	9.5	7.1	1.2	200
T25-8	5/16	8.5							
T25-10	3/8	10.5							
T25-12	1/2	13.0							
T35-6	1/4	6.5	16.5	39.0	16.0	11.0	8.2	1.4	200
T35-8	5/16	8.5							
T35-10	3/8	10.5							
T35-12	1/2	13.0							
T35-14	9/16	15.0							
T35-16	5/8	17.0							
T40-8	5/16	8.5	17.0	44.0	17.0	11.2	9.0	1.1	100
T40-10	3/8	10.5							
T40-12	1/2	13.0							

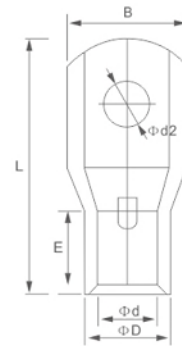
铜管端子 (T形)
T Cable Lug



型号 ITEM NO.	STUD SIZE 美制螺栓号 螺栓口直径		尺寸 DIMENSION mm						包装 PCS/ PACK	
	American	Metric d2	B	L	E	D	d1	T		
T50-6	1/4	6.5	18.0	45.0	20.0	12.5	9.5	1.5	100	
T50-8	5/16	8.5		49.0						
T50-10	3/8	10.5								
T50-12	1/2	13.0								
T50-14	9/16	15.0	22.0	54.0	23.0	14.0				
T50-16	5/8	17.0	25.0	62.0						
T50-20	3/4	21.0	28.0	68.0						
T70-8	5/16	8.5	22.0	47.6	20.0	15.0	11.5	1.75		50
T70-10	3/8	10.5		51.6						
T70-12	1/2	13.0								
T70-14	9/16	15.0								
T70-16	5/8	17.0	30.0	62.6						
T70-20	3/4	21.0								
T95-8	5/16	8.5						25.0	55.8	
T95-10	3/8	10.5								
T95-12	1/2	13.0								
T95-14	9/16	15.0	66.8							
T95-16	5/8	17.0								
T95-20	3/4	21.0		30.0						

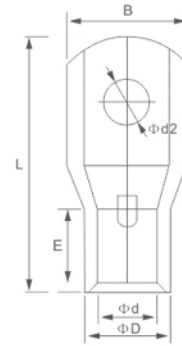
SC Cable Lug Series

铜管端子 (T形)
T Cable Lug



型号 ITEM NO.	STUD SIZE 美制螺栓号 螺栓口直径		尺寸 DIMENSION mm						包装 PCS/ PACK
	American	Metric d2	B	L	E	D	d1	T	
T120-10	3/8	10.5	29.0	71.5	27.0	20.0	15.6	2.2	50
T120-12	1/2	13.0							
T120-14	9/16	15.0							
T120-16	5/8	17.0							
T120-20	3/4	21.0							
T150-10	3/8	10.5	30.6	78.0	32.0	21.0	16.5	2.3	20
T150-12	1/2	13.0							
T150-14	9/16	15.0							
T150-16	5/8	17.0							
T150-20	3/4	21.0							
T185-10	3/8	10.5	34.7	81.6	31.0	24.0	19.0	2.5	20
T185-12	1/2	13.0							
T185-14	9/16	15.0							
T185-16	5/8	17.0							
T185-20	3/4	21.0							
T240-10	3/8	10.5	41.8	95.5	37.0	29.0	23.0	3.0	10
T240-12	1/2	13.0							
T240-14	9/16	15.0							
T240-16	5/8	17.0							
T240-20	3/4	21.0							

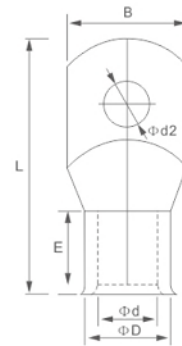
铜管端子 (T形)
T Cable Lug



型号 ITEM NO.	STUD SIZE 美制螺栓号 螺栓口直径		尺寸 DIMENSION mm						包装 PCS/ PACK
	American	Metric d2	B	L	E	D	d1	T	
T300-10	3/8	10.5	42.0	96.0	40.0	28.6	23.4	2.6	5
T300-12	1/2	13.0							
T300-14	9/16	15.0							
T300-16	5/8	17.0							
T300-20	3/4	21.0							
T400-10	3/8	10.5	51.2	104.7	37.0	36.0	27.0	4.5	2
T400-12	1/2	13.0							
T400-14	9/16	15.0							
T400-16	5/8	17.0							
T400-20	3/4	21.0							
T500-10	3/8	10.5	55.0	115.5	46.5	38.4	29.8	4.5	2
T500-12	1/2	13.0							
T500-14	9/16	15.0							
T500-16	5/8	17.0							
T500-20	3/4	21.0							
T630-10	3/8	10.5	64.0	133.0	50.0	44.6	34.6	5.0	2
T630-12	1/2	13.0							
T630-14	9/16	15.0							
T630-16	5/8	17.0							
T630-20	3/4	21.0							

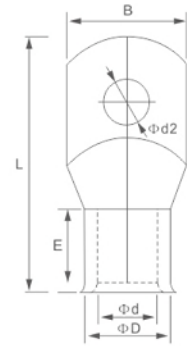
SC Cable Lug Series

美规铜管端子
AWG Cable Lug



编号 NO.	型号 ITEM NO.	螺栓口直径 Metric d2	尺寸 DIMENSION mm						包装 PCS/ PACK
			B	L	E	D	d1	T	
LXT001	8#10	5.1	11.8	33.3	13.0	7.1	4.8	1.1	500
LXT002	8*1/4	6.8							
LXT003	8*5/16	8.3							
LXT004	8*3/8	10.4							
LXT005	8*1/2	13.1							
LXT006	6*10	5.1	11.8	37.3	15.0	8.1	5.9	1.1	500
LXT007	6*1/4	6.8							
LXT008	6*5/16	8.3							
LXT009	6*3/8	10.4							
LXT010	6*1/2	13.1							
LXT011	4*1/4	6.8	13.8	38.9	15.5	9.5	7.3	1.1	200
LXT012	4*5/16	8.3							
LXT013	4*3/8	10.4							
LXT014	4*1/2	13.1							
LXT015	2*1/4	6.8	16.5	41.1	16.0	11.1	8.5	1.3	100
LXT016	2*5/16	8.3							
LXT017	2*3/8	10.4							
LXT018	2*1/2	13.1							

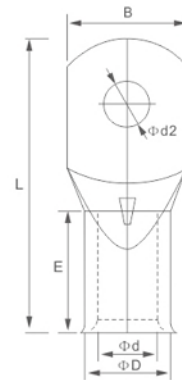
美规铜管端子
AWG Cable Lug



编号 NO.	型号 ITEM NO.	螺栓口直径 Metric d2	尺寸 DIMENSION mm						包装 PCS/ PACK
			B	L	E	D	d1	T	
LXT019	1*1/4	6.8	16.4	43.6	16.0	11.7	9.1	1.3	100
LXT020	1*5/16	8.3							
LXT021	1*3/8	10.4							
LXT022	1*1/2	13.1							
LXT023	1/0 1/4	6.8	18.4	46.8	19.0	13.0	10.4	1.3	50
LXT024	1/0 5/16	8.3							
LXT025	1/0 3/8	10.4							
LXT026	1/0 1/2	13.1							
LXT027	2/0 1/4	6.8	21.0	52.4	22.0	14.2	11.7	1.3	50
LXT028	2/0 5/16	8.3							
LXT029	2/0 3/8	10.4			21.0				
LXT030	2/0 1/2	13.1							
LXT031	3/0 5/16	8.3	23.1	55.9	22.5	15.7	13.0	1.35	50
LXT032	3/0 3/8	10.4							
LXT033	3/0 1/2	13.1							
LXT034	4/0 5/16	8.3	25.8	60.5	24.0	17.2	14.2	1.5	50
LXT035	4/0 3/8	10.4							
LXT036	4/0 1/2	13.1							

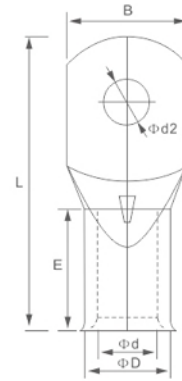
SC Cable Lug Series

铜管端子 (喇叭口)
LT Bell-Mouth Cable Lug



型号 ITEM NO.	STUD SIZE 美制螺栓号 螺栓口直径		尺寸 DIMENSION mm						包装 PCS/ PACK
	American	Metric d2	B	L	E	D	d1	T	
LT6-4	#8	4.3	10.0	23.0	9.0	5.5	3.9	0.8	1000
LT6-5	#10	5.3							
LT6-6	1/4	6.5							
LT6-8	5/16	8.5							
LT10-4	#8	4.3	10.2	26.0	9.5	6.2	4.6	0.8	500
LT10-5	#10	5.3							
LT10-6	1/4	6.5							
LT10-8	5/16	8.5							
LT10-10	3/8	10.5							
LT16-4	#8	4.3	11.2	32.0	13.5	7.2	5.4	0.9	500
LT16-5	#10	5.3							
LT16-6	1/4	6.5							
LT16-8	5/16	8.5							
LT16-10	3/8	10.5							
LT25-6	1/4	6.5	13.4	32.3	12.8	9.0	7.0	1.0	200
LT25-8	5/16	8.5							
LT25-10	3/8	10.5							
LT25-12	1/2	13.0							
LT35-6	1/4	6.5	15.0	32.2	12.0	10.2	8.0	1.1	200
LT35-8	5/16	8.5							
LT35-10	3/8	10.5							
LT35-12	1/2	13.0							
LT50-6	1/4	6.5	17.5	43.5	13.5	12.2	9.6	1.3	100
LT50-8	5/16	8.5							
LT50-10	3/8	10.5							
LT50-12	1/2	13.0							

铜管端子 (喇叭口)
LT Bell-Mouth Cable Lug



型号 ITEM NO.	STUD SIZE		尺寸 DIMENSION mm						包装 PCS/ PACK
	美制螺栓号	螺栓口直径	B	L	E	D	d1	T	
LT70-8	5/16	8.5	20.2	43.8	13.5	14.0	11.2	1.4	50
LT70-10	3/8	10.5							
LT70-12	1/2	13.0							
LT70-14	9/16	15.0							
LT95-8	5/16	8.5	23.5	47.5	15.5	15.9	12.9	1.5	50
LT95-10	3/8	10.5							
LT95-12	1/2	13.0							
LT95-14	9/16	15.0							
LT120-8	5/16	8.5	26.4	58.0	20.0	18.0	14.8	1.6	50
LT120-10	3/8	10.5							
LT120-12	1/2	13.0							
LT120-14	9/16	15.0							
LT150-8	5/16	8.5	29.5	62.0	22.0	19.9	16.5	1.7	20
LT150-10	3/8	10.5							
LT150-12	1/2	13.0							
LT150-14	9/16	15.0							
LT150-16	5/8	17.0							
LT185-10	3/8	10.5	32.6	64.5	23.0	22.0	18.3	1.9	20
LT18512	1/2	13.0							
LT185-14	9/16	15.0							
LT185-16	5/8	17.0							
LT240-10	3/8	10.5	38.0	77.3	28.0	26.0	21.8	2.1	10
LT240-12	1/2	13.0							
LT240-14	9/16	15.0							
LT240-16	5/8	17.0							
LT240-20	3/4	21.0							

SC Cable Lug Series

高压 (单孔)铜管端子 CL-H Cable Lug



型号 ITEM NO.	STUD SIZE 美制螺栓号 螺栓口直径		尺寸 DIMENSION mm						包装 PCS/ PACK
	American	Metric d2	B	L	E	D	d1	T	
CL14-H-4	#8	4.3	12.8	50.0	27.0	9.0	6.0	1.5	100
CL14-H-5	#10	5.3							
CL14-H-6	1/4	6.5							
CL14-H-8	5/16	8.5							
CL22-H-4	#8	4.3	16.4	51.8	27.3	11.5	8.3	1.6	100
CL22-H-5	#10	5.3							
CL22-H-6	1/4	6.5							
CL22-H-8	5/16	8.5							
CL22-H-10	3/8	10.5							
CL38-H-4	#8	4.3	18.0	64.5	33.0	12.5	9.3	1.6	100
CL38-H-5	#10	5.3							
CL38-H-6	1/4	6.5							
CL38-H-8	5/16	8.5							
CL38-H-10	3/8	10.5							
CL38-H-12	1/2	13.0							
CL60-H-5	#10	5.3	20.0	70.0	37.0	14.0	10.4	1.8	50
CL60-H-6	1/4	6.5							
CL60-H-8	5/16	8.5							
CL60-H-10	3/8	10.5							
CL60-H-12	1/2	13.0							

高压 (单孔)铜管端子 CL-H Cable Lug



型号 ITEM NO.	STUD SIZE 美制螺栓号 螺栓口直径		尺寸 DIMENSION mm						包装 PCS/ PACK
	American	Metric d2	B	L	E	D	d1	T	
CL80-H-5	#10	5.3	22.7	75.0	37.5	16.0	12.0	2.0	50
CL80-H-6	1/4	6.5							
CL80-H-8	5/16	8.5							
CL80-H-10	3/8	10.5							
CL80-H-12	1/2	13.0							
CL100-H-5	#10	5.3	26.0	75.0	38.0	18.0	14.0	2.0	20
CL100-H-6	1/4	6.5							
CL100-H-8	5/16	8.5							
CL100-H-10	3/8	10.5							
CL100-H-12	1/2	13.0							
CL100-H-14	9/16	15.0							
CL125-H-6	1/4	6.5	29.2	85.0	41.0	20.0	15.6	2.2	20
CL125-H-8	5/16	8.5							
CL125-H-10	3/8	10.5							
CL125-H-12	1/2	13.0							
CL125-H-14	9/16	15.0							
CL125-H-16	5/8	17.0							
CL150-H-8	5/16	8.5	31.4	95.0	47.0	22.0	17.0	2.5	20
CL150-H-10	3/8	10.5							
CL150-H-12	1/2	13.0							
CL150-H-14	9/16	15.0							
CL150-H-16	5/8	17.0							
CL150-H-18	11/16	19.0							
CL150-H-20	3/4	21.0							

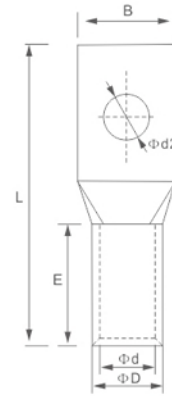
SC Cable Lug Series

高压 (单孔)铜管端子
CL-H Cable Lug



型号 ITEM NO.	STUD SIZE 美制螺栓号 螺栓口直径		尺寸 DIMENSION mm						包装 PCS/ PACK
	American	Metric d2	B	L	E	D	d1	T	
CL180-H-8	5/16	8.5	33.2	98.0	47.0	23.0	18.0	2.5	10
CL180-H-10	3/8	10.5							
CL180-H-12	1/2	13.0							
CL180-H-14	9/16	15.0							
CL180-H-16	5/8	17.0							
CL180-H-18	11/16	19.0							
CL180-H-20	3/4	21.0							
CL200-H-8	5/16	8.5	37.2	103.0	50.0	26.0	20.0	3.0	10
CL200-H-10	3/8	10.5							
CL200-H-12	1/2	13.0							
CL200-H-14	9/16	15.0							
CL200-H-16	5/8	17.0							
CL200-H-18	11/16	19.0							
CL200-H-20	3/4	21.0							
CL250-H-10	3/8	10.5	40.5	114.0	46.0	28.0	22.0	3.0	10
CL250-H-12	1/2	13.0							
CL250-H-14	9/16	15.0							
CL250-H-16	5/8	17.0							
CL250-H-18	11/16	19.0							
CL250-H-20	3/4	21.0							

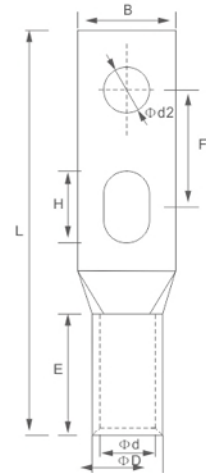
高压 (单孔)铜管端子
CL-H Cable Lug



型号 ITEM NO .	STUD SIZE		尺寸 DIMENSION mm						包装 PCS/ PACK
	美制螺栓号	螺栓口直径	B	L	E	D	d1	T	
CL325-H-10	3/8	10.5	46.0	118.0	46.0	32.0	25.0	3.5	5
CL325-H-12	1/2	13.0							
CL325-H-14	9/16	15.0							
CL325-H-16	5/8	17.0							
CL325-H-18	11/16	19.0							
CL325-H-20	3/4	21.0							
CL400-H-10	3/8	10.5	54.0	130.0	58.0	37.0	30.0	3.5	5
CL400-H-12	1/2	13.0							
CL400-H-14	9/16	15.0							
CL400-H-16	5/8	17.0							
CL400-H-18	11/16	19.0							
CL400-H-20	3/4	21.0							
CL500-H-10	3/8	10.5	60.0	130.0	58.0	42.0	34.0	4.0	5
CL500-H-12	1/2	13.0							
CL500-H-14	9/16	15.0							
CL500-H-16	5/8	17.0							
CL500-H-18	11/16	19.0							
CL500-H-20	3/4	21.0							

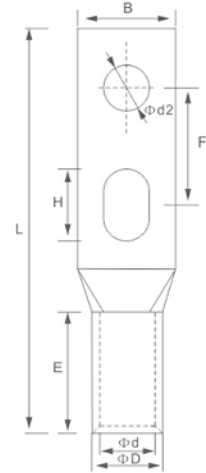
SC Cable Lug Series

高压 (双孔)铜管端子 CL-2H Cable Lug



型号 ITEM NO .	STUD SIZE 美制螺栓号 螺栓口直径			尺寸 DIMENSION mm							包装 PCS/ PACK
	American	Metric d2	H(mm)	F	B	L	E	D	d1	T	
CL14-2H-4	#8	4.3	6.3	44.0	12.8	117.5	28.0	9.0	6.0	1.5	100
CL14-2H-5	#10	5.3	7.3								
CL14-2H-6	1/4	6.5	8.5								
CL14-2H-8	5/16	8.5	11.5	43.5							
CL22-2H-4	#8	4.3	6.3	44.0	16.4	119.3	31.0	11.5	8.3	1.6	100
CL22-2H-5	#10	5.3	7.3								
CL22-2H-6	1/4	6.5	8.5								
CL22-2H-8	5/16	8.5	11.5	43.5							
CL22-2H-10	3/8	10.5	15.5	42.5							
CL38-2H-4	#8	4.3	6.3	44.0	18.0	120.0	33.0	12.5	9.3	1.6	100
CL38-2H-5	#10	5.3	7.3								
CL38-2H-6	1/4	6.5	8.5								
CL38-2H-8	5/16	8.5	11.5	43.5							
CL38-2H-10	3/8	10.5	15.5	42.5							
CL38-2H-12	1/2	13.0	18.0								
CL60-2H-5	#10	5.3	7.3	44.0	20.0	129.0	39.0	14.0	10.4	1.8	50
CL60-2H-6	1/4	6.5	8.5								
CL60-2H-8	5/16	8.5	11.5								
CL60-2H-10	3/8	10.5	15.5	42.5							
CL60-2H-12	1/2	13.0	18.0								

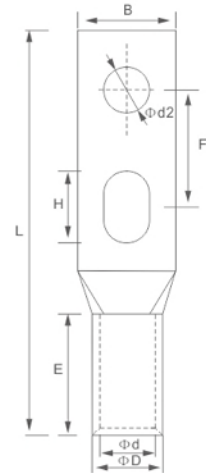
高压 (双孔)铜管端子 CL-2H Cable Lug



型号 ITEM NO .	STUD SIZE 美制螺栓号 螺栓口直径			尺寸 DIMENSION mm							包装 PCS/ PACK
	American	Metric d2	H(mm)	F	B	L	E	D	d1	T	
CL80-2H-5	#10	5.3	7.3	44.0	22.7	129.0	39.0	16.0	12.0	2.0	50
CL80-2H-6	1/4	6.5	8.5								
CL80-2H-8	5/16	8.5	11.5	42.5							
CL80-2H-10	3/8	10.5	15.5								
CL80-2H-12	1/2	13.0	18.0								
CL100-2H-5	#10	5.3	7.3	44.0	26.0	132.2	41.0	18.0	14.0	2.0	20
CL100-2H-6	1/4	6.5	8.5								
CL100-2H-8	5/16	8.5	11.5	43.5							
CL100-2H-10	3/8	10.5	15.5								
CL100-2H-12	1/2	13.0	18.0	42.5							
CL100-2H-14	9/16	15.0	20.0								
CL125-2H-6	1/4	6.5	8.5	44.0	29.2	134.5	43.0	20.0	15.6	2.2	20
CL125-2H-8	5/16	8.5	11.5								
CL125-2H-10	3/8	10.5	15.5	42.5							
CL125-2H-12	1/2	13.0	18.0								
CL125-2H-14	9/16	15.0	20.0								
CL125-2H-16	5/8	17.0	22.0								
CL150-2H-8	5/16	8.5	11.5	43.5	31.4	151.0	52.0	22.0	17.0	2.5	20
CL150-2H-10	3/8	10.5	15.5								
CL150-2H-12	1/2	13.0	18.0	42.5							
CL150-2H-14	9/16	15.0	20.0								
CL150-2H-16	5/8	17.0	22.0								
CL150-2H-18	11/16	19.0	24.0								
CL150-2H-20	3/4	21.0	26.0								

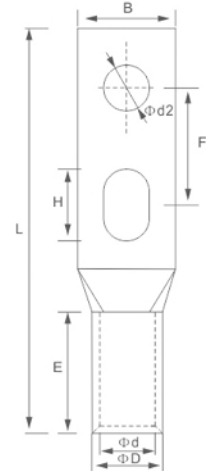
SC Cable Lug Series

高压 (双孔)铜管端子 CL-2H Cable Lug



型号 ITEM NO.	STUD SIZE 美制螺栓号 螺栓口直径			尺寸 DIMENSION mm							包装 PCS/ PACK
	American	Metric d2	H(mm)	F	B	L	E	D	d1	T	
CL180-2H-8	5/16	8.5	11.5	43.5	33.2	150.0	53.0	23.0	18.0	2.5	10
CL180-2H-10	3/8	10.5	15.5								
CL180-2H-12	1/2	13.0	18.0								
CL180-2H-14	9/16	15.0	20.0								
CL180-2H-16	5/8	17.0	22.0								
CL180-2H-18	11/16	19.0	24.0								
CL180-2H-20	3/4	21.0	26.0								
CL200-2H-8	5/16	8.5	11.5	42.5	37.2	150.0	52.0	26.0	20.0	3.0	10
CL200-2H-10	3/8	10.5	15.5								
CL200-2H-12	1/2	13.0	18.0								
CL200-2H-14	9/16	15.0	20.0								
CL200-2H-16	5/8	17.0	22.0								
CL200-2H-18	11/16	19.0	24.0								
CL200-2H-20	3/4	21.0	26.0								
CL250-2H-10	3/8	10.5	15.5	42.5	40.5	150.0	50.0	28.0	22.0	3.0	5
CL250-2H-12	1/2	13.0	18.0								
CL250-2H-14	9/16	15.0	20.0								
CL250-2H-16	5/8	17.0	22.0								
CL250-2H-18	11/16	19.0	24.0								
CL250-2H-20	3/4	21.0	26.0								

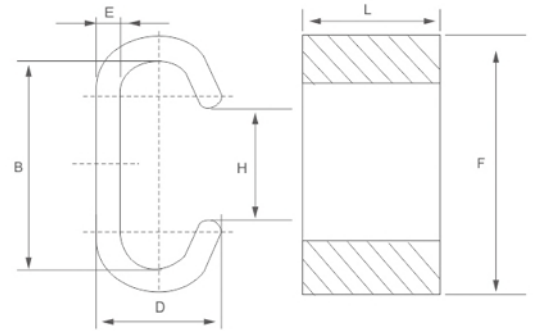
高压 (双孔)铜管端子 CL-2H Cable Lug



型号 ITEM NO .	STUD SIZE 美制螺栓号 螺栓口直径			尺寸 DIMENSION mm							包装 PCS/ PACK
	American	Metric d2	H(mm)	F	B	L	E	D	d1	T	
CL325-2H-10	3/8	10.5	15.5	42.5	46.0	180.0	68.0	32.0	25.0	3.5	2
CL325-2H-12	1/2	13.0	18.0								
CL325-2H-14	9/16	15.0	20.0								
CL325-2H-16	5/8	17.0	22.0								
CL325-2H-18	11/16	19.0	24.0								
CL325-2H-20	3/4	21.0	26.0	42.5	54.0	180.0	68.0	37.0	30.0	3.5	2
CL400-2H-10	3/8	10.5	15.5								
CL400-2H-12	1/2	13.0	18.0								
CL400-2H-14	9/16	15.0	20.0								
CL400-2H-16	5/8	17.0	22.0								
CL400-2H-18	11/16	19.0	24.0	42.5	60.0	180.0	68.0	42.0	34.0	4.0	2
CL400-2H-20	3/4	21.0	26.0								
CL500-2H-10	3/8	10.5	15.5								
CL500-2H-12	1/2	13.0	18.0								
CL500-2H-14	9/16	15.0	20.0								
CL500-2H-16	5/8	17.0	22.0								
CL500-2H-18	11/16	19.0	24.0								
CL500-2H-20	3/4	21.0	26.0								

SC Cable Lug Series

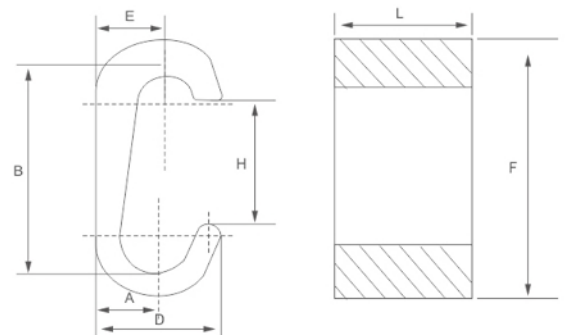
C形端子 C-Type Cable Lug



编号 NO.	型号 ITEM NO.	尺寸 DIMENSION mm						包装 PCS/ PACK
		B	H	E	D	F	L	
LXT037	C-14*22-2#	13.1	8.4	4.0	13.1	19.3	20.2	100
LXT038	C-25*50-3#	19.9	13.0	4.0	15.5	27.5	22.3	100
LXT039	C-60*100-8A	31.0	19.0	6.0	25.5	41.2	25.7	50
LXT040	C-100*150-9#	34.0	23.0	6.0	25.8	45.6	27.0	50
LXT041	C-150*200-13#	43.0	27.6	4.2	27.2	53.8	30.5	50
LXT042	C-200*250-11#	47.5	30.6	4.8	33.0	58.8	31.5	50

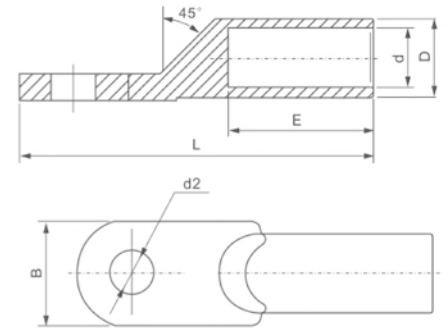
 铜管端子系列
SC Cable Lug Series

C形端子 C-Type Cable Lug



编号 NO.	型号 ITEM NO.	尺寸 DIMENSION mm							包装 PCS/ PACK
		B	H	A	E	D	F	L	
LXT043	C-14*8-1#	11.0	8.7	5.8	6.3	11.0	19.3	18.2	100
LXT044	C-35*50-4#	18.0	12.0	9.8	10.3	17.5	27.8	22.0	100
LXT045	C-38*60-5#	18.8	11.2	10.5	11.0	20.2	34.8	25.2	50
LXT046	C-60*150-10#	28.8	17.0	15.0	15.5	26.5	44.2	26.4	50
LXT047	C-60*200-14#	32.0	21.0	13.0	15.0	25.3	46.3	29.5	50
LXT048	C-60*250-12#	36.8	23.6	14.0	15.0	29.4	53.0	29.5	50

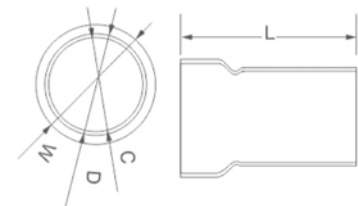
DT系列铜接线端子 Copper Connecting Terminals



型号 ITEM NO.	尺寸 DIMENSION mm					
	d2	B	L	E	D	d
DT-10	8.5	16	62	28	9	5.5
DT-16	8.5	16	68	32	10	6.5
DT-25	8.5	18	70	33	11	7.4
DT-35	10.5	20.5	80	37	12	8.4
DT-50	10.5	23	85	39	14	10.0
DT-70	13	26	95	43	16	11.8
DT-95	13	28	104	49	18	13.5
DT-120	13	30	112	49	20	15.0
DT-150	13	32.5	102	52	23	17.0
DT-185	17	37	125	55	25	19.0
DT-240	17	40	136	62	27	21.0
DT-300	22	50	158	68	31	23.5
DT-400	22	50	176	80	34	27.0
DT-500	22	60	186	82	38	29.2

 SC Cable Lug Series
铜管端子系列

双压式铜套 Double Crimp Tube



型号 ITEM NO.	导线面积 WIRE SECTION		尺寸 DIMENSION mm				包装 PCS/ PACK
	A. W. G	mm ²	L	D	C	W	
T-0.5	#22	0.5	7.5	2.7	2.3	3.7	500
T-0.75	#20	0.75	7.5	3.0	2.7	4.1	500
T-1.25	#18	1.25	8.5	3.7	3.3	4.6	500
T-2.5	#16	2.0	8.5	4.3	3.9	5.3	500
T-3.5	#14	3.5	9.5	5.0	4.5	5.9	500
T-5.5	#12	5.5	9.5	6.0	5.4	7.0	500



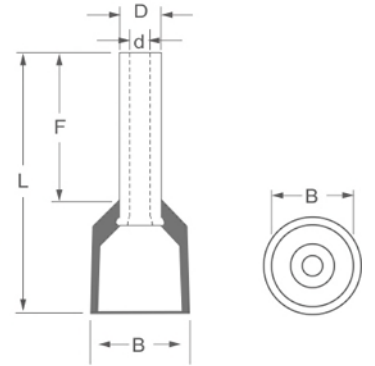
管形端子系列

Ferrule Terminal Series



管形端子系列
Ferrule Terminal
Series

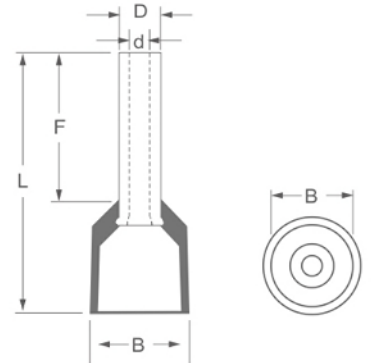
单线管形绝缘端子 Ferrule Terminal



型号 ITEM NO.	导线面积 WIRE SECTION		尺寸 DIMENSION mm					包装 PCS/ PACK	颜色 COLOR	说明 EXPLANATION
	A. W. G	mm ²	F	L	B	D	d			
E 0206	#26	0.25	6.0	10.5	2.7	1.0	0.7	1000	● 淡蓝色 Light Blue	材质:紫铜管 绝缘材质: PVC(多种颜色) / 尼龙(PA66) Material:Copper Insulating Material: PVC(Colors) / Nylon(PA66)
E 0208			8.0	12.5						
E 0306	#24	0.34	6.0	10.5	2.7	1.1	0.8	1000	● 青绿色 Light Green	
E 0308			8.0	12.5						
E 0506	#22	0.5	6.0	12.0	3.4	1.3	1.0	1000	● 橘黄色 Orange	
E 0508			8.0	14.0						
E 0510			10.0	16.0						
E 0512			12.0	18.0						
E 7506	#20	0.75	6.0	12.4	3.6	1.5	1.2	1000	○ 白色 White	
E 7508			8.0	14.6						
E 7510			10.0	16.4						
E 7512			12.0	18.4						
E 1006	#18	1.0	6.0	12.4	3.8	1.8	1.5	1000	● 蓝色 Blue	
E 1008			8.0	14.6						
E 1010			10.0	16.4						
E 1012			12.0	18.4						
E 1508	#16	1.5	8.0	15.2	4.3	2.0	1.7	1000	● 黄色 yellow	
E 1510			10.0	17.2						
E 1512			12.0	19.2						
E 1518			18.0	25.2						
E 2508	#14	2.5	8.0	15.7	5.0	2.6	2.3	1000	● 红色 Red	
E 2510			10.0	17.7						
E 2512			12.0	19.7						
E 2518			18.0	25.7						

管形端子系列
Ferrule Terminal Series

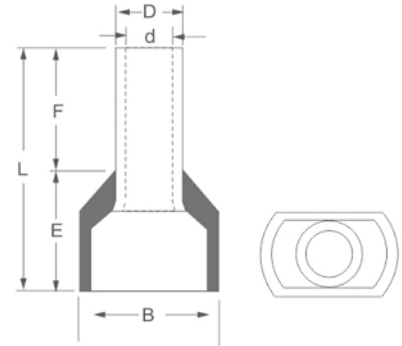
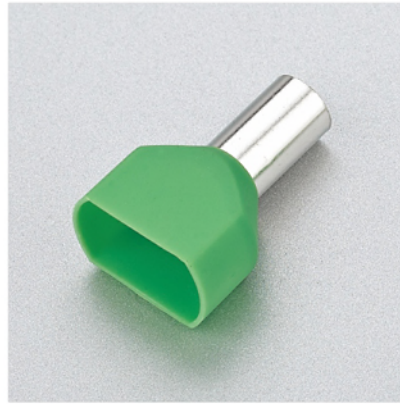
单线管形绝缘端子 Ferrule Terminal



型号 ITEM NO.	导线面积 WIRE SECTION		尺寸 DIMENSION mm					包装 PCS/ PACK	颜色 COLOR	说明 EXPLANATION
	A. W. G	mm ²	F	L	B	D	d			
E 4009	#12	4.0	9.0	16.5	5.7	3.2	2.8	1000	淡蓝色 Light Blue	材质:紫铜管 绝缘材质: PVC(多种颜色) / 尼龙(PA66) Material:Copper Insulating Material: PVC(Colors) / Nylon(PA66)
E 4012			12.0	19.5						
E 4018			18.0	25.5						
E 6010	#10	6.0	10.0	19.0	7.4	3.9	3.5	1000	青绿色 Light Green	
E 6012			12.0	21.0						
E 6018			18.0	27.0						
E 10-12	#7	10.0	12.0	22.0	8.3	4.9	4.5	1000	橘黄色 Orange	
E 10-18			18.0	28.0						
E 16-12	#5	16.0	12.0	22.2	9.7	6.2	5.8	500	白色 White	
E 16-18			18.0	28.2						
E 25-16	#4	25.0	16.0	28.0	11.9	7.9	7.5	200	蓝色 Blue	
E 25-22			22.0	34.0						
E 35-16	#2	35.0	16.0	29.5	13.0	8.7	8.3	200	黄色 yellow	
E 35-25			25.0	38.5						
E 50-20	#1	50.0	20.0	35.0	15.7	10.9	10.3	200	红色 Red	
E 50-25			25.0	40.0						
E 70-20	2/0	70.0	20.0	37.0	18.0	14.3	13.5	200	黑色 Black	
E 70-25			25.0	42.0						
E 70-27			27.0	44.0						
E 95-25	3/0	95.0	25.0	45.0	19.5	15.3	14.5	50	绿色 Green	
E 120-27	4/0	120.0	27.0	47.0	20.3	17.5	16.5	50	乳白色 Iroy	
E 120-32			32.0	52.0						
E 150-25	250/ 300	150.0	25.0	49.0	25.0	20.5	19.6	25	褐色 Brown	
E 150-27			27.0	51.0						
E 150-32			32.0	56.0						

 管形端子系列
Ferrule Terminal Series

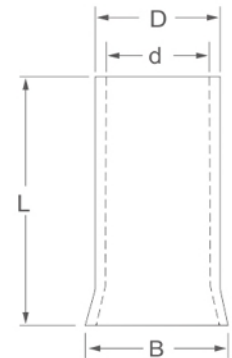
双线管形绝缘端子 Twin Terminal



型号 ITEM NO.	导线面积 WIRE SECTION mm ²	尺寸 DIMENSION mm						包装 PCS/ PACK	颜色 COLOR	说明 EXPLANATION
		F	L	E	B	D	d			
TE 0508	2×0.5	8.0	14.8	6.8	5.8	1.8	1.5	1000	淡蓝色 Light Blue	材质:紫铜管 绝缘材质: PVC(多种颜色) / 尼龙(PA66) Material:Copper Insulating Material: PVC(Colors) / Nylon(PA66)
TE 7508	2×0.75	8.0	15.2	7.2	6.2	2.1	1.8	1000	青绿色 Light Green	
TE 7510	2×0.75	10.0	17.2	7.2	6.2	2.1	1.8	1000	橘黄色 Orange	
TE 1008	2×1.0)	8.0	15.0	7.0	6.4	2.4	2.1	1000	白色 White	
TE1010	2×1.0	10.0	17.0	7.0	6.4	2.4	2.1	1000	蓝色 Blue	
TE 1508	2×1.5	8.0	16.0	8.0	7.2	2.6	2.3	1000	黄色 yellow	
TE 1512	2×1.5	12.0	20.0	8.0	7.2	2.6	2.3	1000	红色 Red	
TE 2510	2×2.5	10.0	19.5	8.5	8.7	3.3	2.9	1000	黑色 Black	
TE 2513	2×2.5	13.0	22.5	8.5	8.7	3.3	2.9.	1000	绿色 Green	
TE 4012	2×4.0	12.0	22.5	10.5	9.6	4.2	3.8	1000	乳白色 Iroy	
TE 6014	2×6.0	14.0	25.2	11.2	10.4	5.3	4.9	500	褐(棕色) Brown	
TE 10-14	2×10.0	14.0	26.3	12.5	13.6	6.9	6.5	200		
TE 16-14	2×16.0	14.0	31.2	17.2	20.0	8.7	8.3	200		

管形端子系列
Femule Terminal
Series

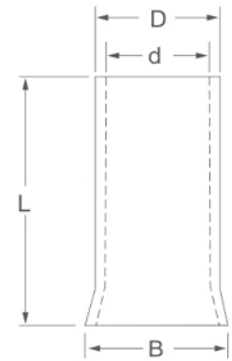
管形裸端子 Non-Insulated Ferrule Terminal



型号 ITEM NO.	导线面积 WIRE SECTION		尺寸 DIMENSION mm				包装 PCS/ PACK
	A. W. G	mm ²	L	B	D	d	
EN 0206	#26	0.2	6.0	1.4	1.0	0.7	2000
EN 0207			7.0				
EN 0208			8.0				
EN 0306	#24	0.3	6.0	1.5	1.1	0.8	2000
EN 0308			8.0				
EN 0505	#22	0.5	5.0	1.7	1.3	1.0	2000
EN 0506			6.0				
EN 0508			8.0				
EN 0510			10.0				
EN 0512			12.0				
EN 7506	#20	0.75	6.0	1.9	1.5	1.2	2000
EN 7508			8.0				
EN 7510			10.0				
EN 7512			12.0				
EN 1006	#18	1.0	6.0	2.2	1.8	1.5	2000
EN 1008			8.0				
EN 1010			10.0				
EN 1012			12.0				
EN 1507	#16	1.5	7.0	2.5	2.0	1.7	2000
EN 1508			8.0				
EN 1510			10.0				
EN 1512			12.0				
EN 1518			18.0				

管形端子系列
Ferrule Terminal Series

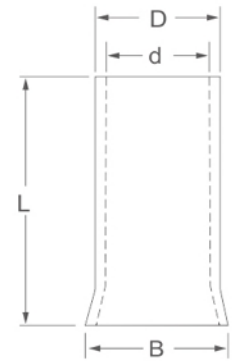
管形裸端子
Non-Insulated Ferrule Terminal



型号 ITEM NO.	导线面积 WIRE SECTION		尺寸 DIMENSION mm				包装 PCS/ PACK
	A. W. G	mm ²	L	B	D	d	
EN 2507	#14	2.5	7.0	3.3	2.6	2.3	2000
EN 2508			8.0				
EN 2510			10.0				
EN 2512			12.0				
EN 2518			18.0				
EN 4009	#12	4.0	9.0	3.9	3.2	2.8	2000
EN 4012			12.0				
EN 4018			18.0				
EN 6010	#10	6.0	10.0	4.8	3.9	3.5	1000
EN 6012			12.0				
EN 6015			15.0				
EN 6018			18.0				
EN 10-12	#7	10.0	12.0	5.8	4.9	4.5	1000
EN 10-15			15.0				
EN 10-18			18.0				
EN 16-12	#5	16.0	12.0	7.2	6.2	5.8	1000
EN 16-15			15.0				
EN 16-18			18.0				
EN 25-16	#4	25.0	16.0	9.1	7.9	7.5	500
EN 25-22			22.0				
EN 35-16	#2	35.0	16.0	10.2	8.7	8.3	500
EN 35-25			25.0				

管形裸端子系列
Ferrule Terminal Series

管形裸端子
Non-Insulated Ferrule Terminal



型号 ITEM NO.	导线面积 WIRE SECTION		尺寸 DIMENSION mm				包装 PCS/ PACK
	A. W. G	mm ²	L	B	D	d	
EN 50-20	1/0	50.0	20.0	12.7	10.9	10.3	200
EN 50-25			25.0				
EN 50-30			30.0				
EN 50-32			32.0				
EN 70-22	2/0	70.0	22.0	15.8	14.3	13.5	200
EN 70-25			25.0				
EN 70-30			30.0				
EN 70-32			32.0				
EN 95-25	3/0	95.0	25.0	17.3	15.3	14.5	100
EN 95-30			30.0				
EN 95-32			32.0				
EN 95-34			34.0				
EN 120-30	4/0	120.0	30.0	20.2	17.5	16.5	100
EN 120-32			32.0				
EN 120-34			34.0				
EN 120-38			38.0				
EN 120-40			40.0				
EN 150-32	250/300	150.0	32.0	23.0	20.6	19.6	50
EN 150-34			34.0				
EN 150-38			38.0				
EN 150-40			40.0				
EN 185-32	250/300	185.0	32.0	23.9	21.4	20.2	25
EN 185-40			40.0				

管形端子系列
Ferrule Terminal
Series



热缩端子系列

Heat Shrink Terminal Series

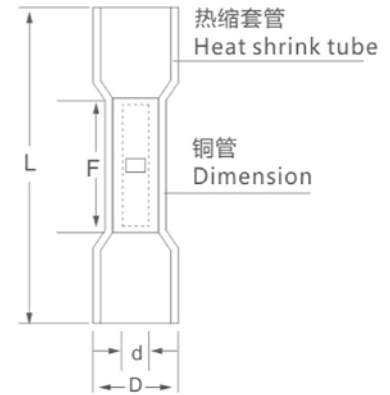


Heat Shrink
Terminal Series
热缩端子系列

BHT防水热缩中接端子 Heat Shrink Butt Connector

应用 Application

BHT是由聚烯烃生而成的热收缩套管涂胶而成，用于保护连接、防水防腐蚀，可以在粗糙的环境中加强固定和防震，具有很好的绝缘保护电子连接器的功能。与常规的连接端子相比，具有耐久性、易于安装、安装成本低的优势。



BHT protects splices from water and corrosion. Providing strain relief and against vibration in rugged environments, which excellently insulates and protects electronic connections. It offer long-term performance, easy installation, and a low installed cost, which is more reliable than conventional crimp terminals.

特性 Characteristics

- 收缩率3:1
- Polyamide热熔胶提高优异的防水性能
- 材料优异的延伸性能，抗机械损害
- 透明度佳，提高更好的抗拉力
- 高弹性，管材不易变形
- Shrinkage ratio 3:1
- Polyamide hot- melt adhesive provides excellent Waterproof property
- Excellent stretch and mechanical damage resistance
- Ideally translucent provides tensile strength
- High elasticity keeps steady performance

操作温度 Operating temperature range

- 操作温度：-55°C~125°C
- 开始收缩温度：80°C
- 最低完全收缩温度：130°C
- Operating temperature：-55°C~125°C
- Minimum shrink temperature：80°C
- Minimum fully shrinkage temperature：130°C

产品规格 Product Dimensions

产品型号 Part.No	电线 Wire Range		铜管(mm) Dimension		热缩管(mm) Heat shrink tube		热缩管材质 Heat shrinkable tube material	铜管材质 Brass Material	铜管厚度 Thickness of the copper tube	颜色 Color	符合 Approval
	A.W.G	m m ²	d	F	D	L					
BHT-0.5	20-22	0.3-0.5	1.0	12	3.0	26	PE	紫铜 copper	0.5mm	● Yellow	RoHS
BHT-1.25	22-18	0.5-1.0	1.7	15	4.8	36.5	PE		0.8mm	● Red	RoHS
BHT-2.5	16-14	1.5-2.5	2.4	15	5.8	36.5	PE		0.8mm	● Blue	RoHS
BHT-5.5	12-10	4.0-6.0	3.6	15	6.8	41.5	PE		1.0mm	● Yellow	RoHS
BHT-8	8	6.0-10.0	4.8	21	7.8	48	PE		1.2mm	● Yellow	RoHS

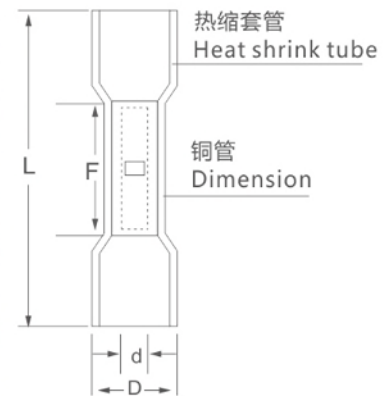
性能参数 Technical Indicators

Test Item		Characterisrics	Test condition
Unaged	Tensile strength	Min.16MPa	Room temp.
	Elongation	Min.200%	
Aged	Tensile strength	Min.11.5MPa	158°C/7 days
	Elongation	Min.100%	
Voltage withstand and breakdown Voltage(Unaged)		Withstand 2.5 KV for 1 minute and brea kd own	Room temp.
Voltage withstand and breakdown Voltage(Aged)		Withstand 2.5 KV for 1 minute and breakdown at least half of unaged breakdown voltage	158°C/7 days
Copper corrosion		No corrosion of bare copper	158°C/7 days
Maximum secaht modulus(2%)		No sign of degradation Min. Eongation 100%	158°C/7 days
Copper stability		No crack	-30°C/4 hrs
Cold bend		250MPa	-
Volume resistivity		Min.10 ¹⁴ Ω-cm	-
Heat shock		No crack	250°C/4 hrs

BHTD高强度防水热缩中间端子 High Strength Heat Shrink Butt Connector

应用 Application

BHT-H是由改性聚烯烃生而成的热收缩套管涂胶而成粘接力对PVC、PE、金属粘接力强，用于保护连接、防水防腐，可以在粗糙的环境中加强固定和防震，具有很好的绝缘保护电子连接器的功能。与常规的连接器相比，具有持久性、易于安装、安装成本低的优势。



BHT-H Made by modmed polyolefin, with superior for protecting splices from water and corrosion. Inner adhesive bonds to PVC, PE, and metals. Providing strain relief and against vibration in rugged environments, which excellently insulates and protects electronic connections. It offer long-term performance, easy installation, and a low installed cost, which is more reliable than conventional crimp terminals.

特性 Characteristics

- 收缩率3:1
- 含热熔胶具防水性能
- 材料优异的延伸性能，抗机械损害
- 透明度佳及良好的外管
- 高抗拉力
- 高弹性能，管材不易变形
- Shrinkage ratio 3:1
- hot-melt adhesive provides excellent waterproof property
- Excellent stretch and mechanical damage resistance
- Ideally translucent provides tensile strength
- High elasticity keeps steady performance

操作温度 Operating temperature range

- 操作温度：-45°C~105°C
- 开始收缩温度：60°C
- 最低完全收缩温度：100°C
- Operating temperature: -45°C- 105°C
- Minimum shrink temperature: 60°C
- Minimum fully shrinkage temperature : 100°C

产品规格 Product Dimensions

产品型号 Part.No	电线 Wire Range		铜管(mm) Dimension		热缩管(mm) Heat shrink tube		热缩管材质 Heat shrinkable tube material	铜管材质 Brass Material	铜管厚度 Thickness of the copper tube	颜色 Color	符合 Approval
	A.W.G	m m ²	d	F	D	L					
BHTD-0.5	20-22	0.3-0.5	1.0	12	3.0	26	PE	紫铜 copper	0.5mm	● Yellow	RoHS
BHTD-1.25	22-18	0.5-1.0	1.7	15	4.8	36.5	PE		0.8mm	● Red	RoHS
BHTD-2.5	16-14	1.5-2.5	2.4	15	5.8	36.5	PE		0.8mm	● Blue	RoHS
BHTD-5.5	12-10	4.0-6.0	3.6	15	6.8	41.5	PE		1.0mm	● Yellow	RoHS

性能参数 Technical Indicators

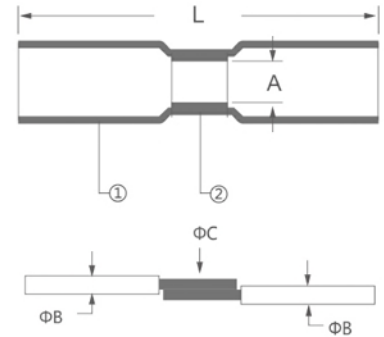
Test Item		Characterisrics	Test condition
Unaged	Tensile strength	Min.16MPa	Room temp.
	Elongation	Min.200%	
Aged	Tensile strength	Min.11.5MPa	158°C/7 days
	Elongation	Min.100%	
Voltage withstand and breakdown Voltage(Unaged)		Withstand 2.5 KV for 1 minute and breakdown	Room temp.
Voltage withstand and breakdown Voltage(Aged)		Withstand 2.5 KV for 1 minute and breakdown at least half of unaged breakdown voltage	150°C/7 days
Copper corrosion		No corrosion of bare copper	150°C/7 days
Copper stability		No sign of degradation Min. Eongation 100%	150°C/7 days
Cold bend		No crack	-40°C/4 hrs
Heat shock		No crack	250°C/4 hrs

HXT-H 高抗拉防水焊锡环热缩中间管 High Strength Heat Shrink Solder Connector

应用 Application

专为导线连接、焊锡热缩保护、防水一次完成设计的产品。

One piece design, it consists of trans parent heat shrinkable sleeve and fluxed solder. Provides insulation esaity and lower the installed cost. Color hot-melt glue on two ends of heat shrinkable tube, it's very convenience to use the exact wire dimension.



①热收缩套管
D Heat shrinkable tubing
②低温焊锡环
Low temperature solder sleeve

特性 Characteristics

- 收缩率3: 1
- 合热熔胶具防水功能
- 管材颜色标示适用尺寸
- 高抗拉力
- 焊锡环设计容易施工
- Shrinking ratio3:1
- Waterproof for wiring splices
- Trans parent sleeve provides precise inspection
- Ideally translucent provides tensile strength
- Easy control soldening process

操作温度Operating temperature range

- 工作温度：-55°C-125°C
- 开始收缩温度：80°C
- 焊锡开始熔解温度：138°C
- 焊锡完全熔解温度：160°C
- Operating temperature：-55°C- 125°C
- Minimum shrink temperature：80°C
- Starting temperature of solder melt：138°C
- Minimum fully shrinkage temperature：160°C

产品规格 Product Dimensions

产品型号 Part.No	Product Dimensions(mm)		Wire Dimensions(mm)			电线 Lead Section	标准颜色 Standard color
	A(min.)	L(min.)	B(min.)	B and C(min.)	C(min.)	A.W.G(mm ²)	
HXT-H-0.5	1.7	26	1.0	1.7	0.76	26- 24(0.25-0.34)	○ White
HXT-H-1.25	2.7	40	1.4	2.7	1.2	22-18(0.5-1.0)	● Red
HXT-H-2.5	4.5	40	2.3	4.5	2.0	16-14(1.5-2.5)	● Blue
HXT-H-5.5	6.0	40	3.7	6.0	3.4.	12-10(4.0-6.0)	● Yell ow

性能参数Technical Indicators

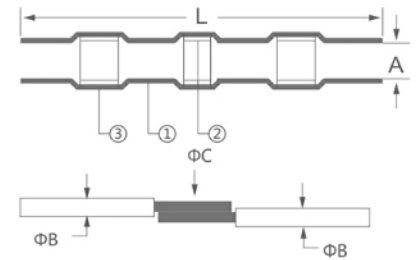
MAX operating Temperature	-55°C ~ +125°C
Shrinking temperature	> 160°C
Dielectric strength	1kV
Protection type	IP67

HXT防水焊锡环热缩中间管 Heat Shrink Solder Connector

应用 Application

专为导线连接、焊锡热缩保护、防水一次完成设计的产品。

One piece design, it consists of trans parent heat shrinkable sleeve and fluxed solder. Provides insulation esaity and lower the installed cost. Color hot-melt glue on two ends of heat shrinkable tube, it's very convenience to use the exact wire dimension.



- ①热收缩套管
D Heat shrinkable tubing
- ②低温焊锡环
Low temperature solder sleeve
- ③防水热熔胶
Waterproof hot melt adhesive

特性 Characteristics

- 收缩率3: 1
- 含热熔胶具防水功能
- 热熔胶颜色标示适用尺寸
- 高抗拉力
- 焊锡环设计容易施工
- Shrinking ratio3:1
- Waterproof for wiring splices
- Trans parent sleeve provides precise inspection
- Ideally translucent provides tensile strength
- Easy control soldening process

操作温度Operating temperature range

- 工作温度：-55°C-125°C
- 开始收缩温度：80°C
- 焊锡开始熔解温度：138°C
- 焊锡完全熔解温度：160°C
- Operating temperature：-55°C-125°C
- Minimum shrink temperature：80°C
- Starting temperature of solder melt：138°C
- Minimum fully shrinkage temperature：160°C

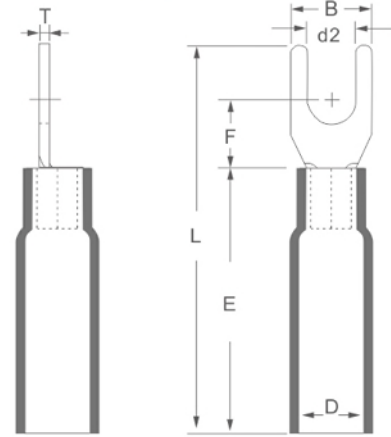
产品规格 Product Dimensions

产品型号 Part.No	Product Dimensions(mm)		Wire Dimensions(mm)			电线 Lead Section	标准颜色 Standard color
	A(min.)	L(min.)	B(min.)	B and C(min.)	C(min.)	A.W.G(mm ²)	
HXT-11	1.7	26	1.0	1.7	0.76	26-24(0.25-0.34)	○ White
HXT-21	2.7	40	1.4	2.7	1.2	22-18(0.5-1.0)	● Red
HXT-31	4.5	40	2.3	4.5	2.0	16-14(1.5-2.5)	● Blue
HXT-41	6.0	40	3.7	6.0	3.4	12-10(4.0-6.0)	● Yell ow

性能参数Technical Indicators

MAX operating Temperature	-55°C ~ +125°C
Shrinking temperature	> 160°C
Dielectric strength	1kV
Protection type	IP67

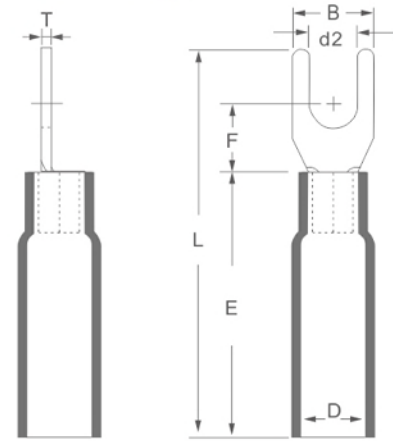
叉形热缩防水端子 Heat Shrink Fork Terminal



型号 ITEM NO.	STUD SIZE 美制螺栓号 螺栓口直径		尺寸 DIMENSION mm						包装 PCS/ PACK	颜色 COLOR	说明 EXPLANATION
	American	Metric d2	B	F	L	E	D	T			
RSSV1.25-3	#4	3.2	5.7	6.5	27.5	16.5	6.0	0.7	100	● 红 Red	导线截面:0.5~1.5mm ² (美国线规22~16) 最大电流: I _{max} =19A 材质: 紫铜 操作温度: -55°C~125°C 开始收缩温度: 80°C 最低完全收缩温度: 130°C
RSSV1.25-3.5S	#6	3.7									
RSSV1.25-3.5L	#6	3.7									
RSSV1.25-4S	#8	4.3	6.4								
RSSV1.25-4M	#8	4.3									
RSSV1.25-4L	#8	4.3	8.1		28.0	17.0					
RSSV1.25-5S	#10	5.3									
RSSV1.25-5L	#10	5.3	9.5								
RSSV1.25-6S	1/4	6.5									
RSSV1.25-6L	1/4	6.5	12.0		11.0	34.0					
RSSV1.25-8	5/16	8.5	14.0	12.0	36.0	17.5					
RSSV2-3	#4	3.2	5.7	6.5	27.2	16.8	7.2	0.8	100	● 蓝 Blue	导线截面:1.5~2.5mm ² (美国线规16~14) 最大电流: I _{max} =27A 材质: 紫铜 操作温度: -55°C~125°C 开始收缩温度: 80°C 最低完全收缩温度: 130°C
RSSV2-3.5S	#6	3.7									
RSSV2-3.5L	#6	3.7	6.5								
RSSV2-4S	#8	4.3									
RSSV2-4M	#8	4.3	7.2		28.0	18.1					
RSSV2-4L	#8	4.3									
RSSV2-5S	#10	5.3	8.2		28.8	18.1					
RSSV2-5L	#10	5.3									
RSSV2-6S	1/4	6.5	9.5		29.8	18.8					
RSSV2-6L	1/4	6.5									
RSSV2-8	5/16	8.5	12.0	11.0	34.0	16.8					
RSSV2-8	5/16	8.5	14.0	12.5	36.3	17.8					

热缩端子系列
Heat Shrink
Terminal Series

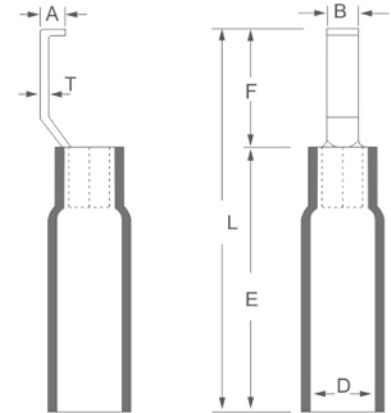
叉形热缩防水端子 Heat Shrink Fork Terminal



型号 ITEM NO.	STUD SIZE 美制螺栓号 螺孔口直径		尺寸 DIMENSION mm						包装 PCS/ PACK	颜色 COLOR	说明 EXPLANATION
	American	Metric d2	B	F	L	E	D	T			
RSSV5.5-3	#4	3.2	8.3	7.5	32.6	20.0	8.2	1.0	100	● 黄 Yellow	导线截面:4~6mm ² (美国线规12~10) 最大电流:Imax=48A 材质:紫铜 操作温度:-55°C~125°C 开始收缩温度:80°C 最低完全收缩温度:130°C Lead Section:4~6mm ² (A.W.G.12~10) Max Current:Imax=48A Material:Copper Operating Temperature: 55C~125°C Began To Shrink Temperature: 80 °C Minimum Fully Shrinkage Temperature:130°C
RSSV5.5-3.5	#6	3.7									
RSSV5.5-4S	#8	4.3									
RSSV5.5-4L	#8	4.3	8.9	33.8							
RSSV5.5-5	#10	5.3	9.0	32.6							
RSSV5.5-6S	1/4	6.5	12.0	12.0	38.3						
RSSV5.5-6L	1/4	6.5									
RSSV5.5-8	5/16	8.5									
RSSV5.5-10	3/8	10.5	17.5	12.5	38.8						

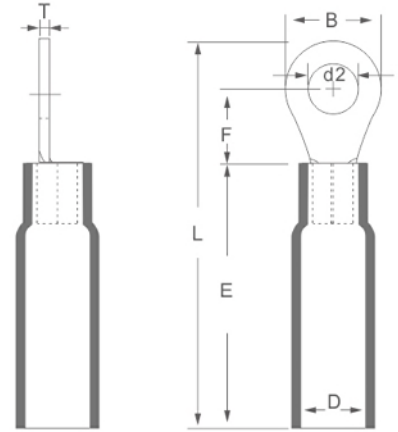
热缩端子系列
Heat Shrink Terminal Series

凹形热缩防水端子 Heat Shrink Convex Blade Terminal



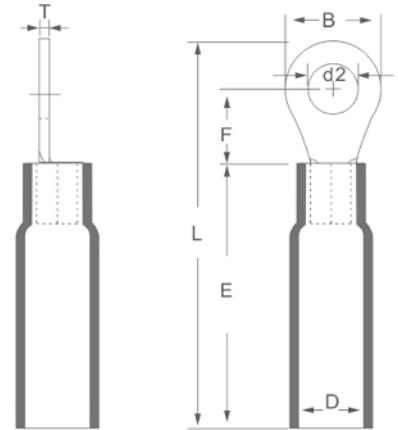
型号 ITEM NO.	尺寸 DIMENSION mm							包装 PCS/ PACK	颜色 COLOR	说明 EXPLANATION
	B	F	L	E	D	T	A			
RSLB1.25-3	3.0	17.0	36.0	19.0	6.0	0.7	2.1	100	● 红 Red	材质:紫铜 操作温度:-55°C~125°C 开始收缩温度:80°C 最低完全收缩温度:130°C Material:Copper Operating Temperature:55C~125°C Began To Shrink Temperature: 80 °C Minimum Fully Shrinkage Temperature:130°C
RSLB1.25-4.6	4.6									
RSLB2-3	3.0	17.0	36.0	19.0	7.2	0.8	2.1	100	● 蓝 Blue	
RSLB2-4.6	4.6									
RSLB5.5-3	3.0	17.5	39.0	22.0	8.2	1.0	2.75	100	● 黄 Yellow	
RSLB5.5-4.6	4.6									

圆形热缩防水端子 Heat Shrink Ring Terminal



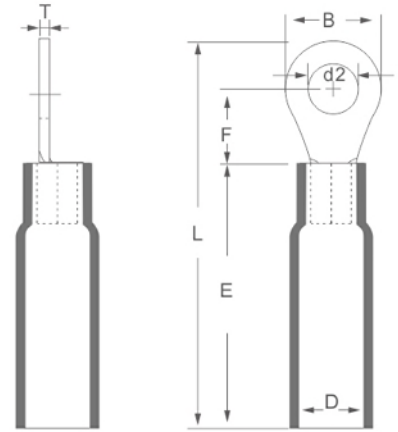
型号 ITEM NO.	STUD SIZE 美制螺栓号 螺栓口直径		尺寸 DIMENSION mm						包装 PCS/ PACK	颜色 COLOR	说明 EXPLANATION
	American	Metric d2	B	F	L	E	D	T			
RSRV1.25-3	#4	3.2	5.7	5.0	24.0	16.5	17.5	6.0	0.7	100	● 红 Red 导线截面:0.5~1.5mm ² (美国线规22~16) 最大电流: I _{max} =19A 材质: 紫铜 操作温度: -55°C~125°C 开始收缩温度: 80°C 最低完全收缩温度: 130°C Lead Section:0.5~1.5mm ² (A.W.G.22~16) Max Current:I _{max} =19A Material:Copper Operating Temperature: 55C~125°C Began To Shrink Temperature: 80 °C Minimum Fully Shrinkage Temperature:130°C
RSRV1.25-3.5S	#6	3.7									
RSRV1.25-3.5M	#6	3.7									
RSRV1.25-3.5L	#6	3.7	8.0	7.0	28.5						
RSRV1.25-4S	#8	4.3	6.6	6.3	27.0						
RSRV1.25-4L	#8	4.3	8.0	7.0	28.5						
RSRV1.25-5S	#10	5.3	9.5	7.5	30.0						
RSRV1.25-5L	#10	5.3	11.6	11.3	34.0						
RSRV1.25-6S	1/4	6.5	11.6	11.3	34.0						
RSRV1.25-6L	1/4	6.5	13.7	13.9	38.0						
RSRV1.25-8	5/16	8.5	18.0	15.0	41.0						
RSRV1.25-8L	5/16	8.5	27.0	21.0	51.0						
RSRV1.25-10	3/8	10.5	27.0	21.0	51.0						
RSRV1.25-10L	3/8	10.5	27.0	21.0	51.0						
RSRV1.25-12	1/2	13.0	27.0	21.0	51.0						
RSRV1.25-14	9/16	15.0	27.0	21.0	51.0						
RSRV1.25-16	5/8	17.0	27.0	21.0	51.0						
RSRV1.25-18	11/16	19.0	27.0	21.0	51.0						
RSRV1.25-20	3/4	21.0	27.0	21.0	51.0						

圆形热缩防水端子 Heat Shrink Ring Terminal



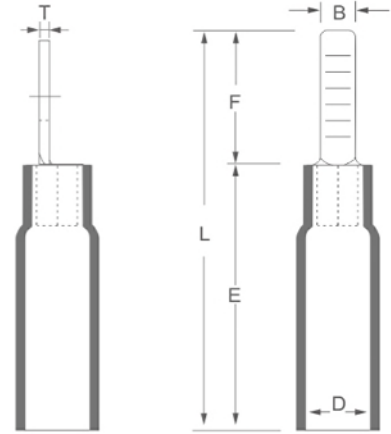
型号 ITEM NO.	STUD SIZE 美制螺栓号 螺栓口直径		尺寸 DIMENSION mm						包装 PCS/ PACK	颜色 COLOR	说明 EXPLANATION
	American	Metric d2	B	F	L	E	D	T			
RSRV2-3	#4	3.2	6.6	4.3	24.8	17.0					
RSRV2-3.5S	#6	3.7		6.3	26.0						
RSRV2-3.5M	#6	3.7		7.4	28.5						
RSRV2-3.5L	#6	3.7		8.5	26.7						
RSRV2-4S	#8	4.3	8.5	7.4	29.3	17.5	7.2	0.8	100	导线截面:1.5~2.5mm ² (美国线规16~14) 最大电流:Imax=27A 材质:紫铜 操作温度:-55°C~125°C 开始收缩温度:80°C 最低完全收缩温度:130°C	
RSRV2-4L	#8	4.3	9.5		30.0						
RSRV2-5S	#10	5.3	12.0	11.0	34.0						
RSRV2-5L	#10	5.3									
RSRV2-6S	1/4	6.5	13.6	13.9	38.0	27.0	21.0	51.9		Lead Section:1.5~2.5mm ² (A.W.G.16~14) Max Current:Imax=27A Material:Copper Operating Temperature: 55°C~125°C Began To Shrink Temperature: 80 °C Minimum Fully Shrinkage Temperature:130°C	
RSRV2-6L	1/4	6.5									
RSRV2-8	5/16	8.5									
RSRV2-8L	5/16	8.5									
RSRV2-10	3/8	10.5	18.2	15.0	41.7						
RSRV2-10L	3/8	10.5									
RSRV2-12	1/2	13.0	27.0	21.0	51.9						
RSRV2-14	9/16	15.0									
RSRV2-16	5/8	17.0									
RSRV2-18	11/16	19.0									
RSRV2-20	3/4	21.0									

圆形热缩防水端子 Heat Shrink Ring Terminal



型号 ITEM NO.	STUD SIZE 美制螺栓号 螺栓口直径		尺寸 DIMENSION mm						包装 PCS/ PACK	颜色 COLOR	说明 EXPLANATION
	American	Metric d2	B	F	L	E	D	T			
RSRV5.5-3	#4	3.2	7.2	6.0	29.5	20.0	8.2	1.0	100	● 黄 Yellow	导线截面:4~6mm ² (美国线规12~10) 最大电流: I _{max} =48A 材质: 紫铜 操作温度: -55°C~125°C 开始收缩温度: 80°C 最低完全收缩温度: 130°C Lead Section:4~6mm ² (A.W.G.12~10) Max Current:I _{max} =48A Material:Copper Operating Temperature: 55C~125°C Began To Shrink Temperature: 80 °C Minimum Fully Shrinkage Temperature:130°C
RSRV5.5-3.5	#6	3.7									
RSRV5.5-4S	#8	4.3									
RSRV5.5-4L	#8	4.3	9.5	8.2	33.2						
RSRV5.5-5	#10	5.3									
RSRV5.5-6	1/4	6.5	12.0	10.5	36.8						
RSRV5.5-6M	1/4	6.5		13.0	39.2						
RSRV5.5-8	5/16	8.5	15.0	13.5	41.2						
RSRV5.5-10	3/8	10.5									
RSRV5.5-12	1/2	13.0									
RSRV5.5-14	9/16	15.0	32.0	25.2	61.8						
RSRV5.5-16	5/8	17.0									
RSRV5.5-18	11/16	19.0									
RSRV5.5-20	3/4	21.0									

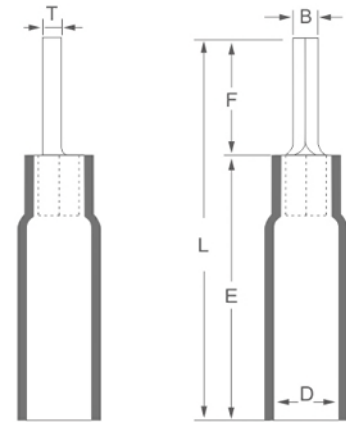
片形热缩防水端子 Heat Shrink Blade Terminal



型号 ITEM NO.	尺寸 DIMENSION mm						包装 PCS/ PACK	颜色 COLOR	说明 EXPLANATION
	B	F	L	E	D	T			
RSDB1.25-10	2.3	10.0	28.8	19.0	6.0	0.7	100	● 红 Red	导线截面:0.5~1.5mm ² (美国线规22~16) 最大电流:Imax=19A 材质:紫铜 操作温度:-55°C~125°C 开始收缩温度:80°C 最低完全收缩温度:130°C Lead Section:0.5~1.5mm ² (A.W.G.22~16) Max Current:Imax=19A Material:Copper Operating Temperature:55°C~125°C Began To Shrink Temperature:80 °C Minimum Fully Shrinkage Temperature:130°C
RSDB1.25-11	3.0	11.0	29.8						
RSDB1.25-14S	2.4	14.0	32.8						
RSDB1.25-14L	3.0								
RSDB1.25-18	2.3	18.0	36.8						
RSDB2-9	2.8	9.0	27.8	19.0	7.2	0.8	100	● 蓝 Blue	导线截面:1.5~2.5mm ² (美国线规16~14) 最大电流:Imax=27A 材质:紫铜 操作温度:-55°C~125°C 开始收缩温度:80°C 最低完全收缩温度:130°C Lead Section:1.5~2.5mm ² (A.W.G.16~14) Max Current:Imax=27A Material:Copper Operating Temperature:55°C~125°C Began To Shrink Temperature:80 °C Minimum Fully Shrinkage Temperature:130°C
RSDB2-10	2.8	10.0	28.8						
RSDB2-14S	2.4	14.0	32.8						
RSDB2-14L	3.0								
RSDB2-18	2.3	18.0	36.8						
RSDB5.5-10	2.8	10.0	32.8	22.0	8.2	1.0	100	● 黄 Yellow	导线截面:4~6mm ² (美国线规12~10) 最大电流:Imax=48A 材质:紫铜 操作温度:-55°C~125°C 开始收缩温度:80°C 最低完全收缩温度:130°C Lead Section:4~6mm ² (A.W.G.12~10) Max Current:Imax=48A Material:Copper Operating Temperature:55°C~125°C Began To Shrink Temperature:80 °C Minimum Fully Shrinkage Temperature:130°C
RSDB5.5-14S	3.0	14.0	36.8						
RSDB5.5-14	4.5								
RSDB5.5-18S	3.0	18.0	39.8						
RSDB5.5-18	4.5								

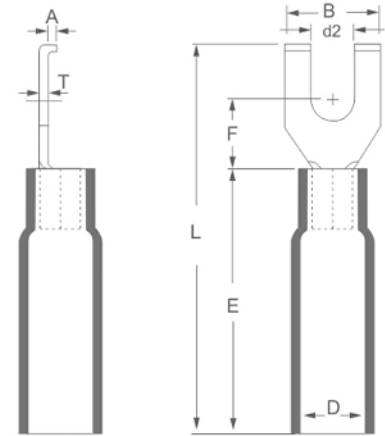
热缩端子系列
Heat Shrink Terminal Series

针形热缩防水端子 Heat Shrink Pin Terminal



型号 ITEM NO.	尺寸 DIMENSION mm						包装 PCS/ PACK	颜色 COLOR	说明 EXPLANATION
	B	F	L	E	D	T			
RSPT1.25-7	1.9	7.0	25.8	19.0	6.0	0.7	100	● 红 Red	导线截面:0.5~1.5mm ² (美国线规22~16) 最大电流: I _{max} =19A 材质:紫铜 操作温度: -55°C~125°C 开始收缩温度: 80°C 最低完全收缩温度: 130°C Lead Section:0.5~1.5mm ² (A.W.G.22~16) Max Current:I _{max} =19A Material:Copper Operating Temperature:55C~125°C Began To Shrink Temperature: 80 °C Minimum Fully Shrinkage Temperature:130°C
RSPT1.25-9		9.0	27.8						
RSPT1.25-10		10.0	28.8						
RSPT1.25-12		12.0	30.8						
RSPT1.25-13		13.0	31.8						
RSPT1.25-18		18.0	36.8						
RSPT2-8	1.9	8.0	26.8	19.0	7.2	0.8	100	● 蓝 Blue	导线截面:1.5~2.5mm ² (美国线规16~14) 最大电流: I _{max} =27A 材质:紫铜 操作温度: -55°C~125°C 开始收缩温度: 80°C 最低完全收缩温度: 130°C Lead Section:1.5~2.5mm ² (A.W.G.16~14) Max Current:I _{max} =27A Material:Copper Operating Temperature:55°C~125°C Began To Shrink Temperature: 80 °C Minimum Fully Shrinkage Temperature:130°C
RSPT2-9		9.0	27.8						
RSPT2-10		10.0	28.8						
RSPT2-12		12.0	30.8						
RSPT2-13		13.0	31.8						
RSPT2-18		18.0	36.8						
RSPT5.5-7	2.8	7.0	30.6	22.0	8.2	1.0	100	● 黄 Yellow	导线截面:4~6mm ² (美国线规12~10) 最大电流: I _{max} =48A 材质:紫铜 操作温度: -55°C~125°C 开始收缩温度: 80°C 最低完全收缩温度: 130°C Lead Section:4~6mm ² (A.W.G.12~10) Max Current:I _{max} =48A Material:Copper Operating Temperature:55C~125°C Began To Shrink Temperature: 80 °C Minimum Fully Shrinkage Temperature:130°C
RSPT5.5-10		10.0	33.6						
RSPT5.5-13		13.0	36.6						
RSPT5.5-18		18.0	40.6						

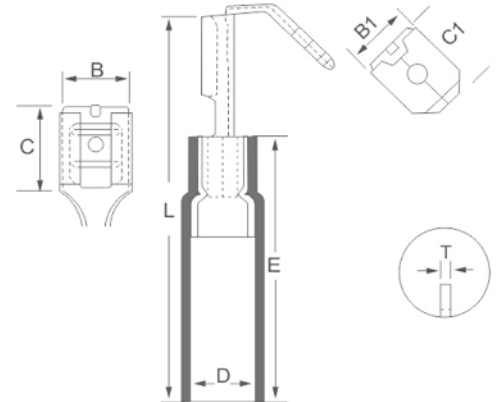
凸形热缩防水端子 Heat Shrink Convex Fork Terminal



型号 ITEM NO.	STUD SIZE 美制螺栓号 螺栓口直径		尺寸 DIMENSION mm							包装 PCS/ PACK	颜色 COLOR	说明 EXPLANATION
	American	Metric d2	B	F	L	E	D	A	T			
RSFS1.25-3	#4	3.2	7.5	5.1	25.5	16.3	6.0	1.5	0.7	100	● 红 Red	材质: 紫铜 操作温度: -55°C~125°C 开始收缩温度: 80°C 最低完全收缩温度: 130°C Material: Copper Operating Temperature: 55°C~125°C Began To Shrink Temperature: 80 °C Minimum Fully Shrinkage Temperature: 130°C
RSFS1.25-3.5	#6	3.7										
RSFS1.25-4	#8	4.3										
RSFS1.25-5	#10	5.3										
RSFS2-3.5	#6	3.7	7.5	5.2	26.7	16.8	7.2	1.5	0.8	100	● 蓝 Blue	
RSFS2-4	#8	4.3										
RSFS2-5	#10	5.3										
RSFS5.5-3.5	#6	3.7	8.5	7.5	34.3	21.6	8.2	1.5	1.0	100	● 黄 Yellow	
RSFS5.5-4	#8	4.3										
RSFS5.5-5	#10	5.3										

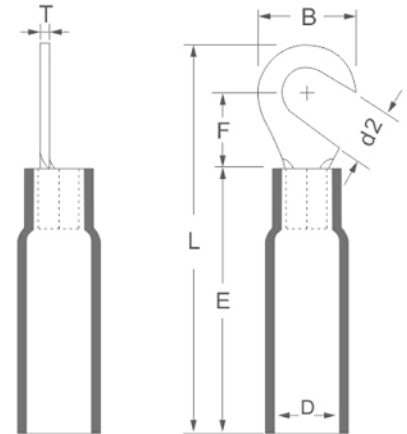
热缩端子系列
Heat Shrink Terminal Series

肩背形 (公母) 热缩防水接头 Heat Shrink Piggy Male & Female Connector



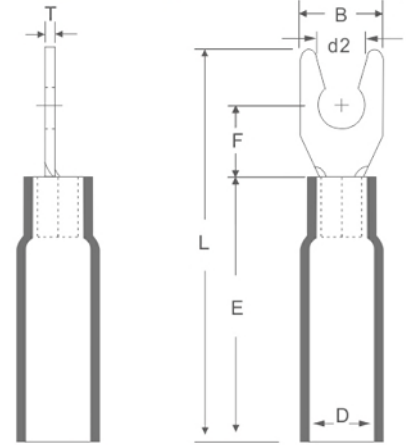
型号 ITEM NO.	接插规格 Nema Tab	尺寸 DIMENSION mm								包装 PCS/ PACK	颜色 COLOR	说明 EXPLANATION
		B	B1	L	C	C1	E	D	T			
RSPB1.25-250	0.8×6.35	6.6	6.3	30.8	8.1	8.3	17.0	4.8	0.4	100	● 红 Red	材质: 黄铜 操作温度: -55°C~125°C 开始收缩温度: 80°C 最低完全收缩温度: 130°C Material: Brass Operating Temperature: 55°C~125°C Began To Shrink Temperature: 80 °C Minimum Fully Shrinkage Temperature: 130°C
RSPB2-250	0.8×6.35	6.6	6.3	30.8	8.1	8.3	17.5	5.8	0.4	100	● 蓝 Blue	
RSPB5.5-250	0.8×6.35	6.6	6.3	32.8	8.1	8.3	20.6	6.8	0.4	100	● 黄 Yellow	

钩形热缩防水端子 Heat Shrink Hook Terminal



型号 ITEM NO.	STUD SIZE 美制螺栓号 螺栓口直径		尺寸 DIMENSION mm						包装 PCS/ PACK	颜色 COLOR	说明 EXPLANATION
	American	Metric d2	B	F	L	E	D	T			
RSHV1.25-3.5	#6	3.7	8.0	7.0	27.3	16.3	6.0	0.7	100	红 Red	导线截面:0.5~1.5mm ² (美国线规22~16) 最大电流: I _{max} =19A 材质: 紫铜 操作温度: -55°C~125°C 开始收缩温度: 80°C 最低完全收缩温度: 130°C Lead Section:0.5~1.5mm ² (A.W.G.22~16) Max Current:I _{max} =19A Material:Copper Operating Temperature:55C~125°C Began To Shrink Temperature: 80 °C Minimum Fully Shrinkage Temperature:130°C
RSHV1.25-4	#8	4.3									
RSHV1.25-5	#10	5.3									
RSHV1.25-6	1/4	6.5	11.6	11.0	33.3	16.8	6.6	0.8	100	蓝 Blue	导线截面:1.5~2.5mm ² (美国线规16~14) 最大电流: I _{max} =27A 材质: 紫铜 操作温度: -55°C~125°C 开始收缩温度: 80°C 最低完全收缩温度: 130°C Lead Section:1.5~2.5mm ² (A.W.G.16~14) Max Current:I _{max} =27A Material:Copper Operating Temperature:55°C~125°C Began To Shrink Temperature: 80 °C Minimum Fully Shrinkage Temperature:130°C
RSHV2-3.5	#6	3.7	8.5	7.4	28.8						
RSHV2-4	#8	4.3	9.5	7.3	28.8						
RSHV2-5	#10	5.3									
RSHV2-6	1/4	6.5	12.0	11.0	33.8	21.6	8.2	1.0	500	黄 Yellow	导线截面:4~6mm ² (美国线规12~10) 最大电流: I _{max} =48A 材质: 紫铜 操作温度: -55°C~125°C 开始收缩温度: 80°C 最低完全收缩温度: 130°C Lead Section:4~6mm ² (A.W.G.12~10) Max Current:I _{max} =48A Material:Copper Operating Temperature:55C~125°C Began To Shrink Temperature: 80 °C Minimum Fully Shrinkage Temperature:130°C
RSHV5.5-3.5	#6	3.7	7.2	6.2	30.3						
RSHV5.5-4	#8	4.3	9.5	9.5	34.4						
RSHV5.5-5	#10	5.3									
RSHV5.5-6	1/4	6.5	12.0	10.3	37.1						
RSHV5.5-8	5/16	8.5	15.0	13.5	41.6						

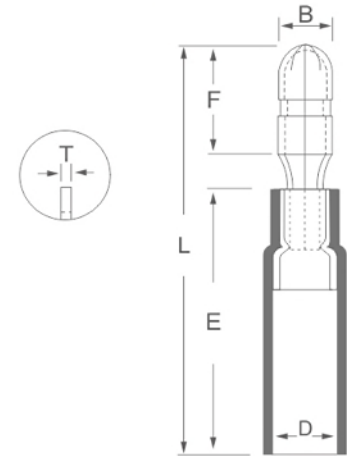
锁扣形热缩防水端子 Heat Shrink Lock Fork Terminal



型号 ITEM NO.	STUD SIZE 美制螺栓号 螺栓口直径		尺寸 DIMENSION mm						包装 PCS/ PACK	颜色 COLOR	说明 EXPLANATION
	American	Metric d2	B	F	L	E	D	T			
RSL1.25-3.5	#6	3.7	6.4	6.5	27.5	16.3	6.0	0.7	100	● 红 Red	导线截面:0.5~1.5mm ² (美国线规22~16) 最大电流: I _{max} =19A 材质:紫铜 操作温度:-55°C~125°C 开始收缩温度:80°C 最低完全收缩温度:130°C Lead Section:0.5~1.5mm ² (A.W.G.22~16) Max Current:I _{max} =19A Material:Copper Operating Temperature:55°C~125°C Began To Shrink Temperature:80°C Minimum Fully Shrinkage Temperature:130°C
RSL1.25-4S	#8	4.3	7.2								
RSL1.25-4L	#8	4.3	8.1								
RSL1.25-5S	#10	5.3	8.1								
RSL1.25-5L	#10	5.3	9.5								
RSL2-3.5S	#6	3.7	6.0	6.5	28.0	16.8	6.6	0.8	100	● 蓝 Blue	导线截面:1.5~2.5mm ² (美国线规16~14) 最大电流: I _{max} =27A 材质:紫铜 操作温度:-55°C~125°C 开始收缩温度:80°C 最低完全收缩温度:130°C Lead Section:1.5~2.5mm ² (A.W.G.16~14) Max Current:I _{max} =27A Material:Copper Operating Temperature:55°C~125°C Began To Shrink Temperature:80°C Minimum Fully Shrinkage Temperature:130°C
RSL2-4S	#8	4.3	7.2								
RSL2-4L	#8	4.3	8.1								
RSL2-5S	#10	5.3	8.1								
RSL2-5L	#10	5.3	9.3								
RSL5.5-3.5	#6	3.7	8.3	7.0	32.8	20.6	8.2	1.0	100	● 黄 Yellow	导线截面:4~6mm ² (美国线规12~10) 最大电流: I _{max} =48A 材质:紫铜 操作温度:-55°C~125°C 开始收缩温度:80°C 最低完全收缩温度:130°C Lead Section:4~6mm ² (A.W.G.12~10) Max Current:I _{max} =48A Material:Copper Operating Temperature:55°C~125°C Began To Shrink Temperature:80°C Minimum Fully Shrinkage Temperature:130°C
RSL5.5-4	#8	4.3	8.3								
RSL5.5-5	#10	5.3	9.0								
RSL5.5-6	1/4	6.5	12.0								

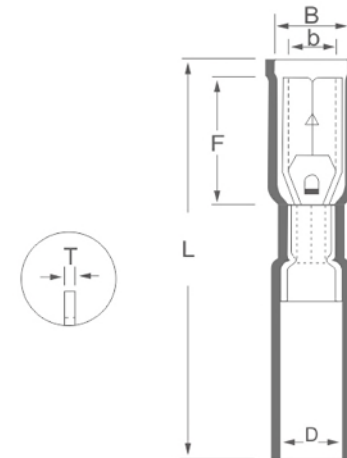
Heat Shrink
Terminal Series
热缩端子系列

子弹形 (公) 热缩防水接头 Heat Shrink Male Bullet Connector



型号 ITEM NO.	尺寸 DIMENSION mm						包装 PCS/ PACK	颜色 COLOR	说明 EXPLANATION
	B	F	L	E	D	T			
RSMP1.25-156	4.0	9.0	29.3	16.5	3.8	0.4	100	材质: 黄铜 操作温度: -55°C~125°C 开始收缩温度: 80°C 最低完全收缩温度: 130°C Material: Brass Operating Temperature: 55°C~125°C Began To Shrink Temperature: 80 °C Minimum Fully Shrinkage Temperature: 130°C	
RSMP2-156	4.0		29.5	16.5	4.3				
RSMP2-195	5.0		29.5	17.0	4.3				
RSMP5.5-156	4.0		31.8	20.3	5.6				
RSMP5.5-195	5.0		31.8	20.3	5.6				

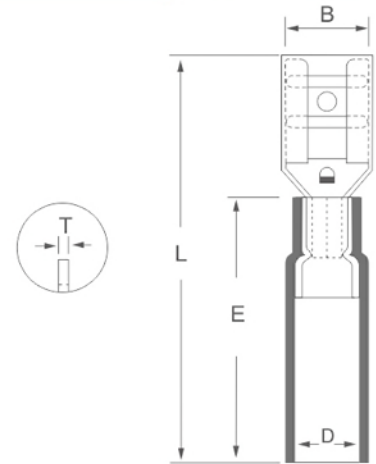
子弹形 (母) 热缩防水接头 Fully Heat Shrink Female Bullet Connector



型号 ITEM NO.	尺寸 DIMENSION mm						包装 PCS/ PACK	颜色 COLOR	说明 EXPLANATION
	B	F	L	b	D	T			
RSFR1.25-156	5.2	13.0	30.5	3.9	4.8	0.4	100	材质: 黄铜 操作温度: -55°C~125°C 开始收缩温度: 80°C 最低完全收缩温度: 130°C Material: Brass Operating Temperature: 55°C~125°C Began To Shrink Temperature: 80 °C Minimum Fully Shrinkage Temperature: 130°C	
RSFR2-156	5.2	14.0	30.5	3.9	5.8				
RSFR2-195	6.2	14.0	30.5	4.9	5.8				
RSFR5.5-156	5.2	14.0	30.5	3.9	6.8				
RSFR5.5-195	6.2	14.0	30.5	4.9	6.8				

热缩端子系列
Heat Shrink
Terminal Series

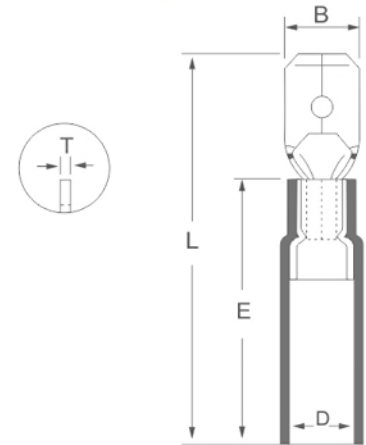
(母) 热缩防水接头
Heat Shrink
Female Connector



型号 ITEM NO.	接插规格 Nema Tab	尺寸 DIMENSION mm					包装 PCS/ PACK	颜色 COLOR	说明 EXPLANATION
		B	L	E	D	T			
RSFD1.25-110(5)	0.5×2.8	3.3	27.3	19.0	3.8	0.35	100	● 红Red	导线截面:0.5~1.5mm ² (美国线规22~16) 最大电流: I _{max} =19A 材质: 黄铜 操作温度: -55℃~125℃ 开始收缩温度: 80℃ 最低完全收缩温度: 130℃ Lead Section:0.5~1.5mm ² (A.W.G.22~16) Max Current:I _{max} =19A Material:Brass Operating Temperature:55C~125℃ Began To Shrink Temperature: 80 °C Minimum Fully Shrinkage Temperature:130℃
RSFD1.25-110(8)	0.8×2.8								
RSFD1.25-187(5)	0.5×4.75								
RSFD1.25-187(8)	0.8×4.75								
RSFD1.25-205	0.5×5.2								
RSFD1.25-250	0.8×6.35								
RSFD1.25-312	0.8×8.0								
RSFD2-110(5)	0.5×2.8	3.3	27.3	19.0	4.3	0.35	100	● 蓝Blue	导线截面:1.5~2.5mm ² (美国线规16~14) 最大电流: I _{max} =27A 材质:黄铜 操作温度: -55℃~125℃ 开始收缩温度: 80℃ 最低完全收缩温度: 130℃ Lead Section:1.5~2.5mm ² (A.W.G.16~14) Max Current:I _{max} =27A Material:Brass Operating Temperature:55℃~125℃ Began To Shrink Temperature: 80 °C Minimum Fully Shrinkage Temperature:130℃
RSFD2-110(8)	0.8×2.8								
RSFD2-187(5)	0.5×4.75								
RSFD2-187(8)	0.8×4.75								
RSFD2-205	0.5×5.2								
RSFD2-250	0.8×6.35								
RSFD2-312	0.8×8.0								
RSFD2-375	1.2×9.4	9.9	36.4	0.5					
RSFD5.5-110(5)	0.5×2.8	3.3	29.8	22.0	5.7	0.35	100	● 黄Yellow	导线截面:4~6mm ² (美国线规12~10) 最大电流: I _{max} =48A 材质: 黄铜 操作温度: -55℃~125℃ 开始收缩温度: 80℃ 最低完全收缩温度: 130℃ Lead Section:4~6mm ² (A.W.G.12~10) Max Current:I _{max} =48A Material:Brass Operating Temperature:55C~125℃ Began To Shrink Temperature: 80 °C Minimum Fully Shrinkage Temperature:130℃
RSFD5.5-110(8)	0.8×2.8								
RSFD5.5-187(5)	0.5×4.75								
RSFD5.5-187(8)	0.8×4.75								
RSFD5.5-250	0.8×6.35								
RSFD5.5-312	0.8×8.0								
RSFD5.5-375	1.2×9.4	9.9	38.4						

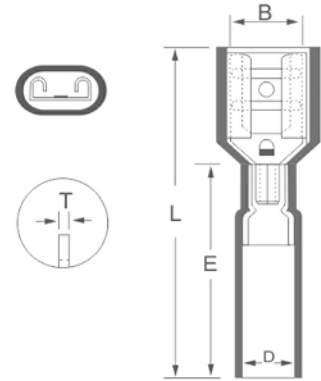
热缩端子系列
Heat Shrink
Terminal Series

(公) 热缩防水接头
Heat Shrink Male Connector



型号 ITEM NO.	接插规格 Nema Tab	尺寸 DIMENSION mm					包装 PCS/ PACK	颜色 COLOR	说明 EXPLANATION
		B	L	E	D	T			
RSMD1.25-110(5)	0.5×2.8	2.8	26.5	19.0	4.8	0.5	100	● 红Red	导线截面:0.5~1.5mm ² (美国线规22~16) 最大电流:Imax=19A 材质:黄铜 操作温度:-55°C~125°C 开始收缩温度:80°C 最低完全收缩温度:130°C
RSMD1.25-110(8)	0.8×2.8					0.8			
RSMD1.25-187(5)	0.5×4.75	4.75	28.8			0.5			
RSMD1.25-187(8)	0.8×4.75					0.4×2			
RSMD1.25-187(8L)	0.8×4.75	4.75	28.8			0.8			
RSMD1.25-250	0.8×6.35	6.35	29.8			0.4×2			
RSMD2-110(5)	0.5×2.8	2.8	26.5	19.0	5.8	0.5	100	● 蓝Blue	导线截面:1.5~2.5mm ² (美国线规16~14) 最大电流:Imax=27A 材质:黄铜 操作温度:-55°C~125°C 开始收缩温度:80°C 最低完全收缩温度:130°C
RSMD2-110(8)	0.8×2.8					0.8			
RSMD2-187(5)	0.5×4.75	4.75	28.8			0.5			
RSMD2-187(8)	0.8×4.75					0.4×2			
RSMD2-187(8L)	0.8×4.75	4.75	28.8			0.8			
RSMD2-250	0.8×6.35	6.35	29.8			0.4×2			
RSMD5.5-110(5)	0.5×2.8	2.8	28.8	22.0	6.8	0.5	100	● 黄Yellow	导线截面:4~6mm ² (美国线规12~10) 最大电流:Imax=48A 材质:黄铜 操作温度:-55°C~125°C 开始收缩温度:80°C 最低完全收缩温度:130°C
RSMD5.5-110(8)	0.8×2.8					0.8			
RSMD5.5-187(5)	0.5×4.75	4.75	30.8			0.5			
RSMD5.5-187(8)	0.8×4.75					0.4×2			
RSMD5.5-250	0.8×6.35	6.35	31.8			0.4×2			

(母) 全绝缘热缩防水接头
Fully Heat Shrink
Female Connector



型号 ITEM NO.	接插规格 Nema Tab	尺寸 DIMENSION mm						包装 PCS/ PACK	颜色 COLOR	说明 EXPLANATION		
		B	L	E	D	d1	T					
RSFF1.25-110(5)	0.5×2.8	3.3	26.0	19.0	4.8	1.7	0.3	100	● 红Red	导线截面:0.5~1.5mm ² (美国线规22~16) 最大电流: I _{max} =19A 材质: 黄铜 操作温度: -55℃~125℃ 开始收缩温度: 80℃ 最低完全收缩温度: 130℃ Lead Section:0.5~1.5mm ² (A.W.G.22~16) Max Current:I _{max} =19A Material:Brass Operating Temperature:55℃~125℃ Began To Shrink Temperature: 80℃ Minimum Fully Shrinkage Temperature:130℃		
RSFF1.25-110(8)	0.8×2.8										0.35	
RSFF1.25-187(5)	0.5×4.75	5.0					0.35					
RSFF1.25-187(8)	0.8×4.75										6.5	0.4
RSFF1.25-205	0.5×5.2	6.6					28.0					
RSFF1.25-250	0.8×6.35										26.0	19.0
RSFF2-110(5)	0.5×2.8	3.3	0.3									
RSFF2-110(8)	0.8×2.8			5.0	0.35							
RSFF2-187(5)	0.5×4.75	6.5	0.4									
RSFF2-187(8)	0.8×4.75			6.6	28.0	0.4						
RSFF2-205	0.5×5.2	6.6	28.0				0.4					
RSFF2-250	0.8×6.35			6.6	28.0	0.4						
RSFF5.5-250	0.8×6.35	6.6	28.0				22.0	6.8	3.4	0.4	100	● 黄Yellow

Heat Shrink
Terminal Series
热缩端子系列



双压式绝缘端子(PVC)系列

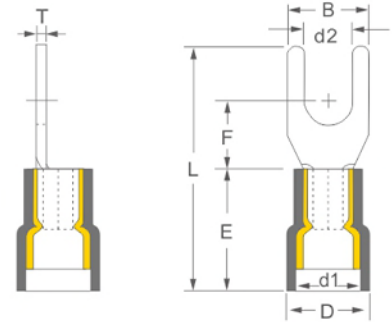
PVC-Insulated

Double Crimp Terminal Series



双压式绝缘端子(PVC)系列
PVC-Insulated Double
Crimp Terminal Series

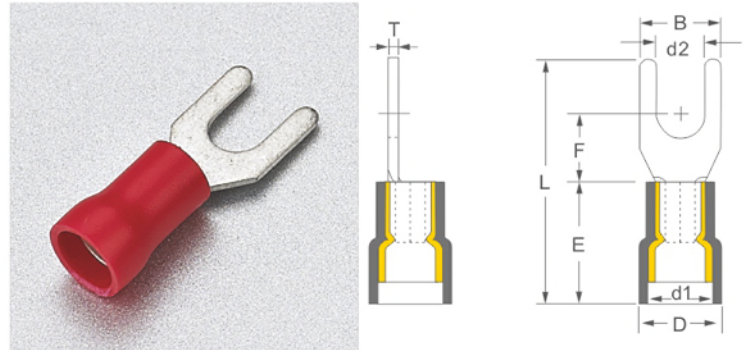
叉形 (双压式) 绝缘端子
PVC-Insulated
Double Crimp Fork Terminal



型号 ITEM NO.	STUD SIZE 美制螺栓号 螺栓口直径		尺寸 DIMENSION mm							包装 PCS/ PACK	颜色 COLOR	说明 EXPLANATION
	American	Metric d2	B	F	L	E	D	d1	T			
SVD1.25-3	#4	3.2	5.7	6.5	21.5	10.3	6.6	5.2	0.7	1000	● 红 Red	导线截面:0.5~1.5mm ² (美国线规22~16) 最大电流: I _{max} =19A 材质:紫铜 绝缘套管: PVC 绝缘套管加铜套
SVD1.25-3.5S	#6	3.7										
SVD1.25-3.5L	#6	3.7	6.4									
SVD1.25-4S	#8	4.3										
SVD1.25-4M	#8	4.3	7.2									
SVD1.25-4L	#8	4.3										
SVD1.25-5S	#10	5.3	8.1									
SVD1.25-5L	#10	5.3										
SVD1.25-6S	1/4	6.5	9.5									
SVD1.25-6L	1/4	6.5										
SVD1.25-8	5/16	8.5	14.0	12.0	28.7							
SVD2-3	#4	3.2	5.7	6.5	21.5	10.3	7.2	5.8	0.8	1000	● 蓝 Blue	导线截面:1.5~2.5mm ² (美国线规16~14) 最大电流: I _{max} =27A 材质:紫铜 绝缘套管: PVC 绝缘套管加铜套
SVD2-3.5S	#6	3.7										
SVD2-3.5L	#6	3.7	6.5									
SVD2-4S	#8	4.3										
SVD2-4M	#8	4.3	7.2									
SVD2-4L	#8	4.3										
SVD2-5S	#10	5.3	8.2									
SVD2-5L	#10	5.3										
SVD2-6S	1/4	6.5	9.5									
SVD2-6L	1/4	6.5										
SVD2-8	5/16	8.5	14.0	12.5	28.7							

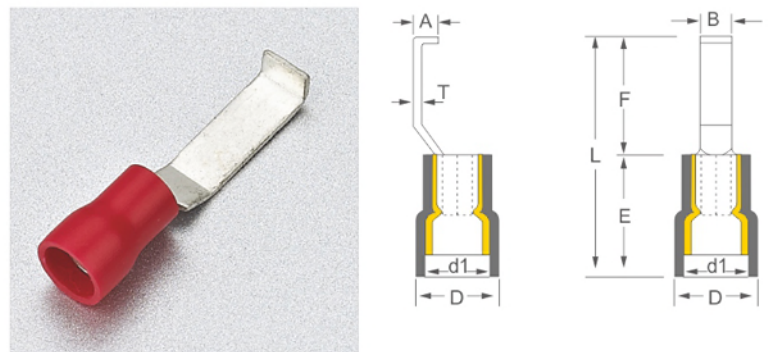
PVC-Insulated Double Crimp Terminal Series 叉形绝缘端子系列

叉形 (双压式) 绝缘端子
PVC-Insulated
Double Crimp Fork Terminal



型号 ITEM NO.	STUD SIZE 美制螺栓号 螺栓口直径		尺寸 DIMENSION mm							包装 PCS/ PACK	颜色 COLOR	说明 EXPLANATION
	American	Metric d2	B	F	L	E	D	d1	T			
SVD5.5-3	#4	3.2	8.3	7.5	26.0	13.3	8.5	6.8	1.0	500	● 黄 Yellow	导线截面:4~6mm ² (美国线规12~10) 最大电流: I _{max} =48A 材质:紫铜 绝缘套管: PVC 绝缘套管加铜套 Lead Section: 4~6mm ² (A.W. G.12-10) Max Current:I _{max} =48A Material:Copper Insulation: PVC Copper Tube with Sleeve
SVD5.5-3.5	#6	3.7										
SVD5.5-4S	#8	4.3										
SVD5.5-4L	#8	4.3	8.9	26.5								
SVD5.5-5	#10	5.3	9.0	26.0								
SVD5.5-6S	1/4	6.5	12.0	31.6								
SVD5.5-6L	1/4	6.5										
SVD5.5-8	5/16	8.5										
SVD5.5-10	3/8	10.5	17.5	12.5	33.5							

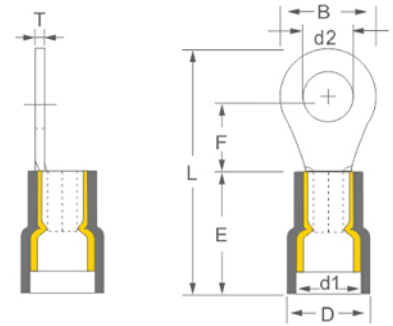
凹形 (双压式) 绝缘端子
PVC-Insulated
Double Crimp Convex Blade Terminal



双压式绝缘端子系列
PVC-Insulated Double
Crimp Terminal Series

型号 ITEM NO.	尺寸 DIMENSION mm								包装 PCS/ PACK	颜色 COLOR	说明 EXPLANATION
	B	F	L	E	D	d1	T	A			
LBD1.25-3	3.0	17.0	27.7	10.3	6.6	5.2	0.7	2.1	100	● 红 Red	材质:紫铜 绝缘套管加铜套 Material:Copper Copper Tube with Sleeve
LBD1.25-4.6	4.6										
LBD2-3	3.0	17.0	27.7	10.3	7.2	5.8	0.8	2.1	100	● 蓝 Blue	
LBD2-4.6	4.6										
LBD5.5-3	3.0	17.5	30.7	13.3	8.5	6.8	1.0	2.75	100	● 黄 Yellow	
LBD5.5-4.6	4.6										

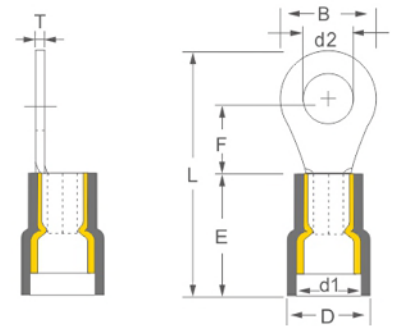
圆形（双压式）绝缘端子
PVC-Insulated
Double Crimp Ring Terminal



型号 ITEM NO.	STUD SIZE 美制螺栓号 螺栓口直径		尺寸 DIMENSION mm							包装 PCS/ PACK	颜色 COLOR	说明 EXPLANATION
	American	Metric d2	B	F	L	E	D	d1	T			
RVD1.25-3	#4	3.2	5.7	5.0	18.3	10.3	6.6	5.2	0.7	1000	● 红 Red	导线截面:0.5~1.5mm ² (美国线规22~16) 最大电流: I _{max} =19A 材质:紫铜 绝缘套管: PVC 绝缘套管加铜套
RVD1.25-3.5S	#6	3.7										
RVD1.25-3.5M	#6	3.7	6.6	6.3	20.0							
RVD1.25-3.5L	#6	3.7	8.0	7.0	21.3							
RVD1.25-4S	#8	4.3	6.6	6.3	20.0							
RVD1.25-4L	#8	4.3	8.0	7.0	21.3							
RVD1.25-5S	#10	5.3										
RVD1.25-5L	#10	5.3	9.5	7.5	22.5							
RVD1.25-5LL	#10	5.3	11.6	11.3	27.3							
RVD1.25-6S	1/4	6.5	9.5	7.5	22.5							
RVD1.25-6L	1/4	6.5	11.6	11.3	27.3							
RVD1.25-8	5/16	8.5										
RVD1.25-8L	5/16	8.5	13.7	13.9	31.2							
RVD1.25-10	3/8	10.5										
RVD1.25-10L	3/8	10.5	18.0	15.0	34.3							
RVD1.25-12	1/2	13.0										
RVD1.25-14	9/16	15.0	27.0	21.0	44.8	500						
RVD1.25-16	5/8	17.0										
RVD1.25-18	11/16	19.0										
RVD1.25-20	3/4	21.0										

PVC-Insulated Double Crimp Terminal Series 双压式绝缘端子系列

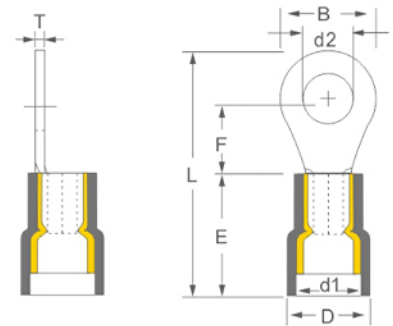
圆形（双压式）绝缘端子
PVC-Insulated
Double Crimp Ring Terminal



型号 ITEM NO.	STUD SIZE 美制螺栓号 螺栓口直径		尺寸 DIMENSION mm							包装 PCS/ PACK	颜色 COLOR	说明 EXPLANATION
	American	Metric d2	B	F	L	E	D	d1	T			
RVD2-3	#4	3.2	6.6	4.3	17.8	10.3	7.2	5.8	0.8	1000	● 蓝 Blue	导线截面:1.5~2.5mm ² (美国线规16~14) 最大电流: I _{max} =27A 材质:紫铜 绝缘套管: PVC 绝缘套管加铜套
RVD2-3.5S	#6	3.7		6.3	19.8							
RVD2-3.5M	#6	3.7		7.4	21.8							
RVD2-3.5L	#6	3.7	8.5	22.3								
RVD2-4S	#8	4.3	6.6	6.3	19.8							
RVD2-4L	#8	4.3	8.5	21.8								
RVD2-5S	#10	5.3	9.5	7.4	22.3							
RVD2-5L	#10	5.3										
RVD2-6S	1/4	6.5										
RVD2-6L	1/4	6.5	12.0	11.0	26.8							
RVD2-8	5/16	8.5	13.6	13.9	30.8							
RVD2-8L	5/16	8.5										
RVD2-10	3/8	10.5										
RVD2-10L	3/8	10.5	18.2	15.0	34.6							
RVD2-12	1/2	13.0	27.0	21.0	44.6							
RVD2-14	9/16	15.0										
RVD2-16	5/8	17.0										
RVD2-18	11/16	19.0										
RVD2-20	3/4	21.0										

双压式绝缘端子RVD系列
PVC-Insulated Double
Crimp Terminal Series

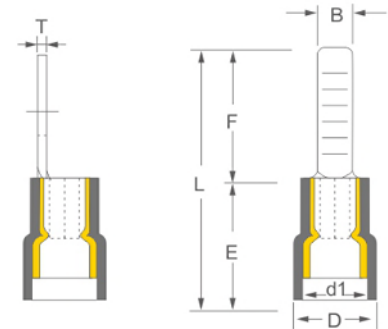
圆形（双压式）绝缘端子
PVC-Insulated
Double Crimp Ring Terminal



型号 ITEM NO.	STUD SIZE 美制螺栓号 螺栓口直径		尺寸 DIMENSION mm							包装 PCS/ PACK	颜色 COLOR	说明 EXPLANATION	
	American	Metric d2	B	F	L	E	D	d1	T				
RVD5.5-3	#4	3.2	7.2	6.0	22.9	13.3	8.5	6.8	1.0	500	● 黄 Yellow	导线截面:4~6mm ² (美国线规12~10) 最大电流: I _{max} =48A 材质:紫铜 绝缘套管: PVC 绝缘套管加铜套	
RVD5.5-3.5	#6	3.7											
RVD5.5-4S	#8	4.3											
RVD5.5-4L	#8	4.3	9.5	8.2	26.2								
RVD5.5-5	#10	5.3											
RVD5.5-6	1/4	6.5	12.0	10.5	29.6								
RVD5.5-6M	1/4	6.5		13.0	32.0								
RVD5.5-8	5/16	8.5	15.0	13.5	34.0								
RVD5.5-10	3/8	10.5											
RVD5.5-12	1/2	13.0											19.2
RVD5.5-14	9/16	15.0	32.0	25.2	54.3								200
RVD5.5-16	5/8	17.0											
RVD5.5-18	11/16	19.0											
RVD5.5-20	3/4	21.0											

PVC-Insulated Double Crimp Terminal Series 双压式绝缘端子系列

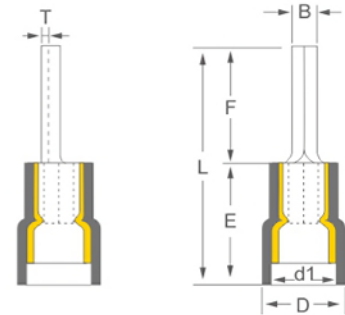
片形 (双压式) 绝缘端子
PVC-Insulated
Double Crimp Blade Terminal



型号 ITEM NO.	尺寸 DIMENSION mm							包装 PCS/ PACK	颜色 COLOR	说明 EXPLANATION
	B	F	L	E	D	d1	T			
DBD1.25-10	2.3	10.0	20.3	10.3	6.6	5.2	0.7	1000	● 红 Red	导线截面:0.5~1.5mm ² (美国线规22~16) 最大电流: I _{max} =19A 材质:紫铜 绝缘套管: PVC 绝缘套管加铜套
DBD1.25-11	3.0	11.0	21.3							
DBD1.25-14S	2.4	14.0	24.3							
DBD1.25-14L	3.0									
DBD1.25-18	2.3	18.0	28.3							
DBD2-9	2.8	9.0	19.3	10.3	7.2	5.8	0.8	1000	● 蓝 Blue	导线截面:1.5~2.5mm ² (美国线规16~14) 最大电流: I _{max} =27A 材质:紫铜 绝缘套管: PVC 绝缘套管加铜套
DBD2-10	2.8	10.0	20.3							
DBD2-14S	2.4	14.0	24.3							
DBD2-14L	3.0									
DBD2-18	2.3	18.0	28.3							
DBD5.5-10	2.8	10.0	23.3	13.3	8.5	6.8	1.0	500	● 黄 Yellow	导线截面:4~6mm ² (美国线规12~10) 最大电流: I _{max} =48A 材质:紫铜 绝缘套管: PVC 绝缘套管加铜套
DBD5.5-14S	3.0	14.0	27.3							
DBD5.5-14	4.5									
DBD5.5-18S	3.0	18.0	31.3							
DBD5.5-18	4.5									

双压式绝缘端子系列
PVC-Insulated Double
Crimp Terminal Series

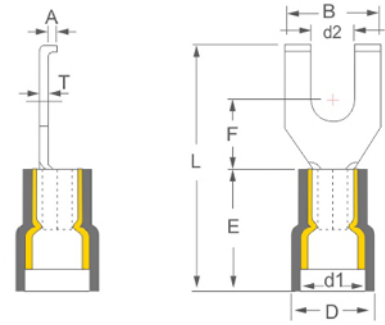
针形 (双压式) 绝缘端子
PVC-Insulated
Double Crimp Pin Terminal



型号 ITEM NO.	尺寸 DIMENSION mm							包装 PCS/ PACK	颜色 COLOR	说明 EXPLANATION
	B	F	L	E	D	d1	T			
PTD1.25-7	1.9	7.0	17.3	10.3	6.6	5.2	0.7	1000	● 红 Red	导线截面:0.5~1.5mm ² (美国线规22~16) 最大电流: I _{max} =19A 材质:紫铜 绝缘套管: PVC 绝缘套管加铜套
PTD1.25-9		9.0	19.3							
PTD1.25-10		10.0	20.3							
PTD1.25-12		12.0	22.3							
PTD1.25-13		13.0	23.3							
PTD1.25-18		18.0	28.3							
PTD2-8	1.9	8.0	17.3	10.3	7.2	5.8	0.8	1000	● 蓝 Blue	导线截面:1.5~2.5mm ² (美国线规16~14) 最大电流: I _{max} =27A 材质:紫铜 绝缘套管: PVC 绝缘套管加铜套
PTD2-9		9.0	19.3							
PTD2-10		10.0	20.3							
PTD2-12		12.0	22.3							
PTD2-13		13.0	23.3							
PTD2-18		18.0	28.3							
PTD5.5-7	2.8	7.0	20.8	13.3	8.5	6.8	1.0	500	● 黄 Yellow	导线截面:4~6mm ² (美国线规12~10) 最大电流: I _{max} =48A 材质:紫铜 绝缘套管: PVC 绝缘套管加铜套
PTD5.5-10		10.0	23.8							
PTD5.5-13		13.0	26.8							
PTD5.5-18		18.0	31.8							

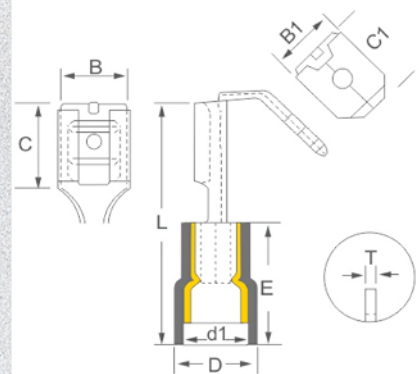
PVC-Insulated Double Crimp Terminal Series 双压式绝缘端子系列

凸形（双压式）绝缘端子 PVC-Insulated Double Crimp Convex Fork Terminal



型号 ITEM NO.	STUD SIZE 美制螺栓号 螺栓口直径		尺寸 DIMENSION mm								包装 PCS/ PACK	颜色 COLOR	说明 EXPLANATION
	American	Metric d2	B	F	L	E	D	d1	A	T			
FSD1.25-3	#4	3.2	7.5	5.1	19.5	10.3	6.6	5.2	1.5	0.7	1000	● 红 Red	导线截面:0.5~1.5mm ² (美国线规22~16) 最大电流: I _{max} =19A 材质:紫铜 绝缘套管: PVC Lead Section:0.5~1.5mm ² (A.W. G.22~16) Max Current:I _{max} =19A Material:Copper Insulation: PVC
FSD1.25-3.5	#6	3.7											
FSD1.25-4	#8	4.3											
FSD1.25-5	#10	5.3											
FSD2-3.5	#6	3.7	7.5	5.2	20.2	10.3	7.2	5.8	1.5	0.8	1000	● 蓝 Blue	导线截面:1.5~2.5mm ² (美国线规16~14) 最大电流: I _{max} =27A 材质:紫铜 绝缘套管: PVC Lead Section:1.5~2.5mm ² (A.W. G.16~14) Max Current:I _{max} =27A Material:Copper Insulation: PVC
FSD2-4	#8	4.3											
FSD2-5	#10	5.3											
FSD5.5-3.5	#6	3.7	8.5	7.5	27.0	13.3	8.5	6.8	1.5	1.0	500	● 黄 Yellow	导线截面:4~6mm ² (美国线规12~10) 最大电流: I _{max} =48A 材质:紫铜 绝缘套管: PVC Lead Section:4~6mm ² (A.W. G.12~10) Max Current:I _{max} =48A Material:Copper Insulation: PVC
FSD5.5-4	#8	4.3											
FSD5.5-5	#10	5.3											

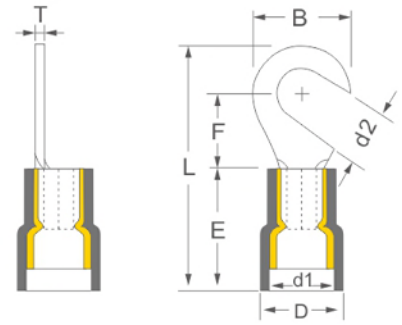
肩背形公母（双压式）绝缘接头 PVC-Insulated Double Crimp Piggy Male & Female Connector



型号 ITEM NO.	接插规格 Nema Tab	尺寸 DIMENSION mm								包装 PCS/ PACK	颜色 COLOR	说明 EXPLANATION	
		B	B1	L	C	C1	E	D	d1				T
PBDN1.25-250	0.8×6.35	6.6	6.3	22.5	8.1	8.3	10.5	5.8	4.3	0.4	500	● 红 Red	导线截面:0.5~1.5mm ² 材质:黄铜 绝缘套管: PVC Lead Section:0.5~1.5mm ² Material:Brass Insulation: PVC
PBDN2-250	0.8×6.35	6.6	6.3	22.5	8.1	8.3	10.7	6.5	4.8	0.4	500	● 蓝 Blue	导线截面:1.5~2.5mm ² 材质:黄铜 绝缘套管: PVC Lead Section:1.5~2.5mm ² Material:Brass Insulation: PVC
PBDN5.5-250	0.8×6.35	6.6	6.3	24.0	8.1	8.3	13.4	7.7	6.0	0.4	500	● 黄 Yellow	导线截面:4~6mm ² 材质:黄铜 绝缘套管: PVC Lead Section:4~6mm ² Material:Brass Insulation: PVC

双压式绝缘端子系列
PVC-Insulated Double
Crimp Terminal Series

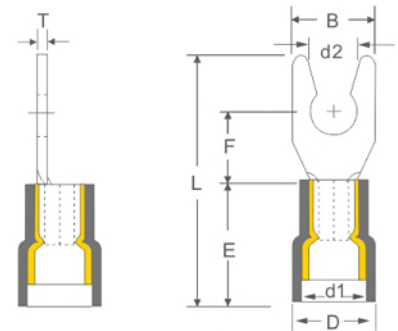
钩形 (双压式) 绝缘端子 PVC-Insulated Double Crimp Hook Terminal



型号 ITEM NO.	STUD SIZE 美制螺栓号 螺栓口直径		尺寸 DIMENSION mm							包装 PCS/ PACK	颜色 COLOR	说明 EXPLANATION
	American	Metric d2	B	F	L	E	D	d1	T			
HVD1.25-3.5	#6	3.7	8.0	7.0	21.3	10.3	6.6	5.2	0.7	1000	● 红 Red	导线截面:0.5~1.5mm ² (美国线规22~16) 最大电流: I _{max} =19A 材质:紫铜 绝缘套管: PVC 绝缘套管加铜套
HVD1.25-4	#8	4.3										
HVD1.25-5	#10	5.3										
HVD1.25-6	1/4	6.5	11.6	11.0	27.3	10.3	7.2	5.8	0.8	1000	● 蓝 Blue	Lead Section:0.5~1.5mm ² (A.W. G.22~16) Max Current:I _{max} =19A Material:Copper Insulation: PVC Copper Tube with Sleeve
HVD2-3.5	#6	3.7	8.5	7.4	22.3							
HVD2-4	#8	4.3										
HVD2-5	#10	5.3	9.5	7.3	22.3							
HVD2-6	1/4	6.5	12.0	11.0	27.3	13.3	8.5	6.8	1.0	500	● 黄 Yellow	Lead Section:1.5~2.5mm ² (A.W. G.16~14) Max Current:I _{max} =27A Material:Copper Insulation: PVC Copper Tube with Sleeve
HVD5.5-3.5	#6	3.7	7.2	6.2	23.0							
HVD5.5-4	#8	4.3										
HVD5.5-5	#10	5.3	9.5	9.5	27.1							
HVD5.5-6	1/4	6.5										12.0
HVD5.5-8	5/16	8.5	15.0	13.5	34.3							

 PVC-Insulated Double
Crimp Terminal Series
钩形绝缘端子系列

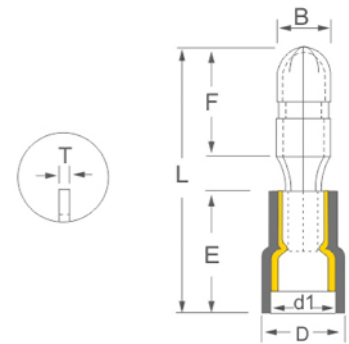
锁扣形 (双压式) 绝缘端子 PVC-Insulated Double Crimp Lock Fork Terminal



型号 ITEM NO.	STUD SIZE 美制螺栓号 螺栓口直径		尺寸 DIMENSION mm							包装 PCS/ PACK	颜色 COLOR	说明 EXPLANATION
	American	Metric d2	B	F	L	E	D	d1	T			
LSND1.25-3.5	#6	3.7	6.4	6.5	21.5	10.3	6.6	5.2	0.7	1000	● 红 Red	导线截面:0.5~1.5mm ² (美国线规22~16) 最大电流: I _{max} =19A 材质:紫铜 绝缘套管: PVC 绝缘套管加铜套
LSND1.25-4S	#8	4.3	7.2									
LSND1.25-4L	#8	4.3	8.1									
LSND1.25-5S	#10	5.3										
LSND1.25-5L	#10	5.3	9.5									
LSND2-3.5S	#6	3.7	6.0	6.5	21.5	10.3	7.2	5.8	0.8	1000	● 蓝 Blue	导线截面:1.5~2.5mm ² (美国线规16~14) 最大电流: I _{max} =27A 材质:紫铜 绝缘套管: PVC 绝缘套管加铜套
LSND2-4S	#8	4.3	7.2									
LSND2-4L	#8	4.3	8.1									
LSND2-5S	#10	5.3										
LSND2-5L	#10	5.3	9.3									
LSND5.5-3.5	#6	3.7	8.3	7.0	25.5	13.3	8.5	6.8	1.0	500	● 黄 Yellow	导线截面:4~6mm ² (美国线规12~10) 最大电流: I _{max} =48A 材质:紫铜 绝缘套管: PVC 绝缘套管加铜套
LSND5.5-4	#8	4.3										
LSND5.5-5	#10	5.3										9.0
LSND5.5-6	1/4	6.5										12.0

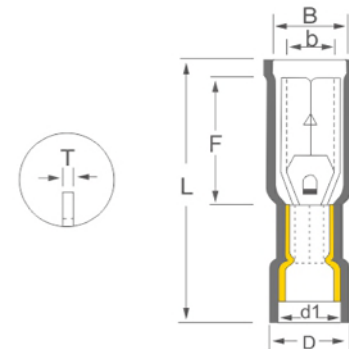
双压式绝缘端子系列
PVC-Insulated Double
Crimp Terminal Series

子弹形公（双压式）绝缘接头 PVC-Insulated Double Crimp Male Bullet Connector



型号 ITEM NO .	尺寸 DIMENSION mm							包装 PCS/ PACK	颜色 COLOR	说明 EXPLANATION
	B	F	L	E	D	d1	T			
MPN1.25-156	4.0	9.0	21.5	10.5	5.8	4.3	0.4	1000	● 红Red	材质:黄铜 绝缘套管: PVC 绝缘套管加铜套 Material:Brass Insulation: PVC Copper Tube with Sleeve
MPN2-156	4.0		21.7	10.7	6.5	4.8				
MPN2-195	5.0		21.7	10.7	6.5	4.8				
MPN5.5-156	4.0		24.0	13.4	7.7	6.0				
MPN5.5-195	5.0		24.0	13.4	7.7	6.0		500	● 黄Yellow	

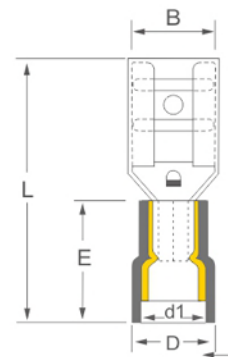
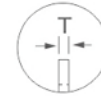
子弹形母（双压式）绝缘接头 PVC-Insulated Double Crimp Female Bullet Connector



型号 ITEM NO .	尺寸 DIMENSION mm							包装 PCS/ PACK	颜色 COLOR	说明 EXPLANATION
	B	F	L	b	D	d1	T			
FRN1.25-156	5.2	13.0	23.3	3.9	5.8	4.3	0.4	1000	● 红Red	材质:黄铜 绝缘套管: PVC 绝缘套管加铜套 Material:Brass Insulation: PVC Copper Tube with Sleeve
FRN2-156	5.2	14.0	23.3	3.9	6.5	4.8				
FRN2-195	6.2	14.0	23.3	4.9	6.5	4.8				
FRN5.5-156	5.2	14.0	25.0	3.9	7.7	6.0				
FRN5.5-195	6.2	14.0	25.0	4.9	7.7	6.0		500	● 黄Yellow	

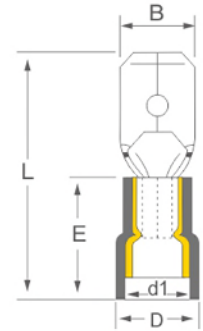
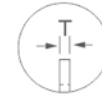
PVC-Insulated Double
Crimp Terminal Series
双压式绝缘端子系列

母 (双压式) 绝缘接头 PVC-Insulated Double Crimp Female Connector



型号 ITEM NO.	接插规格 Nema Tab	尺寸 DIMENSION mm						包装 PCS/ PACK	颜色 COLOR	说明 EXPLANATION
		B	L	E	D	d1	T			
FDN1.25-110(5)	0.5×2.8	3.3	18.5	10.0	3.8	1.7	0.3	1000	● 红Red	导线截面:0.5~1.5mm ² (美国线规22~16) 最大电流: I _{max} =19A 材质:黄铜 绝缘套管: PVC
FDN1.25-110(8)	0.8×2.8									
FDN1.25-187(5)	0.5×4.75	5.0	19.0				0.35			
FDN1.25-187(8)	0.8×4.75									
FDN1.25-205	0.5×5.2	5.7	19.0				0.4			
FDN1.25-250	0.8×6.35	6.6	19.8							
FDN1.25-312	0.8×8.0	8.2	23.0							
FDN2-110(5)	0.5×2.8	3.3	18.5	10.0	4.3	2.3	0.3	1000	● 蓝Blue	导线截面:1.5~2.5mm ² (美国线规16~14) 最大电流: I _{max} =27A 材质:黄铜 绝缘套管: PVC
FDN2-110(8)	0.8×2.8									
FDN2-187(5)	0.5×4.75	5.0	19.0				0.35			
FDN2-187(8)	0.8×4.75									
FDN2-205	0.5×5.2	5.7	19.0				0.4			
FDN2-250	0.8×6.35	6.6	19.8							
FDN2-312	0.8×8.0	8.2	23.7				500			
FDN2-375	1.2×9.4	9.9	27.6							
FDN5.5-110(5)	0.5×2.8	3.3	21.0	13.0	5.7	3.4	0.35	1000	● 黄Yellow	导线截面:4~6mm ² (美国线规12~10) 最大电流: I _{max} =48A 材质:黄铜 绝缘套管: PVC
FDN5.5-110(8)	0.8×2.8									
FDN5.5-187(5)	0.5×4.75	5.0	22.0				0.4			
FDN5.5-187(8)	0.8×4.75									
FDN5.5-250	0.8×6.35	6.6	23.4				500			
FDN5.5-312	0.8×8.0	8.2	27.3							
FDN5.5-375	1.2×9.4	9.9	29.6							

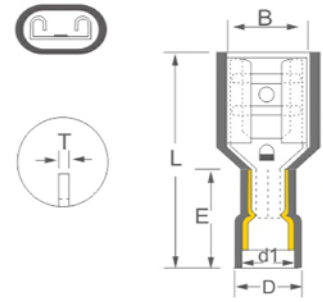
公 (双压式) 绝缘接头
PVC-Insulated Double
Crimp Male Connector



型号 ITEM NO.	接插规格 Nema Tab	尺寸 DIMENSION mm						包装 PCS/ PACK	颜色 COLOR	说明 EXPLANATION				
		B	L	E	D	d1	T							
MDN1.25-110(5)	0.5×2.8	2.8	17.7	10.0	3.8	1.7	0.5	1000	● 红Red	导线截面:0.5~1.5mm ² (美国线规22~16) 最大电流: I _{max} =19A 材质:紫铜 绝缘套管: PVC 绝缘套管加铜套				
MDN1.25-110(8)	0.8×2.8										4.75	20.0	0.5	
MDN1.25-187(5)	0.5×4.75	4.75	20.0											0.4×2
MDN1.25-187(8)	0.8×4.75										4.75	20.0	0.8	
MDN1.25-187(8L)	0.8×4.75	6.35	21.0											10.0
MDN1.25-250	0.8×6.35										10.0	4.3	2.3	
MDN2-110(5)	0.5×2.8	2.8	17.7	0.8										
MDN2-110(8)	0.8×2.8				4.75	20.0	0.5							
MDN2-187(5)	0.5×4.75	4.75	20.0	0.4×2										
MDN2-187(8)	0.8×4.75				4.75	20.0	0.8							
MDN2-187(8L)	0.8×4.75	6.35	21.0	10.0				4.3	2.3	0.4×2				
MDN2-250	0.8×6.35				13.0	5.7	3.4				0.5	1000	● 黄Yellow	导线截面:4~6mm ² (美国线规12~10) 最大电流: I _{max} =48A 材质:紫铜 绝缘套管: PVC 绝缘套管加铜套
MDN5.5-110(5)	0.5×2.8	2.8	20.0	0.8										
MDN5.5-110(8)	0.8×2.8							4.75	22.0	0.5				
MDN5.5-187(5)	0.5×4.75	4.75	22.0	0.4×2										
MDN5.5-187(8)	0.8×4.75							6.35	23.0	10.0				
MDN5.5-250	0.8×6.35	6.35	23.0	10.0										

PVC-Insulated Double
Crimp Terminal Series
双压式绝缘接头系列

母 (双压式) 全绝缘接头
Fully-PVC-Insulated Double
Crimp Female Connector



型号 ITEM NO .	接插规格 Nema Tab	尺寸 DIMENSION mm						包装 PCS/ PACK	颜色 COLOR	说明 EXPLANATION
		B	L	E	D	d1	T			
FD FY1.25-110(5)	0.5×2.8	3.3	20.0	10.5	5.8	4.3	0.3	1000	● 红Red	导线截面:0.5~1.5mm ² (美国线规22~16) 最大电流: I _{max} =19A 材质:紫铜 绝缘套管: PVC 绝缘套管加铜套
FD FY1.25-110(8)	0.8×2.8									
FD FY1.25-187(5)	0.5×4.75	5.0	20.5							
FD FY1.25-187(8)	0.8×4.75									
FD FY1.25-205	0.5×5.2	6.5	21.0							
FD FY1.25-250	0.8×6.35	6.6	22.4							
FD FY2-110(5)	0.5×2.8	3.3	20.0	10.7	6.5	4.8	0.3	1000	● 蓝Blue	导线截面:1.5~2.5mm ² (美国线规16~14) 最大电流: I _{max} =27A 材质:紫铜 绝缘套管: PVC 绝缘套管加铜套
FD FY2-110(8)	0.8×2.8									
FD FY2-187(5)	0.5×4.75	5.0	20.5							
FD FY2-187(8)	0.8×4.75									
FD FY2-205	0.5×5.2	6.5	21.0							
FD FY2-250	0.8×6.35	6.6	22.7							
FD FY5.5-250	0.8×6.35	6.6	23.0	13.4	7.7	6.0	0.4	500	● 黄Yellow	材质:黄铜 绝缘套管: PVC Material:Brass Insulation: PVC

双压式绝缘端子系列
PVC-Insulated Double
Crimp Terminal Series



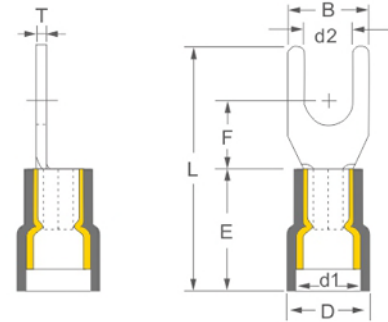
尼龙双压绝缘端子系列

Nylon-Insulated Double Crimp Terminal Series



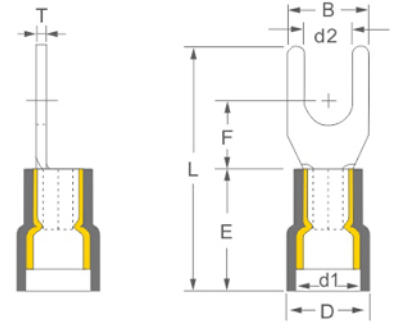
Nylon-Insulated
Double Crimp
Terminal Series
尼龙双压绝缘端子

叉形 (双压式尼龙) 绝缘端子 Nylon-Insulated Double Crimp Fork Terminal



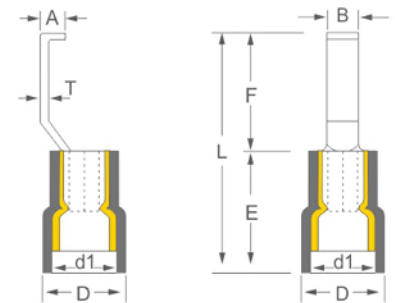
型号 ITEM NO.	STUD SIZE 美制螺栓号 螺栓口直径		尺寸 DIMENSION mm							包装 PCS/ PACK	颜色 COLOR	说明 EXPLANATION
	American	Metric d2	B	F	L	E	D	d1	T			
SNYD1.25-3	#4	3.2	5.7	6.5	22.0	10.7	5.8	4.8	0.7	1000	● 红 Red	导线截面:0.5~1.5mm ² (美国线规22~16) 最大电流: I _{max} =19A 材质:紫铜 绝缘套管: 尼龙(PA66) 绝缘套管加铜套 耐温: 105°C 电压: 400V
SNYD1.25-3.5S	#6	3.7										
SNYD1.25-3.5L	#6	3.7	6.4									
SNYD1.25-4S	#8	4.3										
SNYD1.25-4M	#8	4.3	7.2									
SNYD1.25-4L	#8	4.3										
SNYD1.25-5S	#10	5.3	8.1									
SNYD1.25-5L	#10	5.3										
SNYD1.25-6S	1/4	6.5	9.5									
SNYD1.25-6L	1/4	6.5										
SNYD1.25-8	5/16	8.5	12.0	11.0	28.0							
SNYD2-3	#4	3.2	5.7	6.5	22.2	11.0	6.8	5.5	0.8	1000	● 蓝 Blue	导线截面:1.5~2.5mm ² (美国线规16~14) 最大电流: I _{max} =27A 材质:紫铜 绝缘套管: PVC 绝缘套管加铜套 耐温: 105°C 电压: 400V
SNYD2-3.5S	#6	3.7										
SNYD2-3.5L	#6	3.7	6.5									
SNYD2-4S	#8	4.3										
SNYD2-4M	#8	4.3	7.2									
SNYD2-4L	#8	4.3										
SNYD2-5S	#10	5.3	8.2									
SNYD2-5L	#10	5.3										
SNYD2-6S	1/4	6.5	9.5									
SNYD2-6L	1/4	6.5										
SNYD2-8	5/16	8.5	12.0	11.0	28.2							
SNYD2-8	5/16	8.5	14.0	12.5	29.5							

叉形 (双压式尼龙) 绝缘端子 Nylon-Insulated Double Crimp Fork Terminal



型号 ITEM NO.	STUD SIZE 美制螺栓号 螺栓口直径		尺寸 DIMENSION mm							包装 PCS/ PACK	颜色 COLOR	说明 EXPLANATION
	American	Metric d2	B	F	L	E	D	d1	T			
SNYD5.5-3	#4	3.2	8.3	7.5	27.0	14.2	8.6	7.2	1.0	500	● 黄 Yellow	导线截面:4~6mm ² (美国线规12~10) 最大电流: I _{max} =48A 材质:紫铜 绝缘套管: 尼龙(PA66) 绝缘套管加铜套 耐温: 105°C 电压: 400V Lead Section:4~6mm ² (A.W. G.12-10) Max Current:I _{max} =48A Material:Copper Insulation: Nylon(PA66) Copper Tube with Sleeve Temperature :105°C Voltage: 400V
SNYD5.5-3.5	#6	3.7										
SNYD5.5-4S	#8	4.3										
SNYD5.5-4L	#8	4.3	8.9	27.5								
SNYD5.5-5	#10	5.3	9.0	27.0								
SNYD5.5-6S	1/4	6.5	12.0	32.5								
SNYD5.5-6L	1/4	6.5										
SNYD5.5-8	5/16	8.5										
SNYD5.5-10	3/8	10.5	17.5	12.5	34.5							

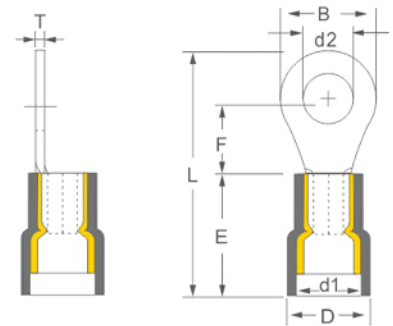
凹形 (双压式尼龙) 绝缘端子 Nylon-Insulated Double Crimp Convex Blade Terminal



型号 ITEM NO.	尺寸 DIMENSION mm								包装 PCS/ PACK	颜色 COLOR	说明 EXPLANATION
	B	F	L	E	D	d1	T	A			
LBNYD1.25-3	3.0	17.0	28.2	10.7	5.8	4.8	0.7	2.1	100	● 红 Red	材质: 紫铜 绝缘套管加铜套 耐温: 105°C 电压: 400V Material:Copper Copper Tube with Sleeve Temperature :105°C Voltage: 400V
LBNYD1.25-4.6	4.6										
LBNYD2-3	3.0	17.0	28.4	11.0	6.8	5.5	0.8	2.1	100	● 蓝 Blue	
LBNYD2-4.6	4.6										
LBNYD5.5-3	3.0	17.5	31.7	14.2	8.6	7.2	1.0	2.75	100	● 黄 Yellow	
LBNYD5.5-4.6	4.6										

尼龙双压绝缘端子
 Nylon-Insulated
 Double Crimp
 Terminal Series

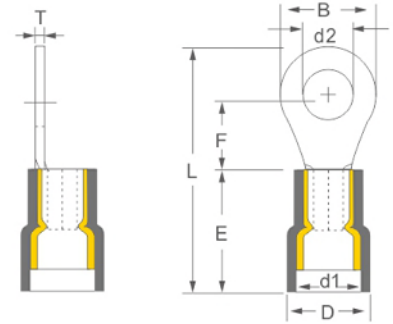
圆形（双压式尼龙）绝缘端子
Nylon-Insulated
Double Crimp Ring Terminal



型号 ITEM NO.	STUD SIZE 美制螺栓号 螺栓口直径		尺寸 DIMENSION mm							包装 PCS/ PACK	颜色 COLOR	说明 EXPLANATION
	American	Metric d2	B	F	L	E	D	d1	T			
RNYD1.25-3	#4	3.2	5.7	5.0	18.7	10.7	5.8	4.8	0.7	1000	● 红 Red	导线截面:0.5~1.5mm ² (美国线规22~16) 最大电流: I _{max} =19A 材质:紫铜 绝缘套管: 尼龙(PA66) 绝缘套管加铜套 耐温: 105°C 电压: 400V Lead Section: 0.5~1.5mm ² (A.W. G.22-16) Max Current:I _{max} =19A Material:Copper Insulation: Nylon(PA66) Copper Tube with Sleeve Temperature :105°C Voltage: 400V
RNYD1.25-3.5S	#6	3.7										
RNYD1.25-3.5M	#6	3.7	6.6	6.3	20.4							
RNYD1.25-3.5L	#6	3.7	8.0	7.0	21.7							
RNYD1.25-4S	#8	4.3	6.6	6.3	20.4							
RNYD1.25-4L	#8	4.3	8.0	7.0	21.7							
RNYD1.25-5S	#10	5.3										
RNYD1.25-5L	#10	5.3	9.5	7.5	23.0							
RNYD1.25-5LL	#10	5.3	11.6	11.3	27.7							
RNYD1.25-6S	1/4	6.5	9.5	7.5	23.0							
RNYD1.25-6L	1/4	6.5	11.6	11.3	27.7							
RNYD1.25-8	5/16	8.5										
RNYD1.25-8L	5/16	8.5	13.7	13.9	31.6							
RNYD1.25-10	3/8	10.5										
RNYD1.25-10L	3/8	10.5										
RNYD1.25-12	1/2	13.0	18.0	15.0	34.7							
RNYD1.25-14	9/16	15.0										
RNYD1.25-16	5/8	17.0										
RNYD1.25-18	11/16	19.0										
RNYD1.25-20	3/4	21.0	27.0	21.0	45.2					500		

尼龙双压绝缘端子
系列
Nylon-Insulated
Double Crimp
Terminal Series

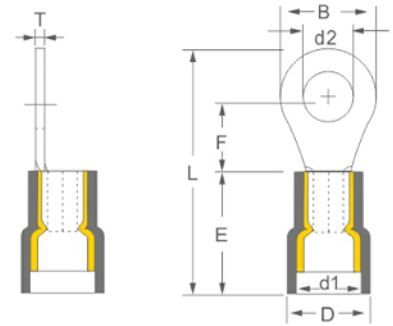
圆形（双压式尼龙）绝缘端子
Nylon-Insulated
Double Crimp Ring Terminal



型号 ITEM NO.	STUD SIZE 美制螺栓号 螺栓口直径		尺寸 DIMENSION mm							包装 PCS/ PACK	颜色 COLOR	说明 EXPLANATION
	American	Metric d2	B	F	L	E	D	d1	T			
RNYD2-3	#4	3.2	6.6	4.3	18.4	11.0	6.8	5.5	0.8	1000	● 蓝 Blue	导线截面:1.5~2.5mm ² (美国线规16~14) 最大电流: I _{max} =27A 材质:紫铜 绝缘套管: 尼龙(PA66) 绝缘套管加铜套 耐温: 105°C 电压: 400V
RNYD2-3.5S	#6	3.7		6.3	20.4							
RNYD2-3.5M	#6	3.7	7.4	22.4								
RNYD2-3.5L	#6	3.7	8.5	23.0								
RNYD2-4S	#8	4.3	6.6	6.3	20.4							
RNYD2-4L	#8	4.3	8.5	22.4								
RNYD2-5S	#10	5.3	9.5	23.0								
RNYD2-5L	#10	5.3	12.0	11.0	27.4							
RNYD2-6S	1/4	6.5	13.6	13.9	31.4							
RNYD2-6L	1/4	6.5	18.2	15.0	35.2							
RNYD2-8	5/16	8.5	27.0	21.0	45.2							
RNYD2-8L	5/16	8.5	27.0	21.0	45.2							
RNYD2-10	3/8	10.5										
RNYD2-10L	3/8	10.5										
RNYD2-12	1/2	13.0										
RNYD2-14	9/16	15.0	500									
RNYD2-16	5/8	17.0										
RNYD2-18	11/16	19.0										
RNYD2-20	3/4	21.0										

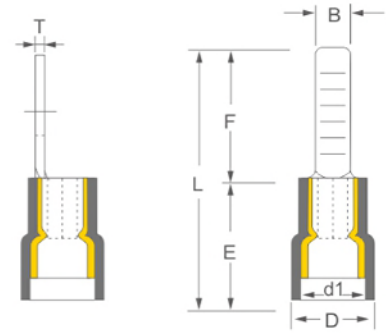
尼龙双压绝缘端子
Nylon-Insulated
Double Crimp
Terminal Series

圆形 (双压式尼龙) 绝缘端子
Nylon-Insulated
Double Crimp Ring Terminal



型号 ITEM NO.	STUD SIZE 美制螺栓号 螺栓口直径		尺寸 DIMENSION mm							包装 PCS/ PACK	颜色 COLOR	说明 EXPLANATION	
	American	Metric d2	B	F	L	E	D	d1	T				
RNYD5.5-3	#4	3.2	7.2	6.0	23.7	14.2	8.6	7.2	1.0	500	● 黄 Yellow	导线截面:4~6mm ² (美国线规12~10) 最大电流: I _{max} =48A 材质:紫铜 绝缘套管: 尼龙(PA66) 绝缘套管加铜套 耐温: 105°C 电压: 400V	
RNYD5.5-3.5	#6	3.7											
RNYD5.5-4S	#8	4.3											
RNYD5.5-4L	#8	4.3	9.5	8.2	27.0								
RNYD5.5-5	#10	5.3											
RNYD5.5-6	1/4	6.5	12.0	10.5	30.3								
RNYD5.5-6M	1/4	6.5		13.0	33.0								
RNYD5.5-8	5/16	8.5	15.0	13.5	34.8								
RNYD5.5-10	3/8	10.5											
RNYD5.5-12	1/2	13.0											19.2
RNYD5.5-14	9/16	15.0	32.0	25.2	55.2								200
RNYD5.5-16	5/8	17.0											
RNYD5.5-18	11/16	19.0											
RNYD5.5-20	3/4	21.0											

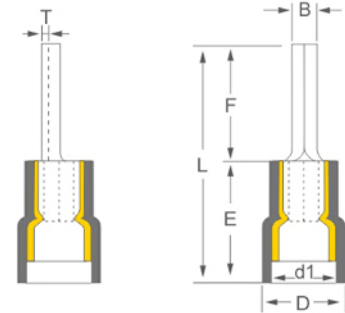
片形 (双压式尼龙) 绝缘端子
Nylon-Insulated
Double Crimp Blade Terminal



型号 ITEM NO.	尺寸 DIMENSION mm							包装 PCS/ PACK	颜色 COLOR	说明 EXPLANATION
	B	F	L	E	D	d1	T			
DBNYD1.25-10	2.3	10.0	20.8	10.7	5.8	4.8	0.7	1000	● 红 Red	导线截面:0.5~1.5mm ² (美国线规22~16) 最大电流: I _{max} =19A 材质:紫铜 绝缘套管:尼龙(PA66) 绝缘套管加铜套 耐温: 105°C 电压: 400V
DBNYD1.25-11	3.0	11.0	21.8							
DBNYD1.25-14S	2.4	14.0	24.8							
DBNYD1.25-14L	3.0									
DBNYD1.25-18	2.3	18.0	28.8							
DBNYD2-9	2.8	9.0	20.0	11.0	6.8	5.5	0.8	1000	● 蓝 Blue	导线截面:1.5~2.5mm ² (美国线规16~14) 最大电流: I _{max} =27A 材质:紫铜 绝缘套管:尼龙(PA66) 绝缘套管加铜套 耐温: 105°C 电压: 400V
DBNYD2-10	2.8	10.0	21.0							
DBNYD2-14S	2.4	14.0	25.0							
DBNYD2-14L	3.0									
DBNYD2-18	2.3	18.0	29.0							
DBNYD5.5-10	2.8	10.0	24.3	14.2	8.6	7.2	1.0	500	● 黄 Yellow	导线截面:4~6mm ² (美国线规12~10) 最大电流: I _{max} =48A 材质:紫铜 绝缘套管:尼龙(PA66) 绝缘套管加铜套 耐温: 105°C 电压: 400V
DBNYD5.5-14S	3.0	14.0	28.3							
DBNYD5.5-14	4.5									
DBNYD5.5-18S	3.0	18.0	32.3							
DBNYD5.5-18	4.5									

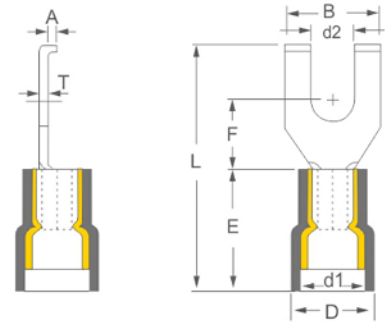
尼龙双压绝缘端子
Nylon-Insulated
Double Crimp
Terminal Series

针形 (双压式尼龙) 绝缘端子 Nylon-Insulated Double Crimp Pin Terminal



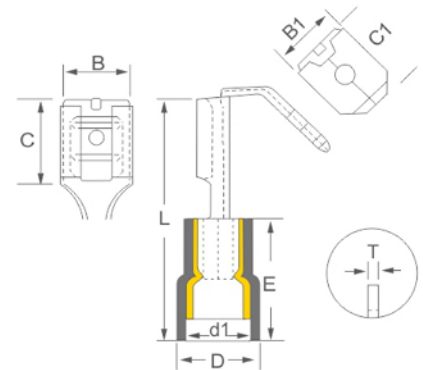
型号 ITEM NO.	尺寸 DIMENSION mm							包装 PCS/ PACK	颜色 COLOR	说明 EXPLANATION
	B	F	L	E	D	d1	T			
PTNYD1.25-7	1.9	7.0	17.8	10.7	5.8	4.8	0.7	1000	● 红 Red	导线截面:0.5~1.5mm ² (美国线规22~16) 最大电流: I _{max} =19A 材质:紫铜 绝缘套管: 尼龙(PA66) 绝缘套管加铜套 耐温: 105°C 电压: 400V
PTNYD1.25-9		9.0	19.8							
PTNYD1.25-10		10.0	20.8							
PTNYD1.25-12		12.0	22.8							
PTNYD1.25-13		13.0	23.8							
PTNYD1.25-18		18.0	28.8							
PTNYD2-8	1.9	8.0	18.0	11.0	6.8	5.5	0.8	1000	● 蓝 Blue	导线截面:1.5~2.5mm ² (美国线规16~14) 最大电流: I _{max} =27A 材质:紫铜 绝缘套管: 尼龙(PA66) 绝缘套管加铜套 耐温: 105°C 电压: 400V
PTNYD2-9		9.0	20.0							
PTNYD2-10		10.0	21.0							
PTNYD2-12		12.0	23.0							
PTNYD2-13		13.0	24.0							
PTNYD2-18		18.0	29.0							
PTNYD5.5-7	2.8	7.0	21.8	14.2	8.6	7.2	1.0	500	● 黄 Yellow	导线截面:4~6mm ² (美国线规12~10) 最大电流: I _{max} =48A 材质:紫铜 绝缘套管: 尼龙(PA66) 绝缘套管加铜套 耐温: 105°C 电压: 400V Lead Section:4~6mm ² (A.W. G.12~10) Max Current:I _{max} =48A Material:Copper Insulation: Nylon(PA66) Copper Tube with Sleeve Temperature :105°C Voltage: 400V
PTNYD5.5-10		10.0	24.8							
PTNYD5.5-13		13.0	27.8							
PTNYD5.5-18		18.0	32.8							

凸形 (双压式尼龙) 绝缘端子 Nylon-Insulated Double Crimp Convex Fork Terminal



型号 ITEM NO.	STUD SIZE 美制螺栓号 螺栓口直径		尺寸 DIMENSION mm								包装 PCS/ PACK	颜色 COLOR	说明 EXPLANATION
	American	Metric d2	B	F	L	E	D	d1	A	T			
FSNYD1.25-3	#4	3.2	7.5	5.1	20.0	10.7	5.8	4.8	1.5	0.7	1000	● 红 Red	导线截面:0.5~1.5mm ² (美国线规22~16) 最大电流: I _{max} =19A 材质:紫铜 绝缘套管: 尼龙(PA66) Lead Section:0.5~1.5mm ² (A.W. G.22~16) Max Current:I _{max} =19A Material:Copper Insulation: Nylon(PA66)
FSNYD1.25-3.5	#6	3.7											
FSNYD1.25-4	#8	4.3											
FSNYD1.25-5	#10	5.3											
FSNYD2-3.5	#6	3.7	7.5	5.2	20.9	11.0	6.8	5.5	1.5	0.8	1000	● 蓝 Blue	导线截面:1.5~2.5mm ² (美国线规16~14) 最大电流: I _{max} =27A 材质:紫铜 绝缘套管: 尼龙(PA66) Lead Section:1.5~2.5mm ² (A.W. G.16~14) Max Current:I _{max} =27A Material:Copper Insulation: Nylon(PA66)
FSNYD2-4	#8	4.3											
FSNYD2-5	#10	5.3											
FSNYD5.5-3.5	#6	3.7	8.5	7.5	28.0	14.2	8.6	7.2	1.5	1.0	500	● 黄 Yellow	导线截面:4~6mm ² (美国线规12~10) 最大电流: I _{max} =48A 材质:紫铜 绝缘套管: 尼龙(PA66) Lead Section:4~6mm ² (A.W. G.12~10) Max Current:I _{max} =48A Material:Copper Insulation: Nylon(PA66)
FSNYD5.5-4	#8	4.3											
FSNYD5.5-5	#10	5.3											

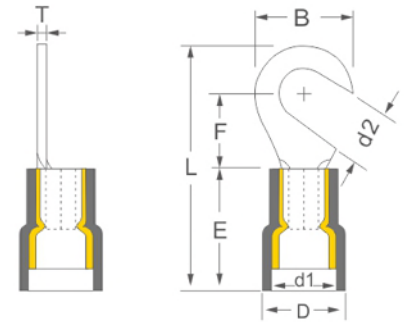
肩背形公母 (双压式尼龙) 绝缘接头 Nylon-Insulated Double Crimp Piggy Male & Female Connector



型号 ITEM NO.	接插规格 Nema Tab	尺寸 DIMENSION mm									包装 PCS/ PACK	颜色 COLOR	说明 EXPLANATION
		B	B1	L	C	C1	E	D	d1	T			
PBDNY1.25-250	0.8×6.35	6.6	6.3	22.5	8.1	8.3	10.7	5.8	4.3	0.4	500	● 红 Red	导线截面:0.5~1.5mm ² 材质:黄铜 绝缘套管: 尼龙(PA66) Lead Section:0.5~1.5mm ² Material:Brass Insulation: Nylon(PA66)
PBDNY2-250	0.8×6.35	6.6	6.3	22.5	8.1	8.3	10.7	6.2	4.5	0.4	500	● 蓝 Blue	导线截面:1.5~2.5mm ² 材质:黄铜 绝缘套管: 尼龙(PA66) Lead Section:1.5~2.5mm ² Material:Brass Insulation: Nylon(PA66)
PBDNY5.5-250	0.8×6.35	6.6	6.3	24.0	8.1	8.3	14.4	8.4	7.0	0.4	500	● 黄 Yellow	导线截面:4~6mm ² 材质:黄铜 绝缘套管: 尼龙(PA66) Lead Section:4~6mm ² Material:Brass Insulation: Nylon(PA66)

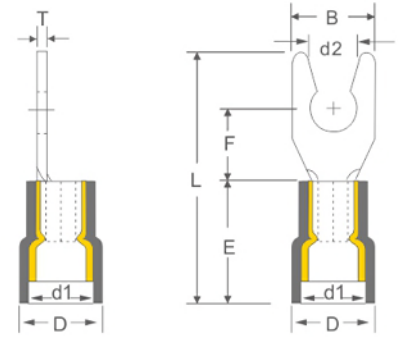
Nylon-Insulated
Double Crimp
Terminal Series
尼龙双压绝缘端子

钩形 (双压式尼龙) 绝缘端子 Nylon-Insulated Double Crimp Hook Terminal



型号 ITEM NO.	STUD SIZE 美制螺栓号 螺栓口直径		尺寸 DIMENSION mm							包装 PCS/ PACK	颜色 COLOR	说明 EXPLANATION		
	American	Metric d2	B	F	L	E	D	d1	T					
HNYD1.25-3.5	#6	3.7	8.0	7.0	21.8	10.7	5.8	4.8	0.7	1000	● 红 Red	导线截面:0.5~1.5mm ² (美国线规22~16) 最大电流: I _{max} =19A 材质:紫铜 绝缘套管: 尼龙(PA66) 绝缘套管加铜套 耐温: 105°C 电压: 400V		
HNYD1.25-4	#8	4.3												
HNYD1.25-5	#10	5.3												
HNYD1.25-6	1/4	6.5										11.6	11.0	27.8
HNYD2-3.5	#6	3.7	8.5	7.4	23.5	11.0	6.8	5.5	0.8	1000	● 蓝 Blue	导线截面:1.5~2.5mm ² (美国线规16~14) 最大电流: I _{max} =27A 材质:紫铜 绝缘套管: 尼龙(PA66) 绝缘套管加铜套 耐温: 105°C 电压: 400V		
HNYD2-4	#8	4.3												
HNYD2-5	#10	5.3										9.5	7.3	23.0
HNYD2-6	1/4	6.5										12.0	11.0	28.0
HNYD5.5-3.5	#6	3.7	9.5	9.5	28.1	14.2	8.6	7.2	1.0	500	● 黄 Yellow	导线截面:4~6mm ² (美国线规12~10) 最大电流: I _{max} =48A 材质:紫铜 绝缘套管:尼龙(PA66) 绝缘套管加铜套 耐温: 105°C 电压: 400V		
HNYD5.5-4	#8	4.3												
HNYD5.5-5	#10	5.3												
HNYD5.5-6	1/4	6.5										12.0	10.3	30.8
HNYD5.5-8	5/16	8.5										15.0	13.5	35.3

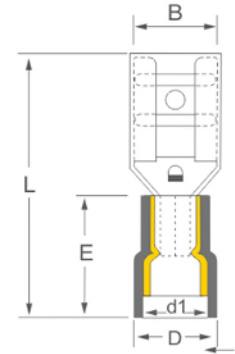
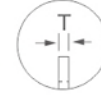
锁扣形 (双压式尼龙) 绝缘端子 Nylon-Insulated Double Crimp Lock Fork Terminal



型号 ITEM NO.	STUD SIZE 美制螺栓号 螺栓口直径		尺寸 DIMENSION mm							包装 PCS/ PACK	颜色 COLOR	说明 EXPLANATION			
	American	Metric d2	B	F	L	E	D	d1	T						
LSNYD1.25-3.5	#6	3.7	6.4								1000	● 红 Red	导线截面:0.5~1.5mm ² (美国线规22~16) 最大电流: I _{max} =19A 材质:紫铜 绝缘套管: 尼龙(PA66) 绝缘套管加铜套 耐温: 105°C 电压: 400V		
LSNYD1.25-4S	#8	4.3	7.2												
LSNYD1.25-4L	#8	4.3	8.1	6.5	21.8	10.7	5.8	4.8	0.7						
LSNYD1.25-5S	#10	5.3													
LSNYD1.25-5L	#10	5.3	9.5												
LSNYD2-3.5S	#6	3.7	6.0							1000	● 蓝 Blue	导线截面:1.5~2.5mm ² (美国线规16~14) 最大电流: I _{max} =27A 材质:紫铜 绝缘套管: 尼龙(PA66) 绝缘套管加铜套 耐温: 105°C 电压: 400V			
LSNYD2-4S	#8	4.3	7.2												
LSNYD2-4L	#8	4.3	8.1	6.5	22.2	11.0	6.8	5.5	0.8						
LSNYD2-5S	#10	5.3													
LSNYD2-5L	#10	5.3	9.3												
LSNYD5.5-3.5	#6	3.7	8.3	7.0	26.5					500	● 黄 Yellow	导线截面:4~6mm ² (美国线规12~10) 最大电流: I _{max} =48A 材质:紫铜 绝缘套管: 尼龙(PA66) 绝缘套管加铜套 耐温: 105°C 电压: 400V			
LSNYD5.5-4	#8	4.3													
LSNYD5.5-5	#10	5.3				9.0			14.2				8.6	7.2	1.0
LSNYD5.5-6	1/4	6.5				12.0	12.0	32.5							

Nylon-Insulated
Double Crimp
Terminal Series
尼龙双压绝缘端子

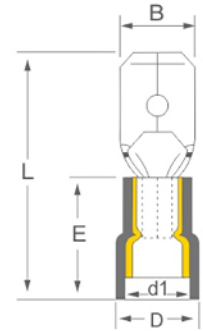
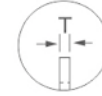
母 (双压式尼龙) 绝缘接头 Nylon-Insulated Double Crimp Female Connector



型号 ITEM NO .	接插规格 Nema Tab	尺寸 DIMENSION mm						包装 PCS/ PACK	颜色 COLOR	说明 EXPLANATION
		B	L	E	D	d1	T			
FNYD1.25-110(5)	0.5×2.8	3.3	18.5	10.7	5.8	4.3	0.3	1000	● 红Red	导线截面:0.5~1.5mm ² (美国线规22~16) 最大电流: I _{max} =19A 材质:黄铜 绝缘套管: 尼龙(PA66) 绝缘套管加铜套 耐温: 105°C 电压: 400V
FNYD1.25-110(8)	0.8×2.8									
FNYD1.25-187(5)	0.5×4.75									
FNYD1.25-187(8)	0.8×4.75									
FNYD1.25-205	0.5×5.2									
FNYD1.25-250	0.8×6.35									
FNYD1.25-312	0.8×8.0									
FNYD2-110(5)	0.5×2.8	3.3	18.5	10.7	6.2	4.5	0.3	1000	● 蓝Blue	导线截面:1.5~2.5mm ² (美国线规16~14) 最大电流: I _{max} =27A 材质:黄铜 绝缘套管: 尼龙(PA66) 绝缘套管加铜套 耐温: 105°C 电压: 400V
FNYD2-110(8)	0.8×2.8									
FNYD2-187(5)	0.5×4.75									
FNYD2-187(8)	0.8×4.75									
FNYD2-205	0.5×5.2									
FNYD2-250	0.8×6.35									
FNYD2-312	0.8×8.0									
FNYD2-375	1.2×9.4	9.9	27.6				0.5	500		Lead Section:1.5~2.5mm ² (A.W. G.16-14) Max Current:I _{max} =27A Material:Brass Insulation: Nylon(PA66) Copper Tube with Sleeve Temperature :105°C Voltage: 400V
FNYD5.5-110(5)	0.5×2.8	3.3	21.0	14.4	8.4	7.0	0.35	1000	● 黄Yellow	导线截面:4~6mm ² (美国线规12~10) 最大电流: I _{max} =48A 材质:黄铜 绝缘套管: 尼龙(PA66) 绝缘套管加铜套 耐温: 105°C 电压: 400V
FNYD5.5-110(8)	0.8×2.8									
FNYD5.5-187(5)	0.5×4.75									
FNYD5.5-187(8)	0.8×4.75									
FNYD5.5-250	0.8×6.35									
FNYD5.5-312	0.8×8.0									
FNYD5.5-375	1.2×9.4	9.9	29.6							

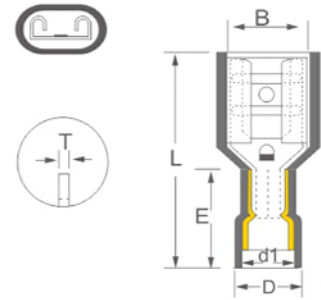
尼龙双压绝缘端子
系列 Nylon-Insulated
Double Crimp
Terminal Series

公 (双压式尼龙) 绝缘接头 Nylon-Insulated Double Crimp Male Connector



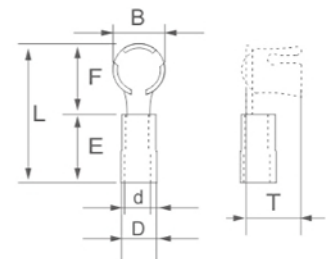
型号 ITEM NO.	接插规格 Nema Tab	尺寸 DIMENSION mm						包装 PCS/ PACK	颜色 COLOR	说明 EXPLANATION	
		B	L	E	D	d1	T				
MNYD1.25-110(5)	0.5×2.8	2.8	17.7	10.7	5.8	4.3	0.5	1000	● 红Red	导线截面:0.5~1.5mm ² (美国线规22~16) 最大电流: I _{max} =19A 材质:黄铜 绝缘套管: 尼龙(PA66) 绝缘套管加铜套 耐温: 105°C 电压: 400V	
MNYD1.25-110(8)	0.8×2.8						0.8				
MNYD1.25-187(5)	0.5×4.75	4.75	20.0				0.5				
MNYD1.25-187(8)	0.8×4.75						0.4×2				
MNYD1.25-187(8L)	0.8×4.75	4.75	20.0				0.8				
MNYD1.25-250	0.8×6.35	6.35	21.0				0.4×2				
MNYD2-110(5)	0.5×2.8	2.8	17.7	10.7	6.2	4.5	0.5	1000	● 蓝Blue	导线截面:1.5~2.5mm ² (美国线规16~14) 最大电流: I _{max} =27A 材质:黄铜 绝缘套管: 尼龙(PA66) 绝缘套管加铜套 耐温: 105°C 电压: 400V	
MNYD2-110(8)	0.8×2.8						0.8				
MNYD2-187(5)	0.5×4.75	4.75	20.0				0.5				
MNYD2-187(8)	0.8×4.75						0.4×2				
MNYD2-187(8L)	0.8×4.75	4.75	20.0				0.8				
MNYD2-250	0.8×6.35	6.35	21.0				0.4×2				
MNYD5.5-110(5)	0.5×2.8	2.8	20.0	14.4	8.4	7.0	0.5	1000	● 黄Yellow	导线截面:4~6mm ² (美国线规12~10) 最大电流: I _{max} =48A 材质:黄铜 绝缘套管: 尼龙(PA66) 绝缘套管加铜套 耐温: 105°C 电压: 400V	
MNYD5.5-110(8)	0.8×2.8						0.8				
MNYD5.5-187(5)	0.5×4.75	4.75	22.0				0.5				
MNYD5.5-187(8)	0.8×4.75						0.4×2				
MNYD5.5-250	0.8×6.35	6.35	23.0				0.4×2				500

母 (双压式尼龙) 全绝缘接头 Fully-Nylon-Insulated Double Crimp Female Connector



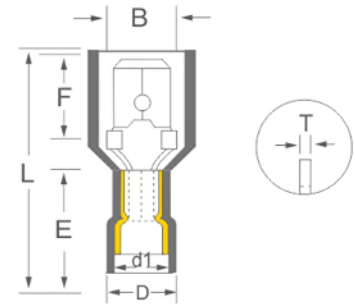
型号 ITEM NO .	接插规格 Nema Tab	尺寸 DIMENSION mm						包装 PCS/ PACK	颜色 COLOR	说明 EXPLANATION
		B	L	E	D	d1	T			
FDND1.25-110(5)	0.5×2.8	4.3	18.8	11.0	5.0	1.7	0.3	1000	● 红Red	材质:黄铜 绝缘套管: 尼龙(PA66) 绝缘套管加铜套 耐温: 105°C 电压: 400V Material:Brass Insulation: Nylon(PA66) Copper Tube with Sleeve Temperature :105°C Voltage: 400V
FDND1.25-110(8)	0.8×2.8									
FDND1.25-187(5)	0.5×4.75	5.8	20.5				0.4			
FDND1.25-187(8)	0.8×4.75									
FDND1.25-250	0.8×6.35	8.4	22.6	11.0	5.5	2.3	0.35	1000	● 粉Pink	
FDND2-187(5)	0.5×4.75	6.2	20.7							
FDND2-187(8)	0.8×4.75									
FDND2-250	0.8×6.35	8.4	22.6	13.0	7.3	3.4	0.4	500	● 蓝Blue	
FDND5.5-250	0.8×6.35	8.6	24.0							13.0

汽车灯座 Auto Lamp Holders



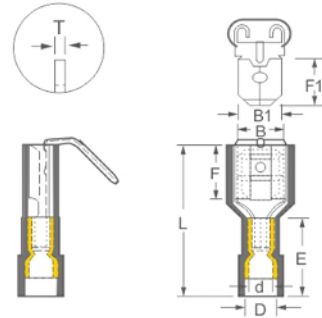
型号 ITEM NO .	导线面积 WIRE SECTION A. W. G	尺寸 DIMENSION mm							包装 PCS/ PACK	颜色 COLOR	说明 EXPLANATION
		B	L	F	E	D	d	T			
PH-1	22-16	7.5	20.2	10.0	10.0	4.0	1.8	1.0	500	● 黑Black	材质:紫铜 绝缘套管: 尼龙(PA66) Material:Copper Insulation: Nylon(PA66)

公 (双压式尼龙) 全绝缘接头
Fully-Nylon-Insulated
Double Crimp Male Connector



型号 ITEM NO .	接插规格 Nema Tab	尺寸 DIMENSION mm						包装 PCS/ PACK	颜色 COLOR	说明 EXPLANATION
		B	L	E	D	d1	T			
MDFND1.25-250	0.8×6.35	6.35	24.0	11.0	5.0	1.7	0.4	500	粉 Pink	材质:黄铜 绝缘套管: 尼龙(PA66) 绝缘套管加铜套 耐温: 105°C 电压: 400V Material:Brass Insulation: Nylon(PA66) Copper Tube with Sleeve Temperature :105°C Voltage: 400V
MDFND2-250	0.8×6.35	6.35	24.0	11.0	5.5	2.3	0.4	500	蓝 Blue	
MDFND5.5-250	0.8×6.35	6.35	25.0	13.0	7.3	3.4	0.4	500	黄 Yellow	

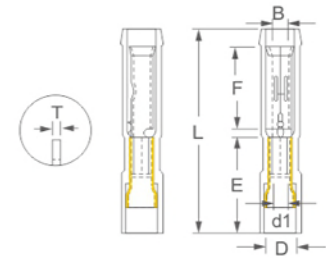
肩背形公母 (双压式尼龙) 全绝缘接头
Nylon-Insulated Double Crimp
Piggy Male & Female Connector



型号 ITEM NO .	接插规格 Nema Tab	尺寸 DIMENSION mm									包装 PCS/ PACK	颜色 COLOR	说明 EXPLANATION
		B	B1	L	F	F1	E	D	d1	T			
PBDFND1.25-250	0.8×6.35	7.5	6.35	22.0	8.0	8.2	11.0	4.0	1.8	0.4	500	粉 Pink	材质:黄铜 绝缘套管: 尼龙(PA66) 绝缘套管加铜套 耐温: 105°C 电压: 400V Material:Brass Insulation: Nylon(PA66) Copper Tube with Sleeve Temperature :105°C Voltage: 400V
PBDFND2-250	0.8×6.35	7.5	6.35	22.0	8.0	8.2	11.0	4.8	2.3	0.4	500	蓝 Blue	

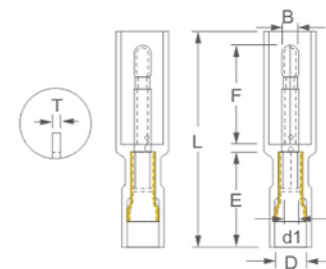
尼龙双压绝缘端子
Nylon-Insulated
Double Crimp
Terminal Series

子弹形母 (双压式尼龙) 绝缘接头
Fully-Nylon-Insulated
Double Crimp Female
Bullet Connector



型号 ITEM NO .	尺寸 DIMENSION mm							包装 PCS/ PACK	颜色 COLOR	说明 EXPLANATION
	B	L	F	E	D	d1	T			
FRFNYD0.5-078	2.3	24.6	10.5	12.0	3.9	1.7	0.3	1000	白 White	材质:黄铜 绝缘套管: 尼龙(PA66) 绝缘套管加铜套 耐温: 105°C 电压: 400V Material:Brass Insulation: Nylon(PA66) Copper Tube with Sleeve Temperature :105°C Voltage: 400V

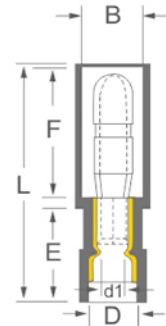
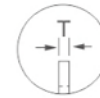
子弹形公 (双压式尼龙) 绝缘接头
Fully-Nylon-Insulated
Double Crimp Male
Bullet Connector



型号 ITEM NO .	尺寸 DIMENSION mm							包装 PCS/ PACK	颜色 COLOR	说明 EXPLANATION
	B	L	F	E	D	d1	T			
MRFNYD0.5-078	2.0	27.2	12.5	13.5	3.9	1.7	0.3	1000	白 White	材质:黄铜 绝缘套管: 尼龙(PA66) 绝缘套管加铜套 耐温: 105°C 电压: 400V Material:Brass Insulation: Nylon(PA66) Copper Tube with Sleeve Temperature :105°C Voltage: 400V

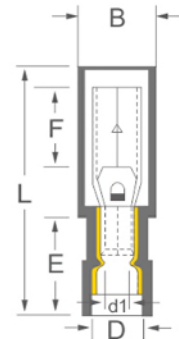
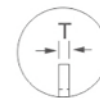
尼龙双压绝缘端子
系列 Nylon-Insulated
Double Crimp
Terminal Series

子弹形公 (双压式尼龙) 绝缘接头
Fully-Nylon-Insulated
Double Crimp Male
Bullet Connector



型号 ITEM NO.	尺寸 DIMENSION mm							包装 PCS/ PACK	颜色 COLOR	说明 EXPLANATION
	B	F	L	E	D	d1	T			
MRFNYD1.25-156	7.6	11.0	25.5	11.0	4.2	1.7	0.4	500	● 红Red	材质:黄铜 绝缘套管: 尼龙(PA66) 绝缘套管加铜套 耐温: 105°C 电压: 400V Material:Brass Insulation: Nylon(PA66) Copper Tube with Sleeve Temperature :105°C Voltage: 400V
MRFNYD2-156	7.6	11.0	25.5	11.0	4.8	2.6	0.4	500	● 蓝Blue	
MRFNYD5.5-195	8.6	11.0	27.6	13.0	6.8	3.7	0.4	500	● 黄Yellow	

子弹形母 (双压式尼龙) 绝缘接头
Fully-Nylon-Insulated
Double Crimp Female
Bullet Connector



型号 ITEM NO.	尺寸 DIMENSION mm							包装 PCS/ PACK	颜色 COLOR	说明 EXPLANATION
	B	F	L	E	D	d1	T			
FRFNYD1.25-156	6.0	8.0	24.8	11.0	4.2	1.7	0.4	500	● 红Red	材质:黄铜 绝缘套管: 尼龙(PA66) 绝缘套管加铜套 耐温: 105°C 电压: 400V Material:Brass Insulation: Nylon(PA66) Copper Tube with Sleeve Temperature :105°C Voltage: 400V
FRFNYD2-156	6.0	7.3	24.5	11.0	4.8	2.6	0.4	500	● 蓝Blue	
FRFNYD5.5-195	6.8	6.7	27.2	13.0	6.8	3.7	0.4	500	● 黄Yellow	

尼龙双压绝缘端子
Nylon-Insulated
Double Crimp
Terminal Series



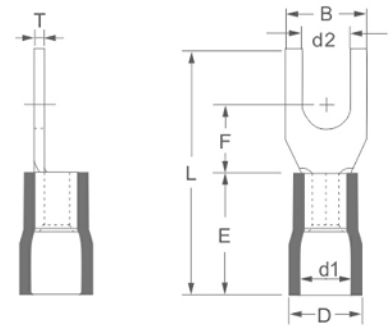
端子 (德标)系列

Terminal (DIN Type)



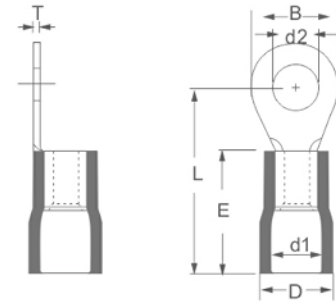
端子 (德标) 系列
Terminal Series
(DIN Type)

叉形绝缘端子 (德标)
PVC-Insulated Fork Terminal
(DIN Type)



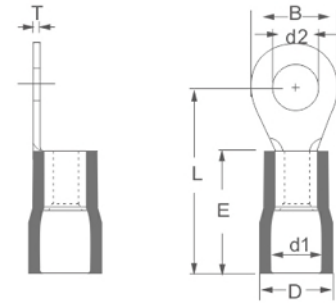
型号 ITEM NO.	螺栓口直径 Metric d2	尺寸 DIMENSION mm							包装 PCS/ PACK	颜色 COLOR
		B	F	L	E	D	d1	T		
DSV3-1	3.2	6.0	6.0	21.3	10.3	6.0	4.6	0.8	1000	● 红 Red
DSV3.5-1	3.7		7.0	23.3						
DSV4-1	4.3	6.8	7.0	23.3						
DSVL4-1	4.3	8.0								
DSV5-1	5.3	10.0	8.0	24.3						
DSV6-1	6.5	11.0	10.0	26.3						
DSV3-2.5	3.2	6.0	6.0	21.3	10.3	6.6	5.2	0.8	1000	● 蓝 Blue
DSV3.5-2.5	3.7		7.0	23.3						
DSV4-2.5	4.3	6.8	7.0	23.3						
DSVL4-2.5	4.3	8.0								
DSV5-2.5	5.3	10.0	8.0	24.3						
DSV6-2.5	6.5	11.0	10.0	26.3						
DSV4-6	4.3	8.0	8.0	27.3	13.3	8.5	6.8	1.0	500	● 黄 Yellow
DSV5-6	5.3	11.0	10.0	29.3						
DSV6-6	6.5									
DSV8-6	8.5	14.0	13.0	33.3						
DSV10-6	10.5	18.0	15.0	35.3						

圆形绝缘端子 (德标)
PVC-Insulated Ring Terminal
(DIN Type)



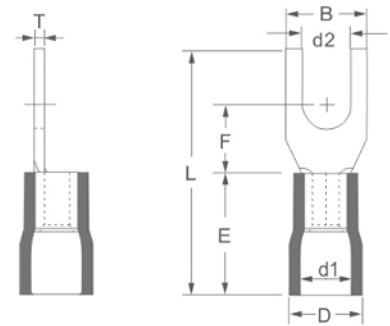
型号 ITEM NO.	螺栓口直径 Metric d2	尺寸 DIMENSION mm							包装 PCS/ PACK	颜色 COLOR
		B	F	L	E	D	d1	T		
DRV2-1	2.2	6.5	6.0	19.6	10.3	6.0	4.6	0.8	1000	● 红 Red
DRV2.5-1	2.7									
DRV3-1	3.2									
DRV3.5-1	3.7									
DRVS4-1	4.3									
DRV4-1	4.3	8.0	7.5	21.8						
DRVS5-1	5.3									
DRV5-1	5.3	10.0	8.0	23.3						
DRV6-1	6.5									
DRV8-1	8.5									
DRV10-1	10.5	14.0	12.0	29.3						
DRVL10-1	10.5									
DRV12-1	13.0									
DRV3-2.5	3.2	6.8	6.4	20.1	10.3	6.6	5.2	0.8	1000	● 蓝 Blue
DRV3.5-2.5	3.7									
DRVS4-2.5	4.3									
DRV4-2.5	4.3	8.0	8.0	22.2						
DRVS5-2.5	5.3									
DRV5-2.5	5.3	11.0	11.0	26.8						
DRV6-2.5	6.5									
DRV8-2.5	8.5									
DRV10-2.5	10.5	15.0	12.0	29.8						
DRVL10-2.5	10.5									
DRV12-2.5	13.0									
DRV12-2.5	13.0	18.0	14.0	33.3						

圆形绝缘端子 (德标)
PVC-Insulated Ring Terminal
(DIN Type)



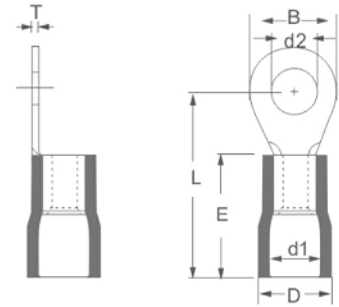
型号 ITEM NO.	螺栓口直径 Metric d2	尺寸 DIMENSION mm							包装 PCS/ PACK	颜色 COLOR			
		B	F	L	E	D	d1	T					
DRV3-6	3.2	8.0	8.0	25.3	13.3	8.2	6.5	1.0	500	● 黄 Yellow			
DRV3.5-6	3.7												
DRV4-6	4.3												
DRV5-6	5.3	11.0	10.0	28.8									
DRV6-6	6.5												
DRV8-6	8.5	14.0	13.0	33.3									
DRV10-6	10.5	18.0	15.0	37.3									
DRV12-6	13.0												
DRV5-10	5.3	11.0	9.0	30.0	15.5	10.2	8.3	1.1	500	● 红 Red			
DRV6-10	6.5												
DRV8-10	8.5										14.0	12.0	34.5
DRV10-10	10.5										18.0	13.0	37.5
DRV12-10	13.0	22.0	15.0	41.5									
DRV5-16	5.3	11.0	10.0	37.0	21.5	12.0	10.5	1.2	200	● 蓝 Blue			
DRV6-16	6.5												
DRV8-16	8.5										14.0	12.0	40.5
DRV10-16	10.5										18.0	14.0	44.5
DRV12-16	13.0										22.0	16.0	48.5
DRV5-25	5.3	12.0	14.0	43.5							23.5	15.8	13.3
DRV6-25	6.5												
DRV8-25	8.5				18.0	15.0	47.5						
DRV10-25	10.5				22.0	20.0	54.5						
DRV6-35	6.5	16.0	26.0	50.0	28.0	18.8	13.5	1.6	100	● 红 Red			
DRV8-35	8.5												
DRV10-35	10.5										18.0	27.0	52.0
DRV12-35	13.0										22.0	31.0	58.0

叉形尼龙绝缘端子 (德标)
Nylon-Insulated Fork Terminal
(DIN Type)



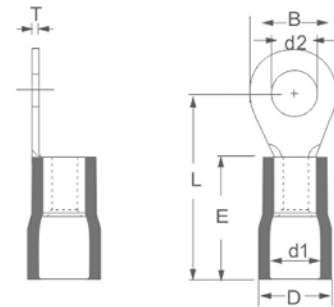
型号 ITEM NO.	螺栓口直径 Metric d2	尺寸 DIMENSION mm							包装 PCS/ PACK	颜色 COLOR
		B	F	L	E	D	d1	T		
DSNY3-1	3.2	6.0	6.0	21.7	10.7	5.6	4.3	0.8	1000	红 Red
DSNY3.5-1	3.7		6.0							
DSNY4-1	4.3	6.8	7.0	23.7						
DSNYL4-1	4.3	8.0								
DSNY5-1	5.3	10.0	8.0	24.7						
DSNY6-1	6.5	11.0	10.0	26.7						
DSNY3-2.5	3.2	6.0	6.0	22.0	11.0	6.6	4.9	0.8	1000	蓝 Blue
DSNY3.5-2.5	3.7		6.0							
DSNY4-2.5	4.3	6.8	7.0	24.0						
DSNYL4-2.5	4.3	8.0								
DSNY5-2.5	5.3	10.0	8.0	25.0						
DSNY6-2.5	6.5	11.0	10.0	27.0						
DSNY4-6	4.3	8.0	8.0	28.2	14.2	8.4	7.0	1.0	500	黄 Yellow
DSNY5-6	5.3	11.0	10.0							
DSNY6-6	6.5									
DSNY8-6	8.5	14.0	13.0	34.2						
DSNY10-6	10.5	18.0	15.0	36.2						

圆形尼龙绝缘端子 (德标)
Nylon-Insulated Ring Terminal
(DIN Type)



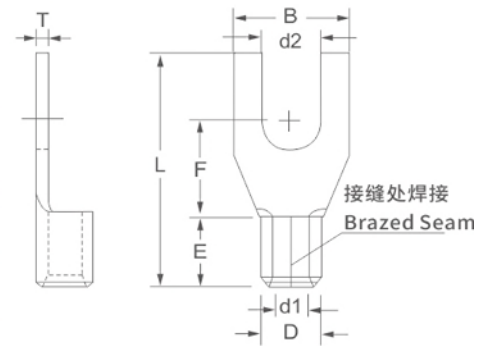
型号 ITEM NO.	螺栓口直径 Metric d2	尺寸 DIMENSION mm							包装 PCS/ PACK	颜色 COLOR
		B	F	L	E	D	d1	T		
DRNY2-1	2.2	6.5	6.0	20.0	10.7	5.6	4.3	0.8	1000	● 红 Red
DRNY2.5-1	2.7									
DRNY3-1	3.2									
DRNY3.5-1	3.7									
DRNYS4-1	4.3									
DRNY4-1	4.3	8.0	7.5	22.2						
DRNYS5-1	5.3									
DRNY5-1	5.3									
DRNY6-1	6.5									
DRNY8-1	8.5	14.0	12.0	29.7						
DRNY10-1	10.5									
DRNY12-1	13.0									
DRNY10-1	10.5	18.0	14.0	33.7						
DRNY12-1	13.0									
DRNY3-2.5	3.2	6.8	6.4	20.8	11.0	6.6	4.9	0.8	1000	● 蓝 Blue
DRNY3.5-2.5	3.7									
DRNYS4-2.5	4.3									
DRNY4-2.5	4.3	8.0	8.0	23.1						
DRNYS5-2.5	5.3									
DRNY5-2.5	5.3									
DRNY6-2.5	6.5									
DRNY8-2.5	8.5	15.0	12.0	30.5						
DRNY10-2.5	10.5									
DRNY12-2.5	13.0									
DRNY10-2.5	10.5	18.0	14.0	34.0						
DRNY12-2.5	13.0									

圆形尼龙绝缘端子 (德标)
Nylon-Insulated Ring Terminal
(DIN Type)



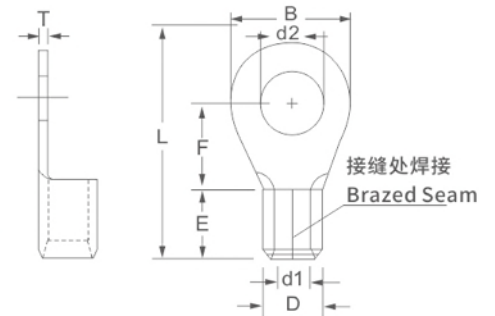
型号 ITEM NO.	螺栓口直径 Metric d2	尺寸 DIMENSION mm							包装 PCS/ PACK	颜色 COLOR
		B	F	L	E	D	d1	T		
DRNY3-6	3.2	8.0	8.0	26.2	14.2	8.4	7.0	1.0	500	● 黄 Yellow
DRNY3.5-6	3.7									
DRNY4-6	4.3									
DRNY5-6	5.3	11.0	10.0	29.7						
DRNY6-6	6.5									
DRNY8-6	8.5	14.0	13.0	34.2						
DRNY10-6	10.5	18.0	15.0	38.2						
DRNY12-6	13.0									
DRNY5-10	5.3	11.0	9.0	31.2	16.7	10.0	8.0	1.1	500	● 红 Red
DRNY6-10	6.5									
DRNY8-10	8.5									
DRNY10-10	10.5	18.0	13.0	38.7						
DRNY12-10	13.0	22.0	15.0	42.7						
DRNY5-16	5.3	11.0	10.0	38.3	22.8	12.4	10.0	1.2	200	● 蓝 Blue
DRNY6-16	6.5									
DRNY8-16	8.5									
DRNY10-16	10.5	18.0	14.0	45.8						
DRNY12-16	13.0	22.0	16.0	49.8						
DRNY5-25	5.3	12.0	14.0	44.2	24.2	14.8	13.2	1.5	100	● 黄 Yellow
DRNY6-25	6.5									
DRNY8-25	8.5									
DRNY10-25	10.5	22.0	20.0	55.2						
DRNY12-25	13.0	22.0	20.0	55.2						
DRNY6-35	6.5	16.0	26.0	49.0	27.0	16.3	14.7	1.6	100	● 红 Red
DRNY8-35	8.5									
DRNY10-35	10.5									
DRNY12-35	13.0	22.0	31.0	57.0						

叉形裸端子 (德标)
Non-Insulated Fork Terminal
(DIN Type)



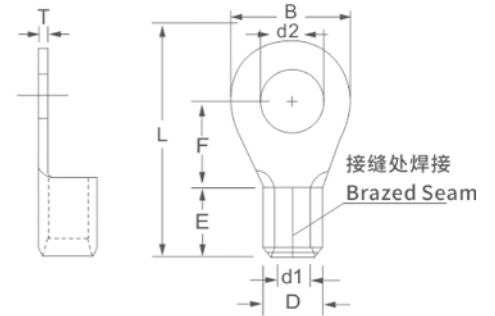
型号 ITEM NO.	螺栓口直径 Metric d2	尺寸 DIMENSION mm							包装 PCS/ PACK
		B	F	L	E	D	d1	T	
DSNB2-0.5	2.2	5.0	8.0	13.0	4.0	2.0	1.0	0.5	1000
DSNB3-0.5	3.2								
DSNB3.5-0.5	3.7	6.5	11.0	17.0	5.0	3.4	1.6	0.8	
DSNB4-0.5	4.3								
DSNB5-0.5	5.3								
DSNB3-1	3.2	6.0	11.0	16.0	5.0	3.4	1.6	0.8	1000
DSNB3.5-1	3.7								
DSNB4-1	4.3	6.8	12.0	18.0	5.0	4.0	2.3	0.8	
DSNBL4-1	4.3								
DSNB5-1	5.3	10.0	13.0	19.0	6.0	5.5	3.5	1.0	
DSNB6-1	6.5	11.0	15.0	21.0					
DSNB3-2.5	3.2	6.0	11.0	16.0	5.0	4.0	2.3	0.8	1000
DSNB3.5-2.5	3.7								
DSNB4-2.5	4.3	6.8	12.0	18.0	5.0	4.0	2.3	0.8	
DSNBL4-2.5	4.3								
DSNB5-2.5	5.3	10.0	13.0	19.0	6.0	5.5	3.5	1.0	
DSNB6-2.5	6.5	11.0	15.0	21.0					
DSNB4-6	4.3	8.0	14.0	20.0	6.0	5.5	3.5	1.0	1000
DSNB5-6	5.3								
DSNB6-6	6.5	11.0	16.0	22.0	6.0	5.5	3.5	1.0	
DSNB8-6	8.5								
DSNB10-6	10.5	14.0	19.0	26.0	6.0	5.5	3.5	1.0	
		18.0	21.0	28.0					

圆形裸端子 (德标)
Non-Insulated Ring Terminal
(DIN Type)



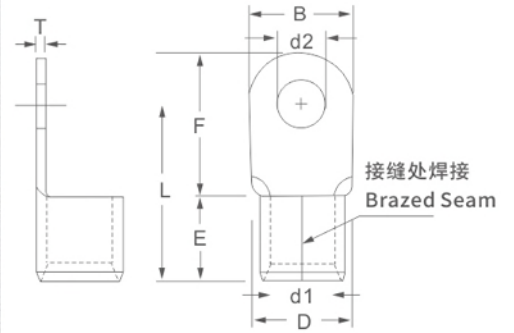
型号 ITEM NO.	螺栓口直径 Metric d2	尺寸 DIMENSION mm							包装 PCS/ PACK	
		B	F	L	E	D	d1	T		
DRNB2-0.5	2.2	5.0	10.0	12.5	4.0	2.0	1.0	0.5	1000	
DRNB2.5-0.5	2.7									
DRNB3-0.5	3.2									
DRNB3.5-0.5	3.7	6.5	12.0	15.3						
DRNB4-0.5	4.3									
DRNB5-0.5	5.3									
DRNB2-1	2.2	6.5	11.0	14.3						
DRNB2.5-1	2.7									
DRNB3-1	3.2									
DRNB3.5-1	3.7									
DRNBS4-1	4.3									
DRNB4-1	4.3				8.0	12.5	16.5			
DRNBS5-1	5.3									
DRNB5-1	5.3									
DRNB6-1	6.5	10.0	13.0	18.0	5.0	3.4	1.6	0.8		1000
DRNB8-1	8.5									
DRNB10-1	10.5									
DRNBL10-1	10.5	14.0	17.0	24.0						
DRNB12-1	13.0									
		18.0	19.0	28.0						

圆形裸端子 (德标)
Non-Insulated Ring Terminal
(DIN Type)



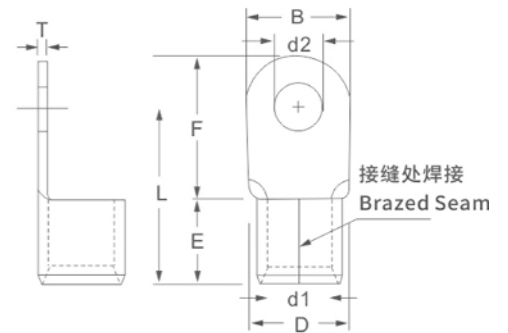
型号 ITEM NO.	螺栓口直径 Metric d2	尺寸 DIMENSION mm							包装 PCS/ PACK
		B	F	L	E	D	d1	T	
DRNB3-2.5	3.2	6.8	11.4	14.8	5.0	4.0	2.3	0.8	1000
DRNB3.5-2.5	3.7								
DRNBS4-2.5	4.3								
DRNB4-2.5	4.3	8.0	13.0	17.0					
DRNBS5-2.5	5.3								
DRNB5-2.5	5.3								
DRNB6-2.5	6.5	11.0	16.0	21.5					
DRNB8-2.5	8.5								
DRNB10-2.5	10.5								
DRNBL10-2.5	10.5	18.0	19.0	28.0					
DRNB12-2.5	13.0								
DRNB3-6	3.2				8.0	14.0	18.0		
DRNB3.5-6	3.7								
DRNB4-6	4.3								
DRNB5-6	5.3	11.0	16.0	21.5	6.0	5.5	3.5	1.0	1000
DRNB6-6	6.5								
DRNB8-6	8.5								
DRNB10-6	10.5	18.0	21.0	30.0					
DRNB12-6	13.0								
DRNB5-10	5.3								
DRNB6-10	6.5								
DRNB8-10	8.5	14.0	20.0	27.0	8.0	6.9	4.5	1.1	500
DRNB10-10	10.5								
DRNB12-10	13.0								

圆形裸端子 (德标)
Non-Insulated Ring Terminal
(DIN Type)



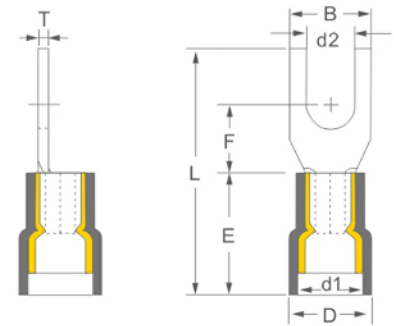
型号 ITEM NO.	螺栓口直径 Metric d2	尺寸 DIMENSION mm							包装 PCS/ PACK
		B	F	L	E	D	d1	T	
DRNB5-16	5.3	11.0	20.0	25.5	10.0	8.4	5.8	1.2	500
DRNB6-16	6.5								
DRNB8-16	8.5								
DRNB10-16	10.5								
DRNB12-16	13.0								
DRNB5-25	5.3	12.0	25.0	31.0	11.0	10.7	7.5	1.5	200
DRNB6-25	6.5								
DRNB8-25	8.5								
DRNB10-25	10.5								
DRNB12-25	13.0								
DRNB16-25	17.0	28.0	35.0	49.0					
DRNB6-35	6.5	16.0	26.0	34.0	12.0	12.4	9.0	1.6	200
DRNB8-35	8.5								
DRNB10-35	10.5								
DRNB12-35	13.0								
DRNB16-35	17.0								
DRNB6-50	6.5	18.0	34.0	43.0	16.0	14.8	11.0	1.8	100
DRNB8-50	8.5								
DRNB10-50	10.5								
DRNB12-50	13.0								
DRNB16-50	17.0								

圆形裸端子 (德标)
Non-Insulated Ring Terminal
(DIN Type)



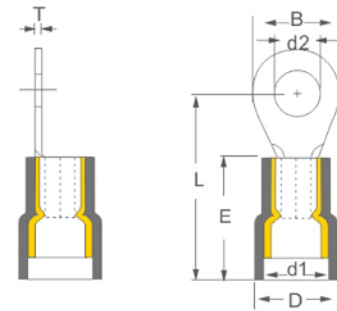
型号 ITEM NO.	螺栓口直径 Metric d2	尺寸 DIMENSION mm							包装 PCS/ PACK
		B	F	L	E	D	d1	T	
DRNB6-70	6.5	22.0	38.0	49.0	18.0	17.2	13.0	2.0	100
DRNB8-70	8.5								
DRNB10-70	10.5								
DRNB12-70	13.0								
DRNB16-70	17.0	28.0	42.0	56.0	20.0	20.2	15.0	2.5	
DRNB6-95	6.5								
DRNB8-95	8.5								
DRNB10-95	10.5								
DRNB12-95	13.0	24.0	42.0	54.0	22.0	22.7	16.5	3.0	
DRNB16-95	17.0								
DRNB8-120	8.5								
DRNB10-120	10.5								
DRNB12-120	13.0	28.0	48.0	62.0	24.0	25.6	19.0	3.2	
DRNB16-120	17.0								
DRNB8-150	8.5								
DRNB10-150	10.5								
DRNB12-150	13.0	30.0	50.0	65.0	28.0	28.2	21.0	3.5	
DRNB16-150	17.0								
DRNB8-185	8.5								
DRNB10-185	10.5								
DRNB12-185	13.0	36.0	50.0	68.0	32.0	31.7	23.5	4.0	
DRNB16-185	17.0								
DRNB8-240	8.5								
DRNB10-240	10.5								
DRNB12-240	13.0	38.0	56.0	75.0	32.0	31.7	23.5	4.0	
DRNB16-240	17.0								

叉形双压式绝缘端子 (德标)
PVC-Insulated
Double Crimp Fork Terminal
(DIN Type)



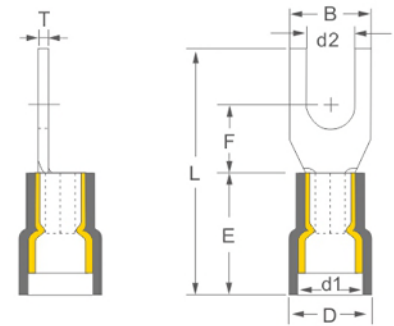
型号 ITEM NO.	螺栓口直径 Metric d2	尺寸 DIMENSION mm							包装 PCS/ PACK	颜色 COLOR
		B	F	L	E	D	d1	T		
DSVD3-1	3.2	6.0	6.0	21.3	10.3	6.0	4.6	0.8	1000	● 红 Red
DSVD3.5-1	3.7									
DSVD4-1	4.3	6.8	7.0	23.3						
DSVDL4-1	4.3	8.0								
DSVD5-1	5.3	10.0	8.0	24.3						
DSVD6-1	6.5	11.0	10.0	26.3						
DSVD3-2.5	3.2	6.0	6.0	21.3	10.3	6.6	5.2	0.8	1000	● 蓝 Blue
DSVD3.5-2.5	3.7									
DSVD4-2.5	4.3	6.8	7.0	23.3						
DSVDL4-2.5	4.3	8.0								
DSVD5-2.5	5.3	10.0	8.0	24.3						
DSVD6-2.5	6.5	11.0	10.0	26.3						
DSVD4-6	4.3	11.0	10.0	29.3	13.3	8.2	6.5	1.0	500	● 黄 Yellow
DSVD5-6	5.3									
DSVD6-6	6.5									
DSVD8-6	8.5	14.0	13.0	33.3						
DSVD10-6	10.5	18.0	15.0	35.3						

圆形双压式绝缘端子 (德标)
PVC-Insulated
Double Crimp Ring Terminal
(DIN Type)



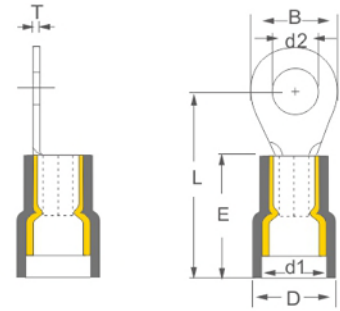
型号 ITEM NO.	螺栓口直径 Metric d2	尺寸 DIMENSION mm							包装 PCS/ PACK	颜色 COLOR
		B	F	L	E	D	d1	T		
DRVD3-1	3.2	6.5	6.0	19.6	10.3	6.6	5.2	0.8	1000	● 红 Red
DRVD3.5-1	3.7									
DRVDS4-1	4.3									
DRVD4-1	4.3	8.0	7.5	21.8						
DRVDS5-1	5.3									
DRVD5-1	5.3									
DRVD6-1	6.5	10.0	8.0	23.3						
DRVD8-1	8.5									
DRVD10-1	10.5									
DRVD12-1	13.0	18.0	14.0	33.3						
DRVD3-2.5	3.2	6.8	6.4	20.1	10.3	7.2	5.8	0.8	1000	● 蓝 Blue
DRVD3.5-2.5	3.7									
DRVDS4-2.5	4.3									
DRVD4-2.5	4.3	8.0	8.0	22.3						
DRVDS5-2.5	5.3									
DRVD5-2.5	5.3									
DRVD6-2.5	6.5	11.0	11.0	26.8						
DRVD8-2.5	8.5									
DRVD10-2.5	10.5									
DRVD12-2.5	13.0	18.0	14.0	33.3						
DRVD3.5-6	3.7	8.0	8.0	25.3	13.3	8.5	6.8	1.0	500	● 黄 Yellow
DRVD4-6	4.3									
DRVD5-6	5.3									
DRVD6-6	6.5	11.0	10.0	28.8						
DRVD8-6	8.5									
DRVD10-6	10.5									
DRVD12-6	13.0	18.0	15.0	37.3						

叉形双压式尼龙绝缘端子 (德标)
Nylon-Insulated
Double Crimp Fork Terminal
(DIN Type)



型号 ITEM NO.	螺栓口直径 Metric d2	尺寸 DIMENSION mm							包装 PCS/ PACK	颜色 COLOR
		B	F	L	E	D	d1	T		
DSNYD3-1	3.2	6.0	6.0	21.7	10.7	5.8	4.8	0.8	1000	● 红 Red
DSNYD3.5-1	3.7		6.0							
DSNYD4-1	4.3	6.8	7.0	23.7						
DSNYDL4-1	4.3	8.0								
DSNYD5-1	5.3	10.0	8.0	24.7						
DSNYD6-1	6.5	11.0	10.0	26.7						
DSNYD3-2.5	3.2	6.0	6.0	22.0	11.0	6.8	5.5	0.8	1000	● 蓝 Blue
DSNYD3.5-2.5	3.7		6.0							
DSNYD4-2.5	4.3	6.8	7.0	24.0						
DSNYDL4-2.5	4.3	8.0								
DSNYD5-2.5	5.3	10.0	8.0	25.0						
DSNYD6-2.5	6.5	11.0	10.0	27.0						
DSNYD4-6	4.3	8.0	8.0	28.2	14.2	8.6	7.2	1.0	500	● 黄 Yellow
DSNYD5-6	5.3	11.0	10.0							
DSNYD6-6	6.5									
DSNYD8-6	8.5	14.0	13.0	34.2						
DSNYD10-6	10.5	18.0	15.0	36.2						

圆形双压式尼龙绝缘端子 (德标)
Nylon-Insulated
Double Crimp Ring Terminal
(DIN Type)



型号 ITEM NO.	螺栓口直径 Metric d2	尺寸 DIMENSION mm							包装 PCS/ PACK	颜色 COLOR
		B	F	L	E	D	d1	T		
DRNYD3-1	3.2	6.5	6.0	20.0	10.7	5.8	4.8	0.8	1000	● 红 Red
DRNYD3.5-1	3.7									
DRNYDS4-1	4.3									
DRNYD4-1	4.3	8.0	7.5	22.2						
DRNYDS5-1	5.3									
DRNYD5-1	5.3									
DRNYD6-1	6.5	10.0	8.0	23.7						
DRNYD8-1	8.5									
DRNYD10-1	10.5									
DRNYD12-1	13.0	18.0	14.0	33.7						
DRNYD3-2.5	3.2	6.8	6.4	20.8	11.0	6.8	5.5	0.8	1000	● 蓝 Blue
DRNYD3.5-2.5	3.7									
DRNYDS4-2.5	4.3									
DRNYD4-2.5	4.3	8.0	8.0	23.1						
DRNYDS5-2.5	5.3									
DRNYD5-2.5	5.3									
DRNYD6-2.5	6.5	11.0	11.0	27.5						
DRNYD8-2.5	8.5									
DRNYD10-2.5	10.5									
DRNYD12-2.5	13.0	18.0	14.0	34.0						
DRNYD3.5-6	3.7	8.0	8.0	26.2	14.2	8.6	7.2	1.0	500	● 黄 Yellow
DRNYD4-6	4.3									
DRNYD5-6	5.3									
DRNYD6-6	6.5	11.0	10.0	29.7						
DRNYD8-6	8.5									
DRNYD10-6	10.5									
DRNYD12-6	13.0	18.0	15.0	38.2						

快速连接器 Fast Connector

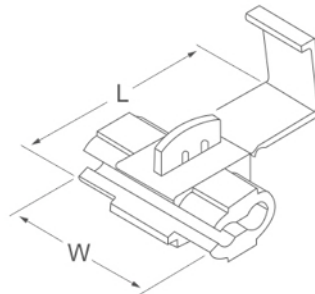
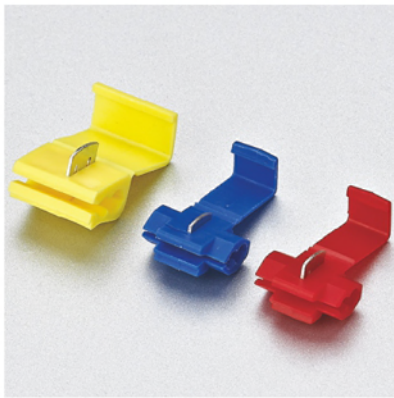


图 Picture: 1

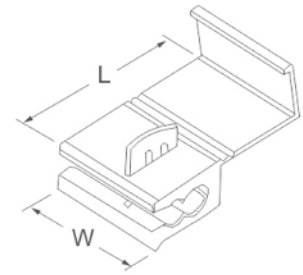


图 Picture: 2

型号 ITEM NO.	导线截面 A.W.G mm ²	尺寸 DIMENSION mm		包装 PCS/ PACK	颜色 COLOR	说明 EXPLANATION
		W	L			
801P3	0.5-1.0 22-18	20.0	27.0	200	● 红 Red	材料: PP Material: PP 图 Picture: 1
802P3	0.75-2.5 18-14	20.0	27.0	200	● 蓝 Blue	材料: PP Material: PP 图 Picture: 1
803P3	4-6 12-10	20.5	34.5	200	● 黄 Yellow	材料: PP Material: PP 图 Picture: 2

快速连接器 Fast Connector

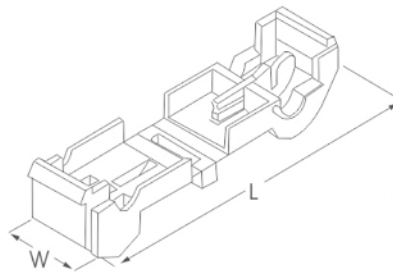


图 Picture: 1

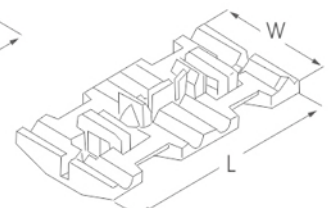
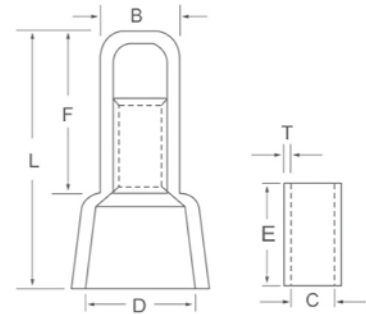


图 Picture: 2

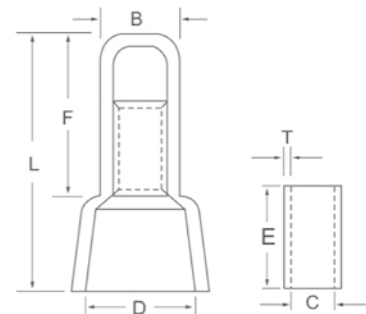
型号 ITEM NO.	导线截面 A.W.G mm ²	尺寸 DIMENSION mm		包装 PCS/ PACK	颜色 COLOR	说明 EXPLANATION
		W	L			
87806	0.5-1.0 22-18	9.8	37.0	200	● 红 Red	材料: 尼龙(PA66) Material: Nylon(PA66) 图 Picture: 1
87816	0.75-2.5 18-14	9.8	37.0	200	● 蓝 Blue	材料: 尼龙(PA66) Material: Nylon(PA66) 图 Picture: 1
87826	4-6 12-10	9.8	37.0	200	● 黄 Yellow	材料: 尼龙(PA66) Material: Nylon(PA66) 图 Picture: 1
87808	0.5-1.0 22-18	35	34.0	200	● 红 Red	材料: 尼龙(PA66) Material: Nylon(PA66) 图 Picture: 2

终端绝缘接头 Closed End Connector



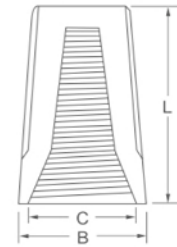
型号 ITEM NO.	STUD SIZE 螺栓口直径 美制螺栓号	尺寸 DIMENSION mm						包装 PCS/PACK	颜色 COLOR
	mm ² (A.W.G.)	B	L	F	D	T	C		
CE1.25	0.5-1.5(22-16)	4.5	18.0	10.0	5.5	0.5	2.3	1000	○ 白 White
CE2	1.5-2.5(16-14)	5.0	19.8	11.0	7.5	0.45	3.1	1000	
CE5.5	4-6(12-10)	7.0	25.0	14.0	10.0	0.7	4.0	500	
CE8	6-10(8)	9.5	30.0	19.0	12.0	1.25	4.4	500	

终端绝缘接头 Closed End Connector



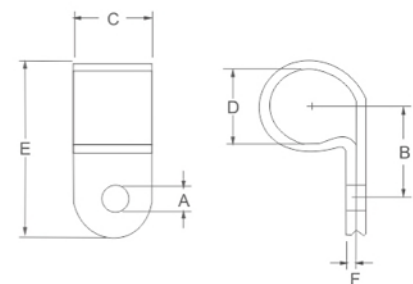
型号 ITEM NO.	STUD SIZE 螺栓口直径 美制螺栓号	尺寸 DIMENSION mm						包装 PCS/PACK	颜色 COLOR
	mm ² (A.W.G.)	B	L	F	D	T	C		
CEF2216	0.5-1.5(22-16)	5.0	15.3	6.3	9.0	0.4	2.4	1000	● 红 Red
CEF2214	1.5-2.5(16-14)	5.7	18.3	8.3	9.1	0.4	3.1	1000	● 蓝 Blue
CEF1810	4-6(12-10)	8.0	20.0	10.0	12.0	0.75	4.5	500	● 黄 Yellow

螺旋式压线帽 Wire Nut



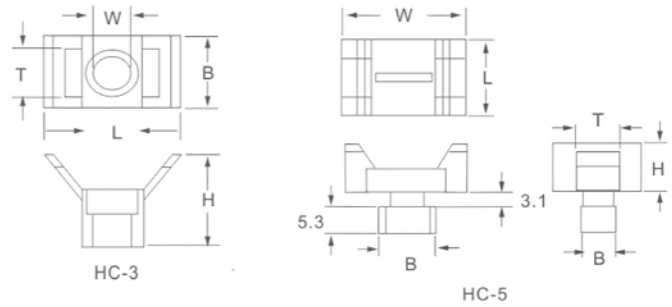
型号 ITEM NO.	尺寸 DIMENSION mm			包装 PCS/ PACK	颜色 COLOR	说明 EXPLANATION
	L	B	C			导线组合范围 CABLE ARRANGE
SP1	15.0	8.5	6.7	1000	● 灰色 Grey	最少0.75x1+0.5x1 最多1.5x2 Min 0.75x1+0.5x1 Max 1.5x2
SP2	17.5	10.1	7.4	1000	● 蓝色 Blue	最少0.75x3 最多1.5x3 Min 0.75x3 Max 1.5x3
SP3	22.1	12.6	9.9	500	● 橘黄色 Orange	最少0.75x3 最多1.5x3+1x1 Min 0.75x3 Max 1.5x3+1x1
SP4	24.5	13.7	11.0	500	● 黄色 Yellow	最少0.25x1+0.75x1 最多2.5x4+0.75x1 Min 0.25x1+0.75x1 Max 2.5x4+0.75x1
SP6	26.5	16.0	12.7	500	● 红色 Red	最少0.25x2 最多6x2+4x2 Min 0.25x2 Max 6x2+4x2
SP8	32.2	18.3	12.8	500	● 灰色 Grey	最少4x3 最多6x4 Min 4x3 Max 6x4

配线固定纽 Cable Clamp



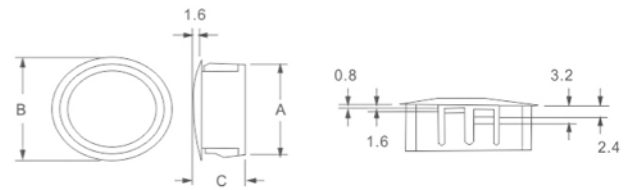
型号 ITEM NO.	尺寸 DIMENSION mm						包装 PCS/PACK	颜色 COLOR
	螺丝孔A	B	C	束径D	E	F		
UC-0	4.6	9.5	9.6	3.2 ^(1/8) 1分	19.8	1.4	1000	○ 白 White
UC-0.5	4.6	10.5	9.6	4.8 ^(3/16) 分半	19.8	1.4	1000	
UC-1	4.6	10.0	10.0	6.35 ^(1/4) 2分	20.0	1.4	1000	
UC-1.5	4.6	12.0	10.0	7.9 ^(5/16) 2分半	22.0	1.5	1000	
UC-2	4.6	12.5	12.0	9.5 ^(3/8) 3分	24.0	1.5	500	
UC-3	4.6	15.2	12.0	12.7 ^(1/2) 4分	31.0	1.5	500	
UC-4	4.6	18.2	12.0	15.8 ^(5/8) 5分半	34.3	1.5	500	
UC-5	4.6	18.2	12.0	19.4 ^(3/4) 6分	35.0	1.5	500	
UC-6	4.6	22.0	12.0	25.4 ⁽¹⁾ 1吋	43.0	1.8	100	
UC-6.5	4.6	24.0	12.0	27.5 ^(1 1/16)	50.0	1.8	100	
UC-7	4.6	26.2	12.0	31.8 ^(1 1/4) 1吋2分	46.2	1.8	100	
UC-9	4.6	30.0	12.0	36.7 ^(1 1/2) 1吋4分	50.0	1.8	100	

扎带固定座 Tie Mount



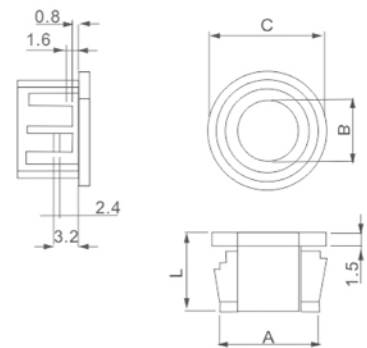
型号 ITEM NO.	尺寸 DIMENSION mm					包装 PCS/PACK	颜色 COLOR
	高 H	长 L	固定孔 W	带孔 W	宽 B		
HC-0	5.0	19.6	3.7	5.2	9.5	1000	○ 白 White ● 黑 Black
HC-0L	5.0	19.0	5.2	5.0	9.5	1000	
HC-0R	6.2	19.1	4.2	5.2	10.0	1000	
HC-1	7.0	15.0	3.5	5.1	10.0	1000	
HC-1S	5.8	12.8	3.3	4.0	7.0	1000	
HC-2S	9.0	23.0	5.0	9.0	16.0	500	
HC-2	9.0	23.0	6.0	9.0	16.0	500	
HC-2L	9.0	23.0	6.5	9.0	16.0	500	
HC-3	17.5	23.0	5.3	9.5	13.8	500	
HC-4	11.6	30.0	5.2	9.3	14.7	500	
HC-5	9.7	21.3	5.8x9.7	7.8	15.5	500	

扣式塞头 Hole Plug



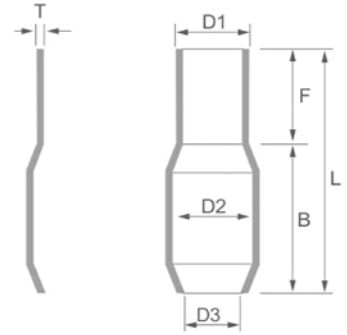
型号 ITEM NO.	尺寸 DIMENSION mm			包装 PCS/PACK	颜色 COLOR
	面板孔径 A	覆盖外径 B	高度 C		
HP-5	4.5	6.3	5.9	1000	● 黑 Black ○ 白 White ● 灰色 Grey
HP-8	7.8	11.9	8.0	500	
HP-10	9.5	13.0	10.5	500	
HP-13	12.7	16.9	10.5	500	
HP-16	15.9	19.8	10.5	200	
HP-19	19.0	22.9	10.5	200	
HP-22	22.2	25.8	11.3	200	
HP-25	25.0	29.0	11.5	200	
HP-30	30.0	34.2	11.5	100	
HP-38	37.1	42.4	11.2	100	
HP-45	44.5	49.1	11.1	100	

扣式护线套 Cable Snap



型号 ITEM NO.	尺寸 DIMENSION mm				包装 PCS/PACK	颜色 COLOR
	铁板孔径 A	最大孔径 C	覆盖 C	高度 L		
SB-8	7.8	5.2	9.4	9.4	500	● 黑 Black ○ 白 White ● 灰色 Grey
SB-10	9.5	6.3	12.0	12.0	500	
SB-13	12.7	8.0	14.2	14.2	500	
SB-16	15.9	12.7	18.6	18.6	200	
SB-19	19.0	14.3	21.7	21.7	200	
SB-22	22.2	17.5	24.2	24.2	200	
SB-26	25.5	19.1	28.5	28.5	200	
SB-30	30.0	24.1	33.3	33.3	100	

绝缘软套管
Soft Sleeve



型号 ITEM NO.	尺寸 DIMENSION mm							包装 PCS/ PACK	颜色 COLOR
	D1	D2	D3	L	F	B	T		
V 1.25	3.8	3.3	3.1	13.0	6.0	7.0	0.6	1000	<ul style="list-style-type: none"> ● 灰色 Grey ● 蓝色 Blue ● 橘黄色 Orange ● 黄色 Yellow ● 红色 Red ● 绿色 Green ● 黑色 Black
V 2	3.3	4.5	3.7	15.0	7.0	7.0	0.7	1000	
V 3.5	4.2	5.7	4.1	20.0	9.0	8.0	0.8	1000	
V 5.5	4.8	5.7	5.2	20.0	9.0	8.0	0.8	500	
V 8	6.2	7.2	6.2	20.0	10.0	9.0	1.0	500	
V 14	7.5	10.0	8.0	27.0	14.0	11.0	1.1	200	
V 22	10.5	12.0	9.5	30.0	15.0	15.0	1.2	200	
V 38	12.5	14.0	11.8	36.0	17.5	16.5	1.5	100	
V 60	15.0	16.8	13.5	39.0	20.0	19.0	1.5	100	
V 70	16.0	17.5	14.5	43.0	22.0	20.0	1.5	50	
V 80	17.0	19.0	16.0	47.0	25.0	22.0	1.5	50	
V 100	19.0	22.0	18.0	54.0	30.0	24.0	1.6	50	
V 125	21.0	24.0	20.0	57.0	32.0	25.0	1.7	50	
V 150	23.0	24.5	22.0	65.0	35.0	30.0	1.8	25	
V 200	27.0	32.0	24.0	65.0	35.0	30.0	2.0	20	
V 240	29.0	38.0	26.5	77.0	35.0	39.0	2.0	20	
V 325	29.0	38.0	29.0	77.0	37.0	40.0	2.5	20	
V 400	42.0	45.0	36.0	85.0	46.0	41.0	2.5	10	
V 500	46.0	48.0	40.0	88.0	46.0	42.0	2.5	10	
V 630	52.0	54.0	44.0	92.0	50.0	47.0	2.5	10	

- 本手册中图片、技术说明可能与实际有所不同, 请以产品实物和使用说明书为准。产品种类繁多, 未能一一尽录, 详情请向我公司销售部或当地经销商查询。
- 我公司保留为产品技术进步、升级所作改动的权利, 如有改动, 恕不另行通知。版权所有, 未经许可, 任何单位或个人不得作全部或局部翻印、转载。
- The pictures and technical descriptions in this manual may be different from the actual ones, please refer to the actual product and the instruction manual. There are so many kinds of products that cannot be listed all of them. For details, please contact our sales department or local distributors.
- Our company reserves the right to make changes for product technological progress and upgrades. Any changes will be made without notice. All rights reserved. Without permission, no unit or individual may reprint or reprint in whole or in part.



浙江雷欣特科技有限公司

ZHEJIANG LEIXINTE TECHNOLOGY CO.,LTD.

地址: 浙江省乐清市北白象镇南岙工业区10号

Add: No.10 Nanao Industrial Station, Beibaixiang,
Yueqing, ZheJiang, China

电话Tel: +86 13868300011

传真Fax: 0577-62855095

Http: //www.leixinte.cn

E-mail: sales@leixinte.cn

